



Chipsmall Limited consists of a professional team with an average of over 10 year of expertise in the distribution of electronic components. Based in Hongkong, we have already established firm and mutual-benefit business relationships with customers from,Europe,America and south Asia,supplying obsolete and hard-to-find components to meet their specific needs.

With the principle of “Quality Parts,Customers Priority,Honest Operation,and Considerate Service”,our business mainly focus on the distribution of electronic components. Line cards we deal with include Microchip,ALPS,ROHM,Xilinx,Pulse,ON,Everlight and Freescale. Main products comprise IC,Modules,Potentiometer,IC Socket,Relay,Connector.Our parts cover such applications as commercial,industrial, and automotives areas.

We are looking forward to setting up business relationship with you and hope to provide you with the best service and solution. Let us make a better world for our industry!



## Contact us

Tel: +86-755-8981 8866 Fax: +86-755-8427 6832

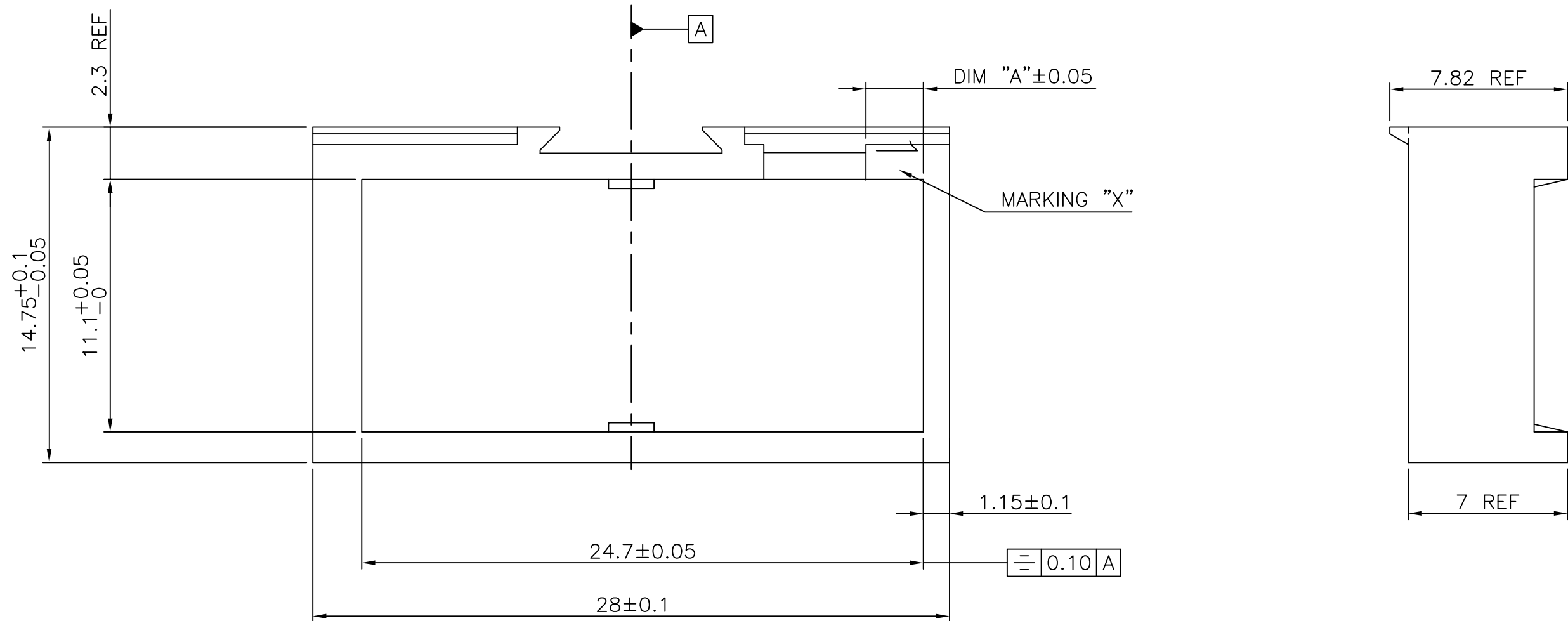
Email & Skype: info@chipsmall.com Web: www.chipsmall.com

Address: A1208, Overseas Decoration Building, #122 Zhenhua RD., Futian, Shenzhen, China



PRODUCT NUMBER	COLOR	MARKING "X"	DIM "A"
65184-001	BLACK	1	2.53
65184-004	BLACK	4	17.95
65184-011	GREY	1	2.53
65184-014	GREY	4	17.95

MATERIAL: MODIFIED POLYPHENYLENE OXYDE  
 FLAME RETARDANT PER UL 94 V1  
 COLOR: BLACK OR GREY.



NOTES:-

1. THIS PRODUCT MEETS EUROPEAN UNION DIRECTIVES AND OTHER COUNTRY REGULATIONS AS DESCRIBED IN GS-22-008.
2. LEADFREE OR RoHS DIRECTIVE LABELLING TO BE PROVIDED AS PER GS-14-920.
3. " LF " SUFFIX TO PRODUCT NUMBER FOR RoHS COMPATIBLE/ LEADFREE VERSION.
4. PARTS WITH AND WITHOUT "LF " SUFFIX ARE FORM-FIT AND FUNCTIONALLY IDENTICAL. " LF " SUFFIX PROVIDED FOR PART NUMBER STANDARDISATION OF PART THAT MEETS RoHS REQUIREMENTS.

mat'l. code SEE NOTE				surface ISO 1302 <input checked="" type="checkbox"/> ISO 406 ISO 1101		tolerance ISO 406 ISO 1101		projection 		product family BACKPANEL			
ltr	ecn no	dr	date	tolerances unless otherwise specified		mm		mm		title LOCKING FRAME 1 MODULE			
E	H10092	HVS	1991-04-01	angles	linear	mm		mm		dwg no 65184			
F	F00406	LLA	2000-05-22			mm		mm		sheet 1 of 1		size A3	
G	F10138	GCO	2001-02-08			mm		mm		type Product Customer Drawing			
H	I05-0042	MINI	2005-03-17	dr	G.CORBOZ	2001-02-08		mm					
J	I05-0248	MINI	2005-11-22	enr	J.F.NOTTEAU	2001-02-08		mm					
K	I06-0068	MINI	2006-06-01	chr	RAKHEE GEORGE	2006-06-01		mm					
sheet index		revision	K										
		sheet	1										



Copyright FCI