



Chipsmall Limited consists of a professional team with an average of over 10 year of expertise in the distribution of electronic components. Based in Hongkong, we have already established firm and mutual-benefit business relationships with customers from,Europe,America and south Asia,supplying obsolete and hard-to-find components to meet their specific needs.

With the principle of “Quality Parts,Customers Priority,Honest Operation,and Considerate Service”,our business mainly focus on the distribution of electronic components. Line cards we deal with include Microchip,ALPS,ROHM,Xilinx,Pulse,ON,Everlight and Freescale. Main products comprise IC,Modules,Potentiometer,IC Socket,Relay,Connector.Our parts cover such applications as commercial,industrial, and automotives areas.

We are looking forward to setting up business relationship with you and hope to provide you with the best service and solution. Let us make a better world for our industry!



Contact us

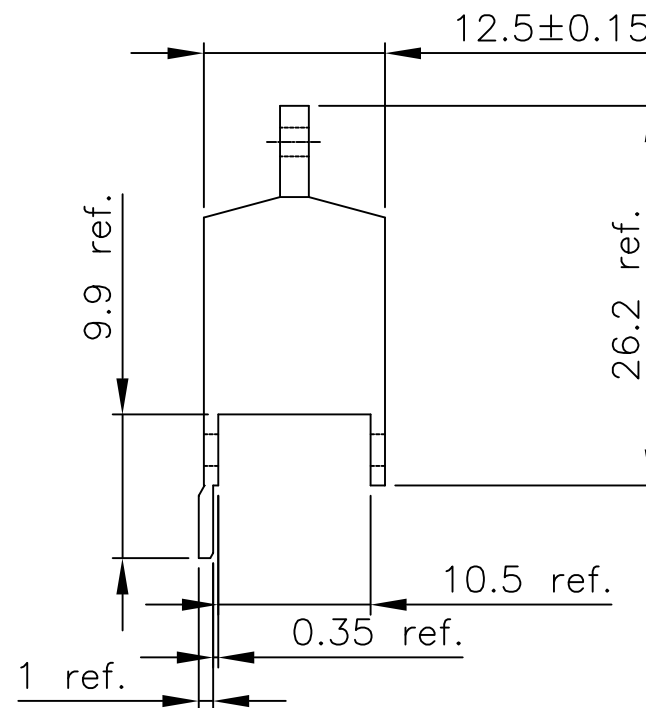
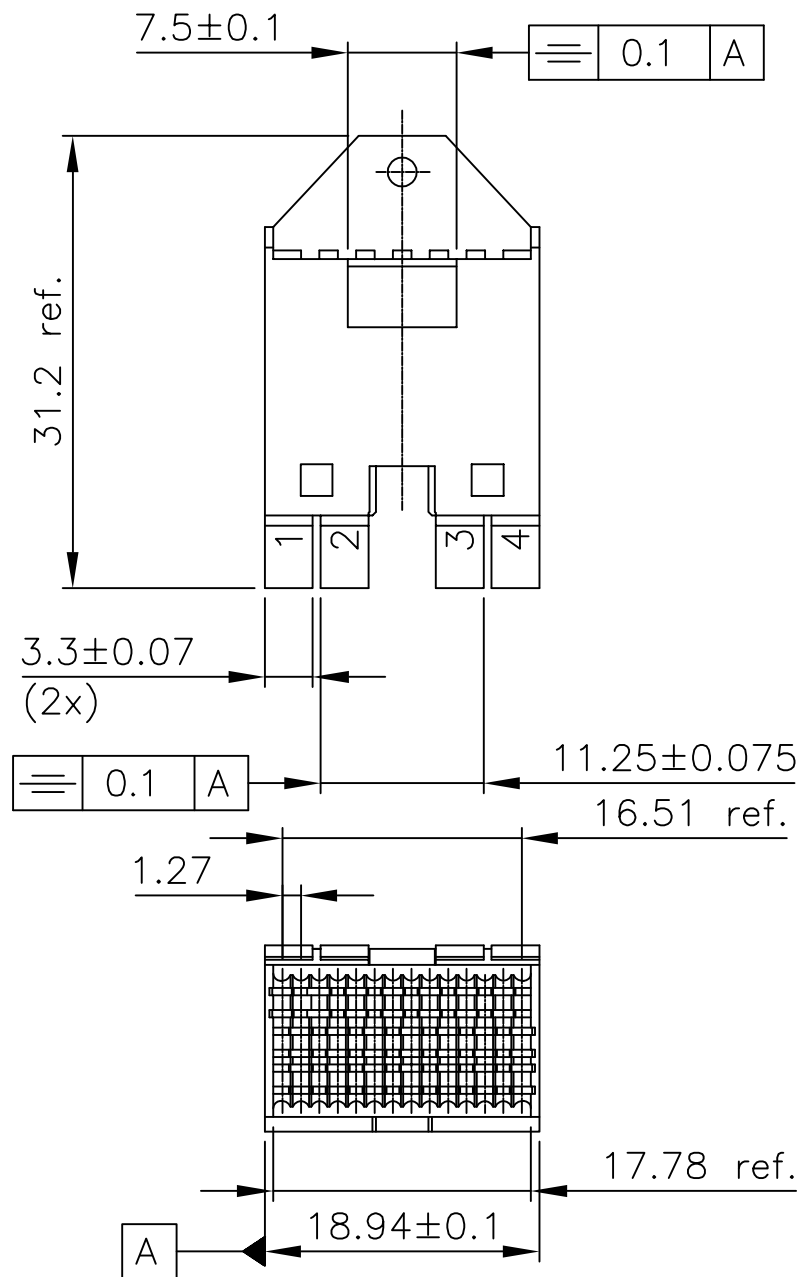
Tel: +86-755-8981 8866 Fax: +86-755-8427 6832

Email & Skype: info@chipsmall.com Web: www.chipsmall.com

Address: A1208, Overseas Decoration Building, #122 Zhenhua RD., Futian, Shenzhen, China



PRODUCT NUMBER	COLOUR	REMARKS
65190-001	BLACK	
65190-002	GREY	NON STANDARD



NOTES:-

1. THIS PRODUCT MEETS EUROPEAN UNION DIRECTIVES AND OTHER COUNTRY REGULATIONS AS DESCRIBED IN GS-22-008.
2. LEADFREE OR RoHS DIRECTIVE LABELLING TO BE PROVIDED AS PER GS-14-920.
3. " LF " SUFFIX TO PRODUCT NUMBER FOR RoHS COMPATIBLE/ LEADFREE VERSION.
4. PARTS WITH AND WITHOUT "LF " SUFFIX ARE FORM-FIT AND FUNCTIONALLY IDENTICAL. " LF " SUFFIX PROVIDED FOR PART NUMBER STANDARDISATION OF PART THAT MEETS RoHS REQUIREMENTS.

Notes:

1. Material: Thermoplastic polyester, 30% glass filled flame retardant per UL-94-V0, colour see table

mat'l. code see note		surface ISO 1302 ✓	tolerance ISO 406 ISO 1101	projection mm	product family
ltr	ecn no	dr	date	tolerances unless otherwise specified	title
D	H20812	MVI	921218	angles linear	PIERCE COVER 3x7 positions
E	I05-0123	MINI	05.07.27		
F	I05-0248	MINI	05.11.22		
		dr	M. Visschers	921218	dwg no
		engr			sheet 1 of 1
		chr	Rakhee George	05.11.22	size
		app	Rakhee George	05.11.22	A3
sheet index	revision sheet	F			type
	1				CUSTOMER Drawing