



Chipsmall Limited consists of a professional team with an average of over 10 year of expertise in the distribution of electronic components. Based in Hongkong, we have already established firm and mutual-benefit business relationships with customers from,Europe,America and south Asia,supplying obsolete and hard-to-find components to meet their specific needs.

With the principle of "Quality Parts,Customers Priority,Honest Operation,and Considerate Service",our business mainly focus on the distribution of electronic components. Line cards we deal with include Microchip,ALPS,ROHM,Xilinx,Pulse,ON,Everlight and Freescale. Main products comprise IC,Modules,Potentiometer,IC Socket,Relay,Connector.Our parts cover such applications as commercial,industrial, and automotives areas.

We are looking forward to setting up business relationship with you and hope to provide you with the best service and solution. Let us make a better world for our industry!



## Contact us

Tel: +86-755-8981 8866 Fax: +86-755-8427 6832

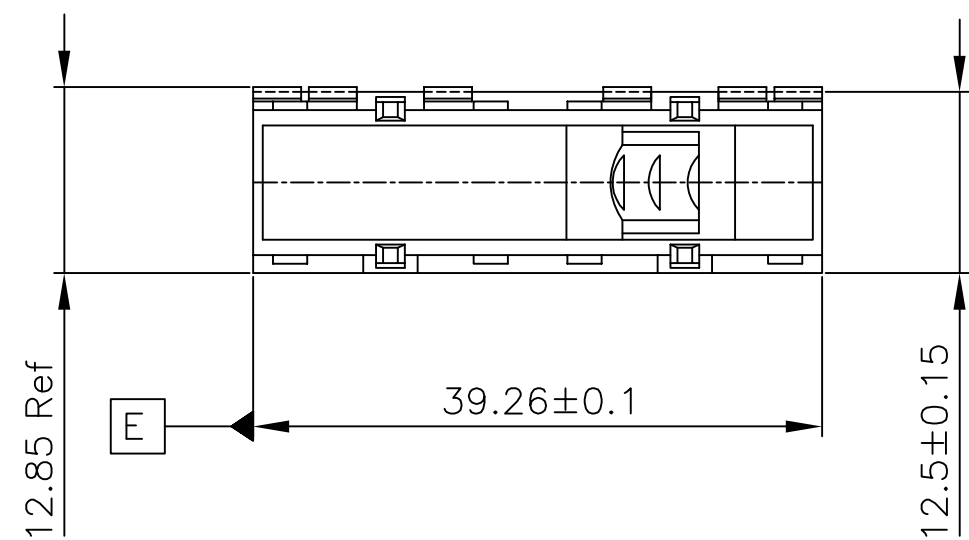
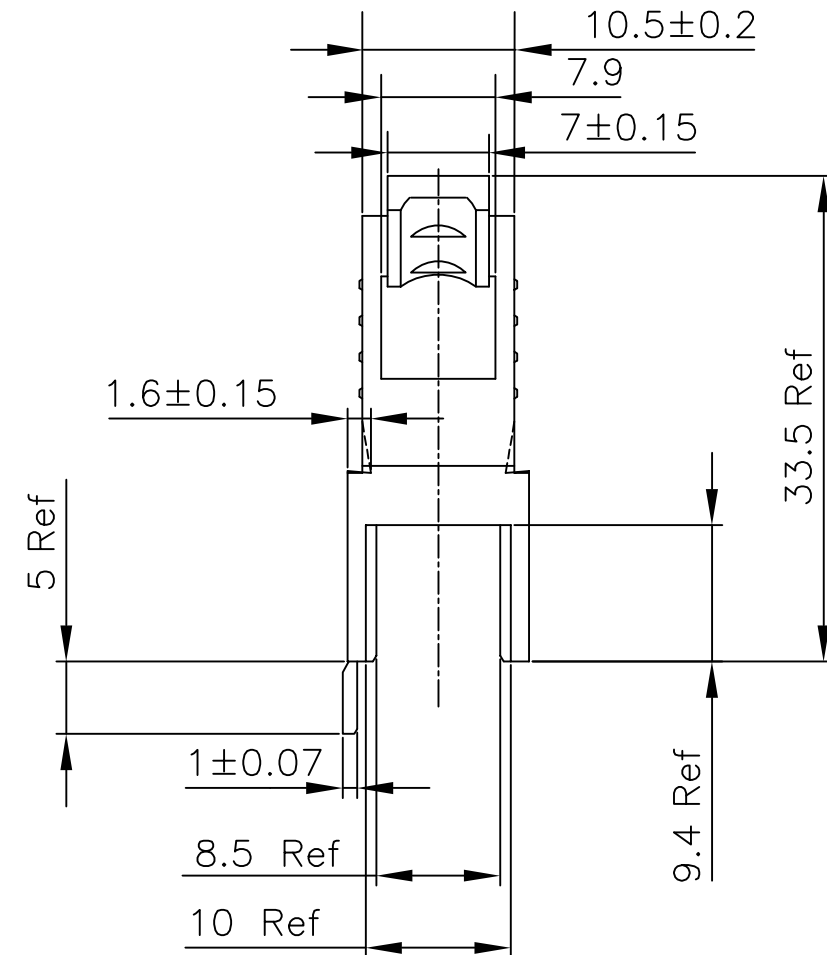
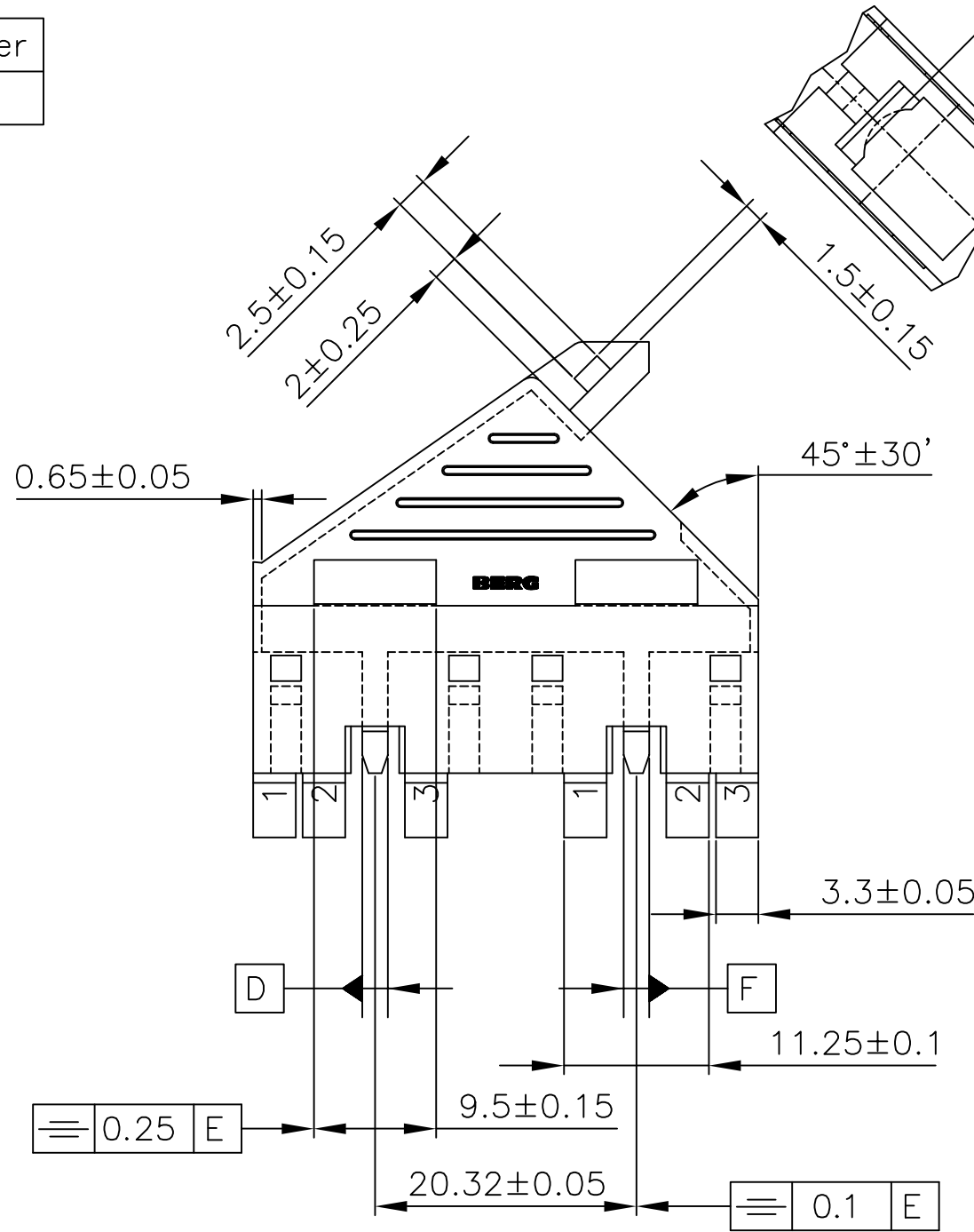
Email & Skype: info@chipsmall.com Web: www.chipsmall.com

Address: A1208, Overseas Decoration Building, #122 Zhenhua RD., Futian, Shenzhen, China



Product number  
65200-001

Material: Thermoplastic polyester, 30% Glassfilled  
Colour: Black; UL-94-V0



NOTES:-

1. THIS PRODUCT MEETS EUROPEAN UNION DIRECTIVES AND OTHER COUNTRY REGULATIONS AS DESCRIBED IN GS-22-008.
2. LEADFREE OR RoHS DIRECTIVE LABELLING TO BE PROVIDED AS PER GS-14-920.
3. " LF " SUFFIX TO PRODUCT NUMBER FOR RoHS COMPATIBLE/ LEADFREE VERSION.
4. PARTS WITH AND WITHOUT "LF" SUFFIX ARE FORM-FIT AND FUNCTIONALLY IDENTICAL. " LF " SUFFIX PROVIDED FOR PART NUMBER STANDARDISATION OF PART THAT MEETS RoHS REQUIREMENTS.

mat'l. code		surface		tolerance		projection		product family		
See note		ISO 1302		ISO 406		ISO 1101		Backpanel		
ltr	ecn no	dr	date	tolerances unless otherwise specified		mm		title		
B	BNL4180	LNA	821119	angles	linear	mm		2x3x7 pos..		
C	H40359	AO	940530			scale 2:1		COVER		
D	H40431	DDB	940705					dwg no		
E	H40762	DDB	941128	dr	Oppers.A	940530	sheet 1 of 1		size	
F	H40711	RVI	950206	engr	Loman.M	940530	65200		A3	
G	05-0123	MINI	05.07.27	chr	Rakhee George	05.11.22	type		CUSTOMER Drawing	
H	05-0248	MINI	05.11.22	app	Rakhee George	05.11.22				
sheet index	revision sheet	H	1							



Copyright FCI