



Chipsmall Limited consists of a professional team with an average of over 10 year of expertise in the distribution of electronic components. Based in Hongkong, we have already established firm and mutual-benefit business relationships with customers from,Europe,America and south Asia,supplying obsolete and hard-to-find components to meet their specific needs.

With the principle of “Quality Parts,Customers Priority,Honest Operation,and Considerate Service”,our business mainly focus on the distribution of electronic components. Line cards we deal with include Microchip,ALPS,ROHM,Xilinx,Pulse,ON,Everlight and Freescale. Main products comprise IC,Modules,Potentiometer,IC Socket,Relay,Connector.Our parts cover such applications as commercial,industrial, and automotives areas.

We are looking forward to setting up business relationship with you and hope to provide you with the best service and solution. Let us make a better world for our industry!



Contact us

Tel: +86-755-8981 8866 Fax: +86-755-8427 6832

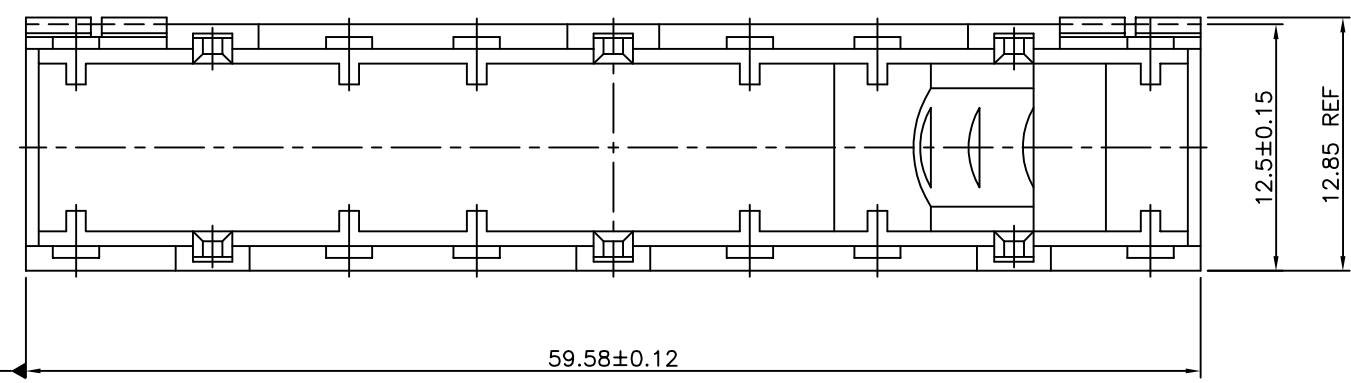
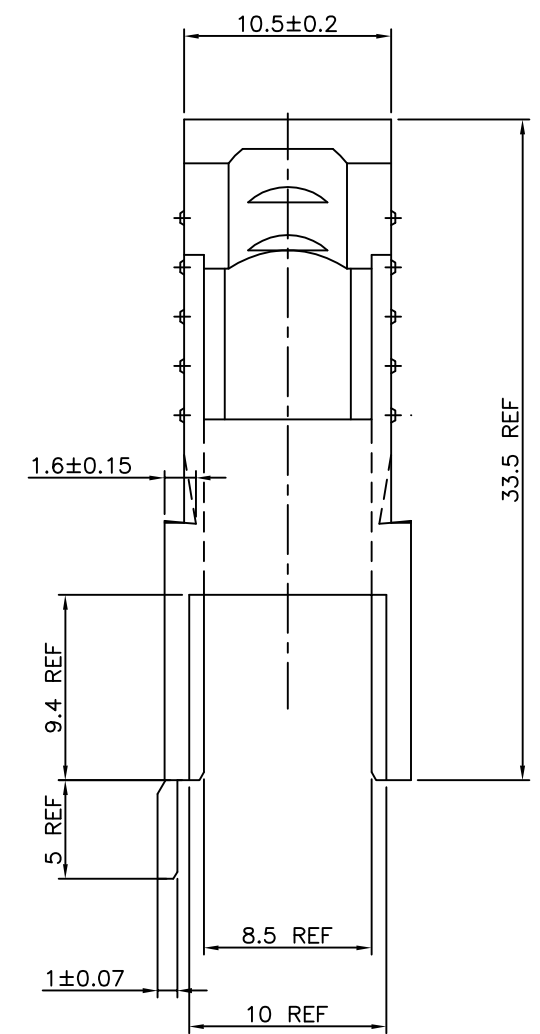
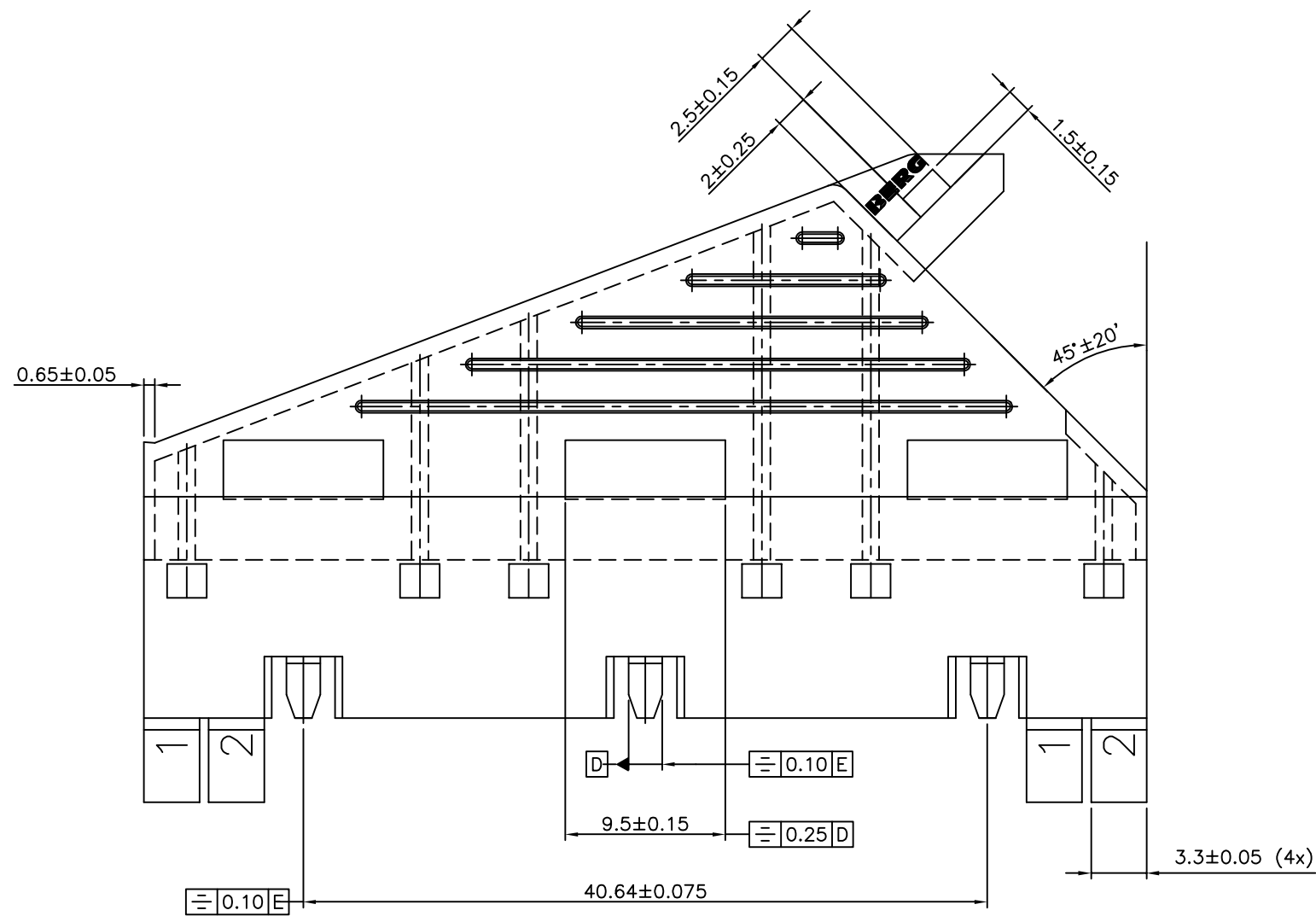
Email & Skype: info@chipsmall.com Web: www.chipsmall.com

Address: A1208, Overseas Decoration Building, #122 Zhenhua RD., Futian, Shenzhen, China



PRODUCT NUMBER 65203-001

MATERIAL: THERMOPLASTIC POLYESTER, 30% GLASSFILLED.
 COLOR: BLACK. FLAMMABILITY: UL 94 V-0.



NOTES:-

1. THIS PRODUCT MEETS EUROPEAN UNION DIRECTIVES AND OTHER COUNTRY REGULATIONS AS DESCRIBED IN GS-22-008.
2. LEADFREE OR RoHS DIRECTIVE LABELLING TO BE PROVIDED AS PER GS-14-920.
3. " LF " SUFFIX TO PRODUCT NUMBER FOR RoHS COMPATIBLE/ LEADFREE VERSION.
4. PARTS WITH AND WITHOUT "LF " SUFFIX ARE FORM-FIT AND FUNCTIONALLY IDENTICAL. " LF " SUFFIX PROVIDED FOR PART NUMBER STANDARDISATION OF PART THAT MEETS RoHS REQUIREMENTS.

mat'l. code		surface		tolerance		projection		product family		
SEE NOTE		ISO 1302		ISO 406 ISO 1101		mm		BACKPANEL		
ltr	ecn no	dr	date	tolerances unless otherwise specified		mm		title		
B	F00406	LLA	2000-05-22	angles	linear	mm		COVER 3 MOD		
C	F10143	GCO	2001-02-14			mm		3 ROW CABLE CNR-POL		
D	I05-0123	MINI	2005-07-27			scale -		dwg no		
E	I05-0248	MINI	2005-11-22	dr	G.CORBOZ	2001-02-14		sheet 1 of 1		
F	I06-0068	MINI	2006-206-01	engr	J.F.NOTTEAU	2001-02-14		size		
				chr	RAKHEE GEORGE	2006-06-01		A3		
				appd	RAKHEE GEORGE	2006-06-01		type		
sheet index		revision	F							
		sheet	1							



Copyright FCI