



Chipsmall Limited consists of a professional team with an average of over 10 year of expertise in the distribution of electronic components. Based in Hongkong, we have already established firm and mutual-benefit business relationships with customers from,Europe,America and south Asia,supplying obsolete and hard-to-find components to meet their specific needs.

With the principle of “Quality Parts,Customers Priority,Honest Operation,and Considerate Service”,our business mainly focus on the distribution of electronic components. Line cards we deal with include Microchip,ALPS,ROHM,Xilinx,Pulse,ON,Everlight and Freescale. Main products comprise IC,Modules,Potentiometer,IC Socket,Relay,Connector.Our parts cover such applications as commercial,industrial, and automotives areas.

We are looking forward to setting up business relationship with you and hope to provide you with the best service and solution. Let us make a better world for our industry!



Contact us

Tel: +86-755-8981 8866 Fax: +86-755-8427 6832

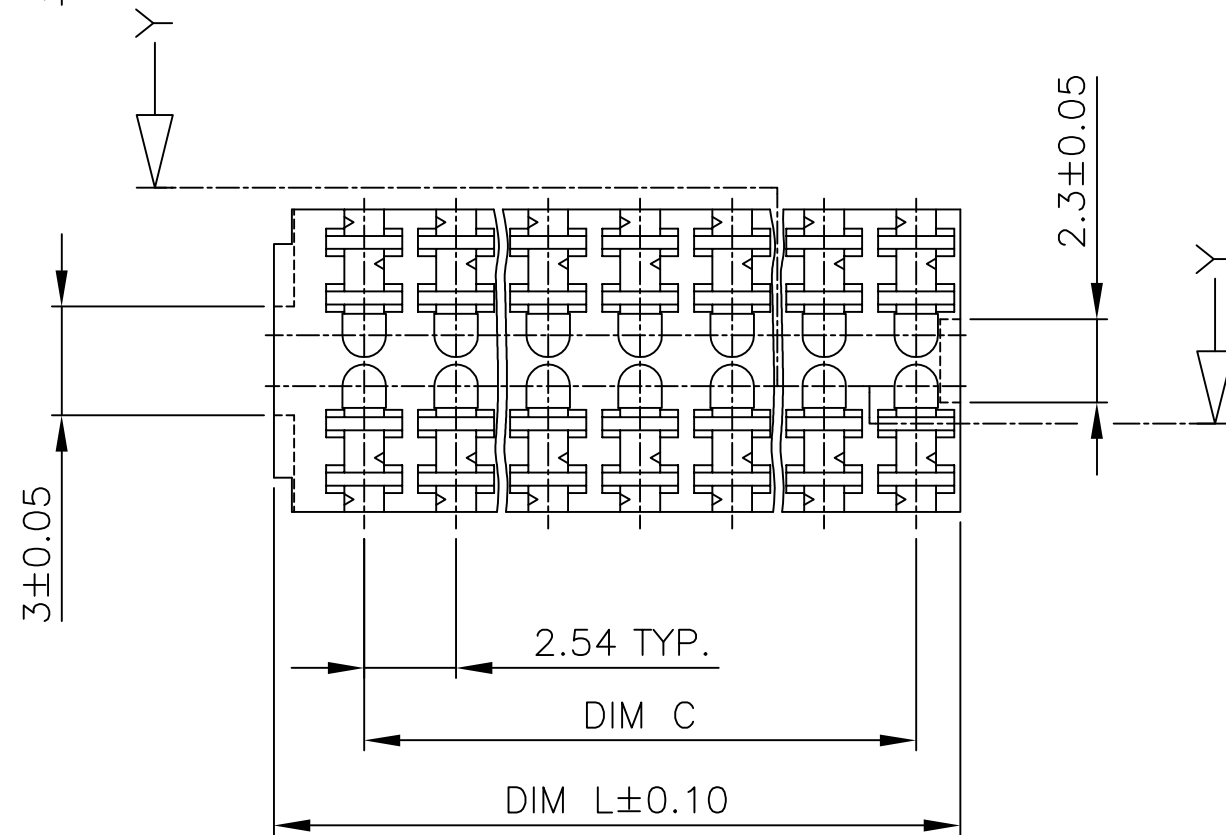
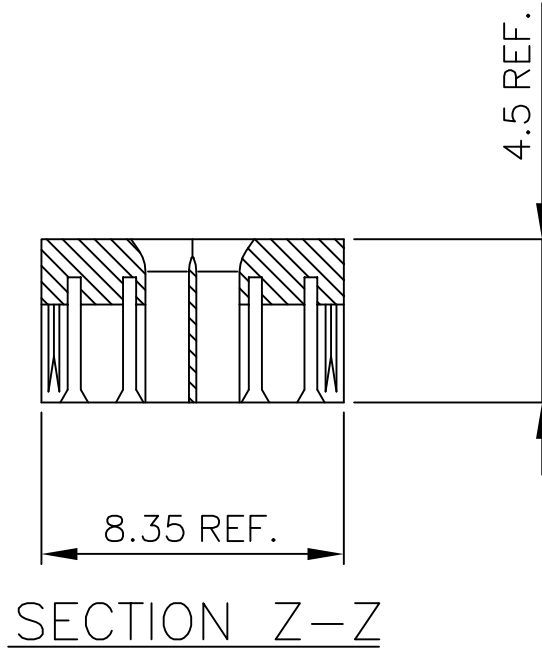
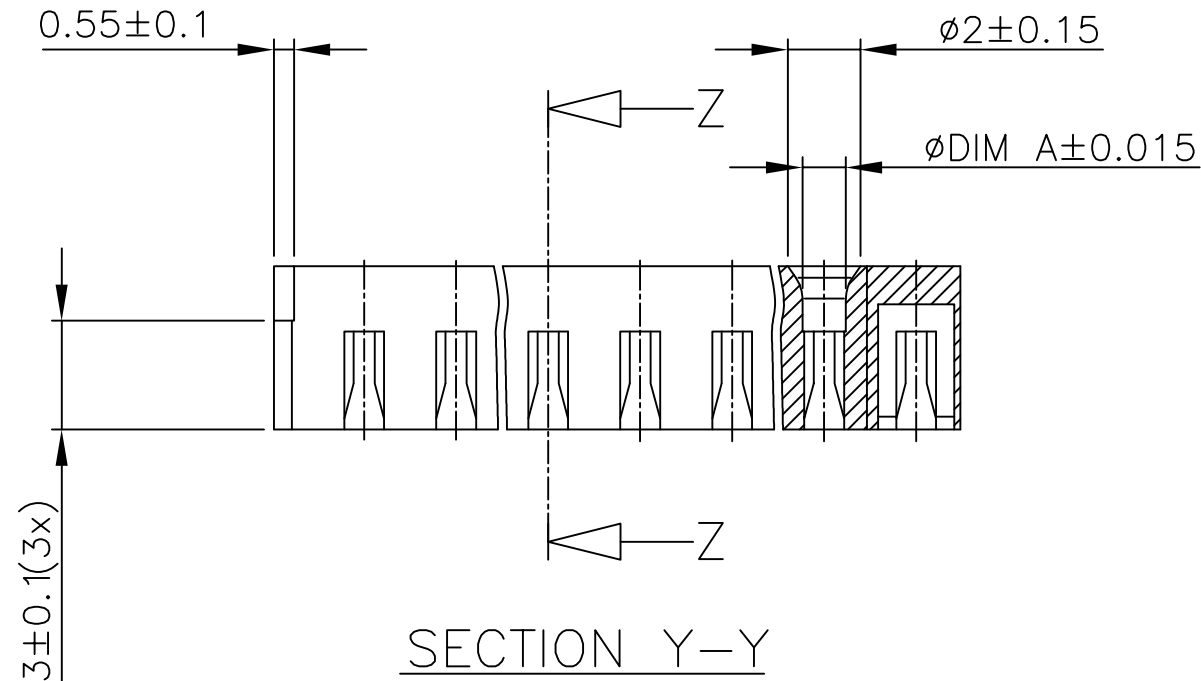
Email & Skype: info@chipsmall.com Web: www.chipsmall.com

Address: A1208, Overseas Decoration Building, #122 Zhenhua RD., Futian, Shenzhen, China



Product number	DIM.A	DIM.C	DIM.L
65213-001	1.20	15.24	18.94
65213-002	1.20	5.08	8.78

MATERIAL: THERMO PLASTIC POLYESTER, 30% GLASS FILLED.
 COLOUR : GREY.
 FLAME RETARDANT PER UL-94-VO.



NOTES:-

1. THIS PRODUCT MEETS EUROPEAN UNION DIRECTIVES AND OTHER COUNTRY REGULATIONS AS DESCRIBED IN GS-22-008.
2. LEADFREE OR RoHS DIRECTIVE LABELLING TO BE PROVIDED AS PER GS-14-920.
3. " LF " SUFFIX TO PRODUCT NUMBER FOR RoHS COMPATIBLE/ LEADFREE VERSION.
4. PARTS WITH AND WITHOUT "LF " SUFFIX ARE FORM-FIT AND FUNCTIONALLY IDENTICAL. " LF " SUFFIX PROVIDED FOR PART NUMBER STANDARDISATION OF PART THAT MEETS RoHS REQUIREMENTS.

mat'l. code		surface		tolerance		projection		product family		
SEE NOTE 1		ISO 1302		ISO 406		ISO 1101		CABLE CONN. PIERCE BLOCK.20x.10		
ltr	ecm no	dr	date	tolerances unless otherwise specified		mm		title		
D	H20714	JvZ	1992-11-11	angles		mm		CABLE CONN. PIERCE BLOCK.20x.10		
E	I05-0123	MINI	2005-07-27	linear		mm		sheet 1 of 1 size		
F	I05-0248	MINI	2006-11-22			scale 5:1		A3		
G	I06-0068	MINI	2006-06-01	dr	J.v.Zelst	1992-11-11	FCJ		type	
				engr			65213		CUSTOMER Drawing	
				chr	Rakhee George	2006-06-01				
				app	Rakhee George	2006-06-01				
sheet index	revision sheet	G	1							



Copyright FCJ