



Chipsmall Limited consists of a professional team with an average of over 10 year of expertise in the distribution of electronic components. Based in Hongkong, we have already established firm and mutual-benefit business relationships with customers from,Europe,America and south Asia,supplying obsolete and hard-to-find components to meet their specific needs.

With the principle of “Quality Parts,Customers Priority,Honest Operation,and Considerate Service”,our business mainly focus on the distribution of electronic components. Line cards we deal with include Microchip,ALPS,ROHM,Xilinx,Pulse,ON,Everlight and Freescale. Main products comprise IC,Modules,Potentiometer,IC Socket,Relay,Connector.Our parts cover such applications as commercial,industrial, and automotives areas.

We are looking forward to setting up business relationship with you and hope to provide you with the best service and solution. Let us make a better world for our industry!



Contact us

Tel: +86-755-8981 8866 Fax: +86-755-8427 6832

Email & Skype: info@chipsmall.com Web: www.chipsmall.com

Address: A1208, Overseas Decoration Building, #122 Zhenhua RD., Futian, Shenzhen, China

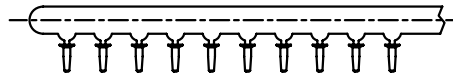


PRODUCT NUMBER

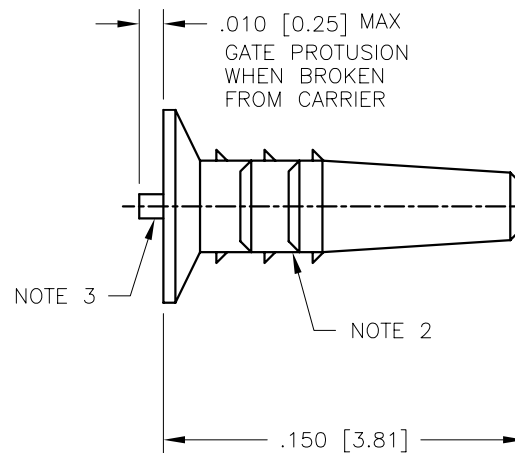
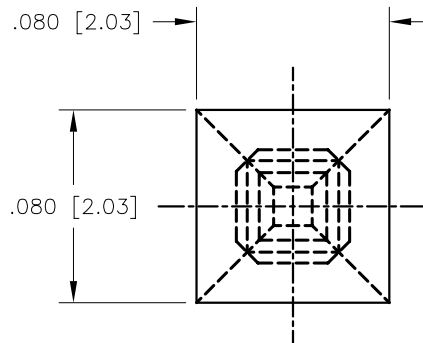
65307-001

OBSOLETE

65307-001LF



MOLDED IN GROUPS OF UP TO 10
ATTACHED TO CARRIER OR LOOSE PIECE.



NOTES :

1. MOLDING MATERIAL: PA6/66, FLAME RETARDANT PER UL 94V-0, COLOR: NATURAL.
2. SERRATED LOCKING SURFACES.
3. PRESS PLUG INTO PIN LEAD-IN OF HOUSING CAVITY MANUALLY.
4. PLUGS WILL FIT ALL MINI-PV™ ROD AND LATCH HOUSINGS. PRODUCT SPECIFICATION: BUS-12-067.
5. PRODUCT MEETS EUROPEAN UNION DIRECTIVES AND OTHER COUNTRY REGULATIONS AS DESCRIBED IN GS-22-008.
6. THE PRODUCT IS NOT INTENDED TO BE EXPOSED TO MANUFACTURING SOLDER PROCESSES.

mat'l. code SEE NOTE 1				surface	tolerance	projection	product family
							PV HOUSINGS
ltr	ec'n no	dr	date	tolerances unless otherwise specified		INCH/MM	title
D	v31683	DAI	1993-09-23	angles	linear		
E	v05-0713	DAI	2005-07-29			scale 1:1	MINI ROD AND LATCH HOUSING POLARIZING PLUG
F	v06-0454	HTB	2006-05-24	0°±2'			
G	v06-0842	HTB	2006-08-22	dr	P. PARSONS	1993-09-23	dwg no 65307
H	v07-0534	HTB	2007-08-23	engr	T. HANNA	1993-09-23	
				chr	T. BREWBAKER	1993-09-23	sheet 1 of 1 size A3
				appd	T. HANNA	1993-09-23	
sheet	revision	H					type Product Customer Drawing
index	sheet	1					



Copyright FCJ