



Chipsmall Limited consists of a professional team with an average of over 10 year of expertise in the distribution of electronic components. Based in Hongkong, we have already established firm and mutual-benefit business relationships with customers from,Europe,America and south Asia,supplying obsolete and hard-to-find components to meet their specific needs.

With the principle of “Quality Parts,Customers Priority,Honest Operation,and Considerate Service”,our business mainly focus on the distribution of electronic components. Line cards we deal with include Microchip,ALPS,ROHM,Xilinx,Pulse,ON,Everlight and Freescale. Main products comprise IC,Modules,Potentiometer,IC Socket,Relay,Connector.Our parts cover such applications as commercial,industrial, and automotives areas.

We are looking forward to setting up business relationship with you and hope to provide you with the best service and solution. Let us make a better world for our industry!



## Contact us

Tel: +86-755-8981 8866 Fax: +86-755-8427 6832

Email & Skype: info@chipsmall.com Web: www.chipsmall.com

Address: A1208, Overseas Decoration Building, #122 Zhenhua RD., Futian, Shenzhen, China

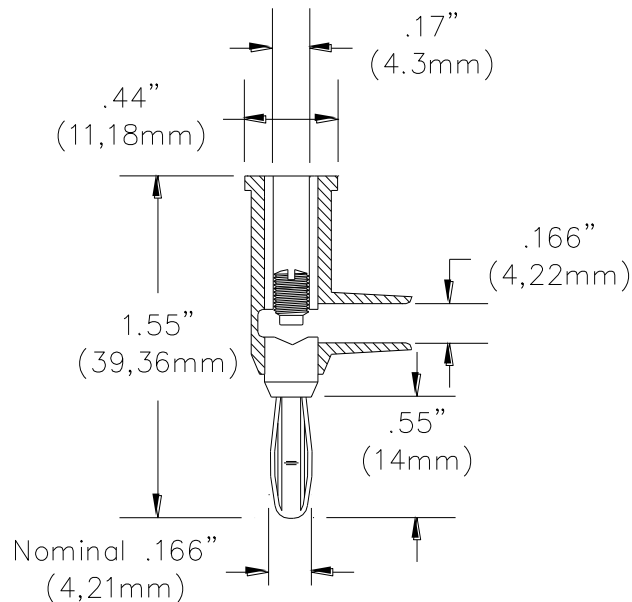


**Model 1825, 4897, 4899, 6545**  
**Standard Banana Plug, Solderless and Stackable**



**Features**

- Designed to fit on the end of any 22 AWG to 18 AWG wire.
- Cross hole wire entry fits wires up to .12" (3mm) diameter.
- Available with tarnish resistant nickel or gold plating for very low contact resistance.
- Model 4899 is rated to temperatures up to +302°F (+150°C).
- Set screw simplifies assembly of test leads and jumpers by using a flat blade screwdriver.
- Fits standard panel and binding post banana jacks .161" to .166" (4,0mm to 4,2mm) diameter.



**Materials**

Banana Jack: Zinc Die Cast, Nickel Plated (Model 4897 is Gold Plated)  
 Banana Plug: *Body* – Zinc Die Cast, Nickel Plated (Model 4897 is Gold Plated)  
                   *Spring* – Beryllium Copper, Nickel Plated (Model 4897 Gold Plated)  
 Insulation: Polypropylene (Model 4899 is Polyphenylene Sulfide)  
 Set Screw: Steel, Zinc Plated, 8-32 Single Slot

**Ratings**

Voltage: For *CE compliance* and for personal safety, do not hold in hand when voltages exceed 30 Vrms/60 Vdc. Maximum voltage for *hands free use* in controlled testing environments: 5000 Vrms Max. Do not use on circuits where transient stresses can exceed the rated voltage.

Current: 15 Amps

Maximum Operating Temperature: +122°F (+50°C) max. (Model 4899: +302°F (+150°C) max.)

**Ordering Information**

Model: 1825-*color* Nickel Plated Banana Plug with Polypropylene Insulation  
*Color*: 0=Black, 1=Brown, 2=Red, 3=Orange, 4=Yellow, 5=Green, 6=Blue, 7=Violet, 8=Gray, 9=White, 02=set of Black and Red  
 Ordering example: 1825-5 (1825 with Green Polypropylene Insulation)

Model: 4897-0 Gold Plated Banana Plug with Polypropylene Black Insulation  
 Model: 4897-2 Gold Plated Banana Plug with Polypropylene Red Insulation  
 Model: 4899-0 Nickel Plated Banana with High Temperature Black Insulation (Polyphenylene Sulfide)  
 Model: 4899-6 Nickel Plated Banana with High Temperature Blue Insulation (Polyphenylene Sulfide)  
 Model: 6545 Package of ten 1325, one of each color.  
 Model: 4914 Replacement Set Screws, package of 100.

USA: Sales: 800-490-2361  
 Technical Support: [technicalsupport@pomonatest.com](mailto:technicalsupport@pomonatest.com)  
 Fax: 425-446-5844

Europe: 31-(0) 40 2675 150 International: 425-446-5500  
 Where to Buy: [www.pomonaelectronics.com](http://www.pomonaelectronics.com)

All dimensions are in inches. Tolerances (except noted): .xx = ±.02" (.51 mm), .xxx = ±.005" (.127 mm). All specifications are to the latest revisions. Specifications are subject to change without notice. Registered trademarks are the property of their respective companies.