



Chipsmall Limited consists of a professional team with an average of over 10 year of expertise in the distribution of electronic components. Based in Hongkong, we have already established firm and mutual-benefit business relationships with customers from,Europe,America and south Asia,supplying obsolete and hard-to-find components to meet their specific needs.

With the principle of "Quality Parts,Customers Priority,Honest Operation,and Considerate Service",our business mainly focus on the distribution of electronic components. Line cards we deal with include Microchip,ALPS,ROHM,Xilinx,Pulse,ON,Everlight and Freescale. Main products comprise IC,Modules,Potentiometer,IC Socket,Relay,Connector.Our parts cover such applications as commercial,industrial, and automotives areas.

We are looking forward to setting up business relationship with you and hope to provide you with the best service and solution. Let us make a better world for our industry!



Contact us

Tel: +86-755-8981 8866 Fax: +86-755-8427 6832

Email & Skype: info@chipsmall.com Web: www.chipsmall.com

Address: A1208, Overseas Decoration Building, #122 Zhenhua RD., Futian, Shenzhen, China

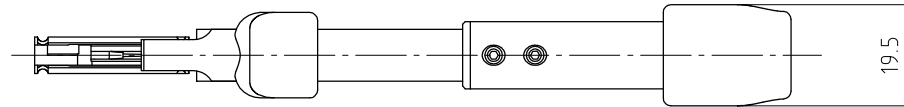
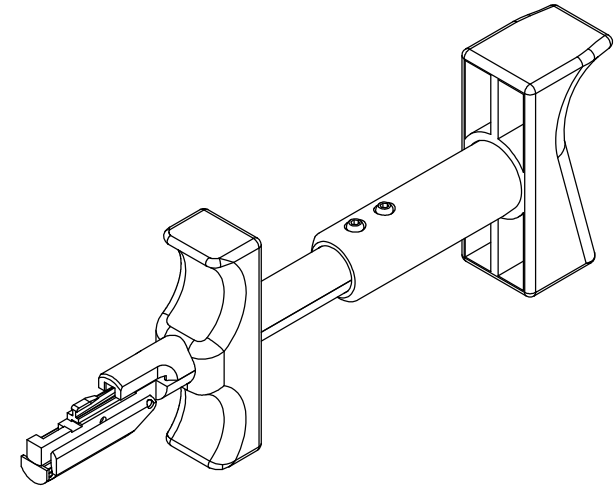
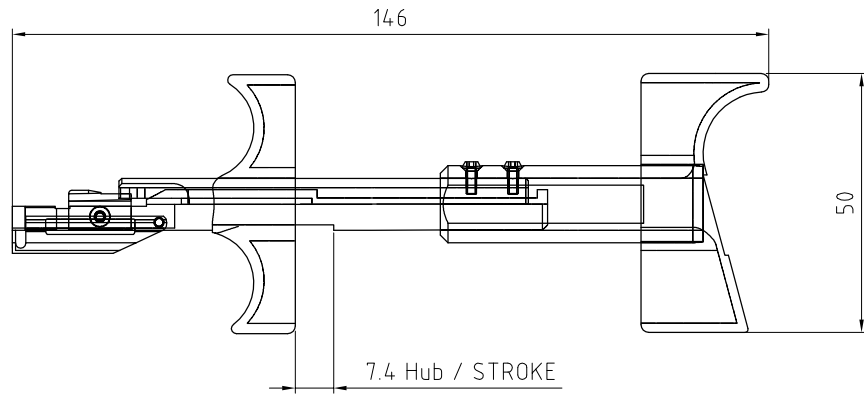


THIS DRAWING IS UNPUBLISHED.

RELEASED FOR PUBLICATION

© COPYRIGHT - BY TYCO ELECTRONICS CORPORATION. ALL INTERNATIONAL RIGHTS RESERVED.

LDC		DIST		REVISIONS			
P	LTR	DESCRIPTION		DATE	DWN	APVD	
	E	ECR-11-017476		23AUG11	MS	TW	



Mandrels: 654633-1 AWG24/20

Customer manual: 411-18509

Mandrels müssen separat bestellt werden.
Mandrels have to be ordered separately.

THIS DRAWING IS A CONTROLLED DOCUMENT.		DWN M.Strecker	23AUG11	STE TE Connectivity	
DIMENSIONS: mm		CHK T.Weissgerber	23AUG11		
TOLERANCES UNLESS OTHERWISE SPECIFIED:		APVD T.Weissgerber	23AUG11	NAME	
0 PLC ± -		PRODUCT SPEC		SERVICE TOOL MAXI TERMI POINT	
1 PLC ± -		APPLICATION SPEC		Service Tool Maxi Termi Point	
2 PLC ± -		108-19028		SIZE	RESTRICTED TO
3 PLC ± -		408-2019		A3	-
4 PLC ± -		WEIGHT		CAGE CODE	
ANGLES ± -		CUSTOMER DRAWING		00779	D=654632-1
FINISH		SCALE		1:1	
MATERIAL		SHEET		1 OF 1	REV
		E			