



Chipsmall Limited consists of a professional team with an average of over 10 year of expertise in the distribution of electronic components. Based in Hongkong, we have already established firm and mutual-benefit business relationships with customers from,Europe,America and south Asia,supplying obsolete and hard-to-find components to meet their specific needs.

With the principle of "Quality Parts,Customers Priority,Honest Operation,and Considerate Service",our business mainly focus on the distribution of electronic components. Line cards we deal with include Microchip,ALPS,ROHM,Xilinx,Pulse,ON,Everlight and Freescale. Main products comprise IC,Modules,Potentiometer,IC Socket,Relay,Connector.Our parts cover such applications as commercial,industrial, and automotives areas.

We are looking forward to setting up business relationship with you and hope to provide you with the best service and solution. Let us make a better world for our industry!



Contact us

Tel: +86-755-8981 8866 Fax: +86-755-8427 6832

Email & Skype: info@chipsmall.com Web: www.chipsmall.com

Address: A1208, Overseas Decoration Building, #122 Zhenhua RD., Futian, Shenzhen, China





Certifications & Ratings

- RoHS compliant

Application

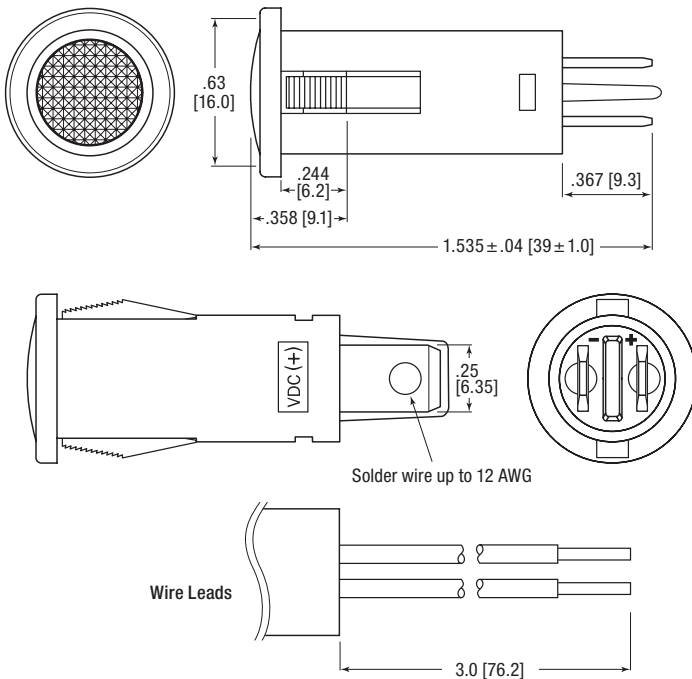
The 655 Series LED Panel Mount Indicators are designed for a variety of applications such as.

- Main power indication
 - Remote power indication
 - Status indication
 - Maintenance and warning indication
 - Instrumentation
- ... and many more!

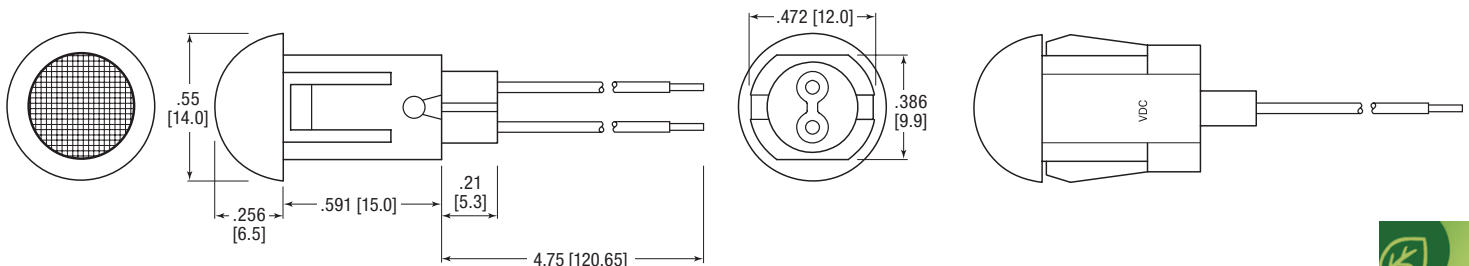
Dimensions

inches [mm]

Flat Lens



Domed Lens



Mechanical Information

- Mounting Hole Size:** 0.50" (12.7 mm)
Max Panel Thickness: 0.138" (3.5 mm) (Domed Lens);
 0.216" (5.5 mm) (Flat Lens)

Specifications

- Voltage Options:** 12 & 24 VDC
Operating temp: -20 °C to +85 °C (-4 °F to +185 °F)
Storage Temp: -20 °C to +85 °C (-4 °F to +185 °F)
Electrical Connection: Solder terminals (Flat Lens only)
 or wire leads
Housing: Polycarbonate
Terminals: Brass—Nickel Plated (Flat Lens only)
Wire Leads: 18 AWG (Flat Lens),
 26 AWG (Domed Lens)

Part Number Guide

RoHS Compliant

| | | | | | | | | | | | | | |
|---|---|---|---|-------------------|---|---|---|--------------|---|----------------|---|-----------------------------------------------|--|
| 6 | 5 | 5 | - | X | X | X | X | - | 1 | 0 | X | F | |
| | | | | Lens Style | | | | | | Voltage | | Termination | |
| | | | | Flat | | 1 | | | | | | 3 Wire Leads | |
| | | | | Domed | | 2 | | | | | | 4 Solder Terminals <i>(Flat Lens only)</i> | |
| | | | | | | | | 3 12VDC | | | | | |
| | | | | | | | | 4 24VDC | | | | | |
| | | | | | | | | Color | | | | | |
| | | | | 1 | | 0 | | ● Red | | | | | |
| | | | | 2 | | 0 | | ● Green | | | | | |
| | | | | 3 | | 0 | | ● Yellow | | | | | |
| | | | | 4 | | 0 | | ● Blue | | | | | |

| Dialight P/N | | Color | Voltage (VDC) | Current (mA) | Typical Intensity (mcd) |
|--------------|------------------|-------|---------------|--------------|-------------------------|
| Wire Leads | Solder Terminals | | | | |

Flat Lens

| | | | | | |
|---------------|---------------|----------|----|----|-----|
| 655-1103-103F | 655-1103-104F | ● Red | 12 | 20 | 70 |
| 655-1203-103F | 655-1203-104F | ● Green | | | 120 |
| 655-1303-103F | 655-1303-104F | ● Yellow | | | 100 |
| 655-1403-103F | 655-1403-104F | ● Blue | | | 70 |
| 655-1104-103F | 655-1104-104F | ● Red | 24 | | 70 |
| 655-1204-103F | 655-1204-104F | ● Green | | | 120 |
| 655-1304-103F | 655-1304-104F | ● Yellow | | | 100 |
| 655-1404-103F | 655-1404-104F | ● Blue | | | 70 |

Domed Lens

| | | | | | |
|---------------|----|----------|----|----|-----|
| 655-2103-103F | NA | ● Red | 12 | 20 | 70 |
| 655-2203-103F | NA | ● Green | | | 140 |
| 655-2303-103F | NA | ● Yellow | | | 45 |
| 655-2403-103F | NA | ● Blue | 50 | | |
| 655-2104-103F | NA | ● Red | 24 | | 70 |
| 655-2204-103F | NA | ● Green | | | 140 |
| 655-2304-103F | NA | ● Yellow | | | 45 |
| 655-2404-103F | NA | ● Blue | | | 50 |