



Chipsmall Limited consists of a professional team with an average of over 10 year of expertise in the distribution of electronic components. Based in Hongkong, we have already established firm and mutual-benefit business relationships with customers from,Europe,America and south Asia,supplying obsolete and hard-to-find components to meet their specific needs.

With the principle of “Quality Parts,Customers Priority,Honest Operation,and Considerate Service”,our business mainly focus on the distribution of electronic components. Line cards we deal with include Microchip,ALPS,ROHM,Xilinx,Pulse,ON,Everlight and Freescale. Main products comprise IC,Modules,Potentiometer,IC Socket,Relay,Connector.Our parts cover such applications as commercial,industrial, and automotives areas.

We are looking forward to setting up business relationship with you and hope to provide you with the best service and solution. Let us make a better world for our industry!



Contact us

Tel: +86-755-8981 8866 Fax: +86-755-8427 6832

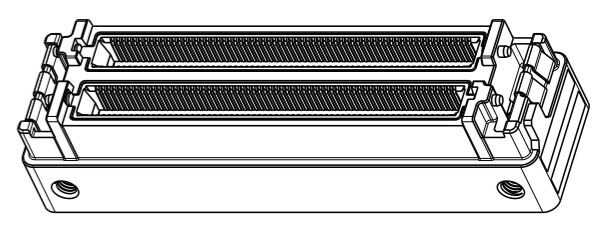
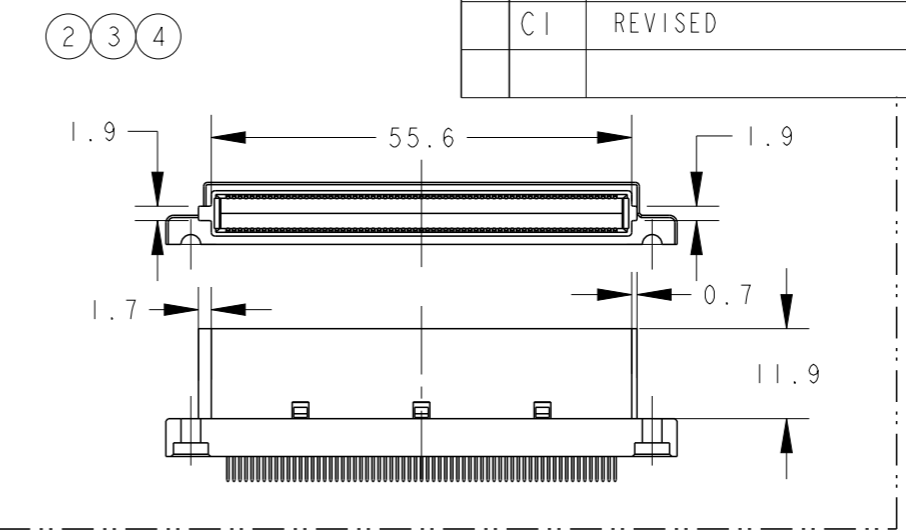
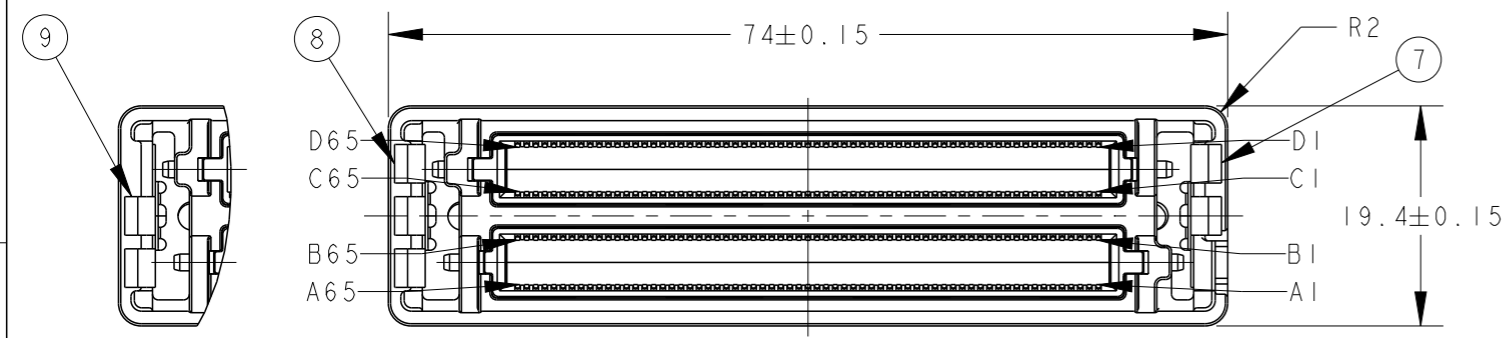
Email & Skype: info@chipsmall.com Web: www.chipsmall.com

Address: A1208, Overseas Decoration Building, #122 Zhenhua RD., Futian, Shenzhen, China



THIS DRAWING IS UNPUBLISHED. RELEASED FOR PUBLICATION 2008
 © COPYRIGHT 2008-2012 ALL RIGHTS RESERVED.

LOC	DIST	REVISIONS					
J	-	P	LTR	DESCRIPTION	DATE	DWN	APVD
		B3		REVISED	17JUN2011	T.K	M.K
		C		REVISED	10AUG2012	T.K	M.K
		C1		REVISED	28OCT2015	T.K	M.K

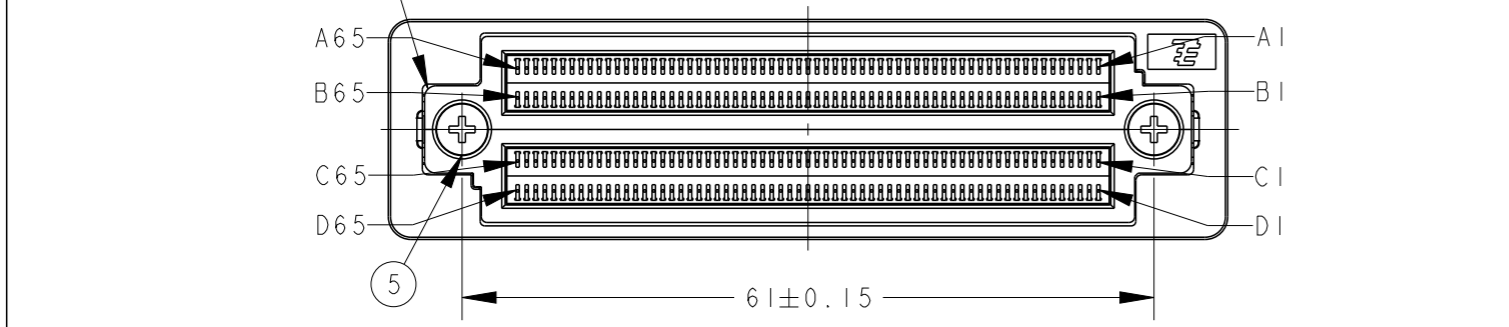
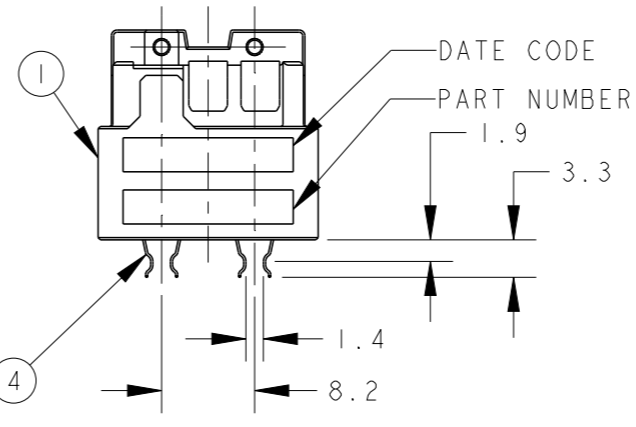
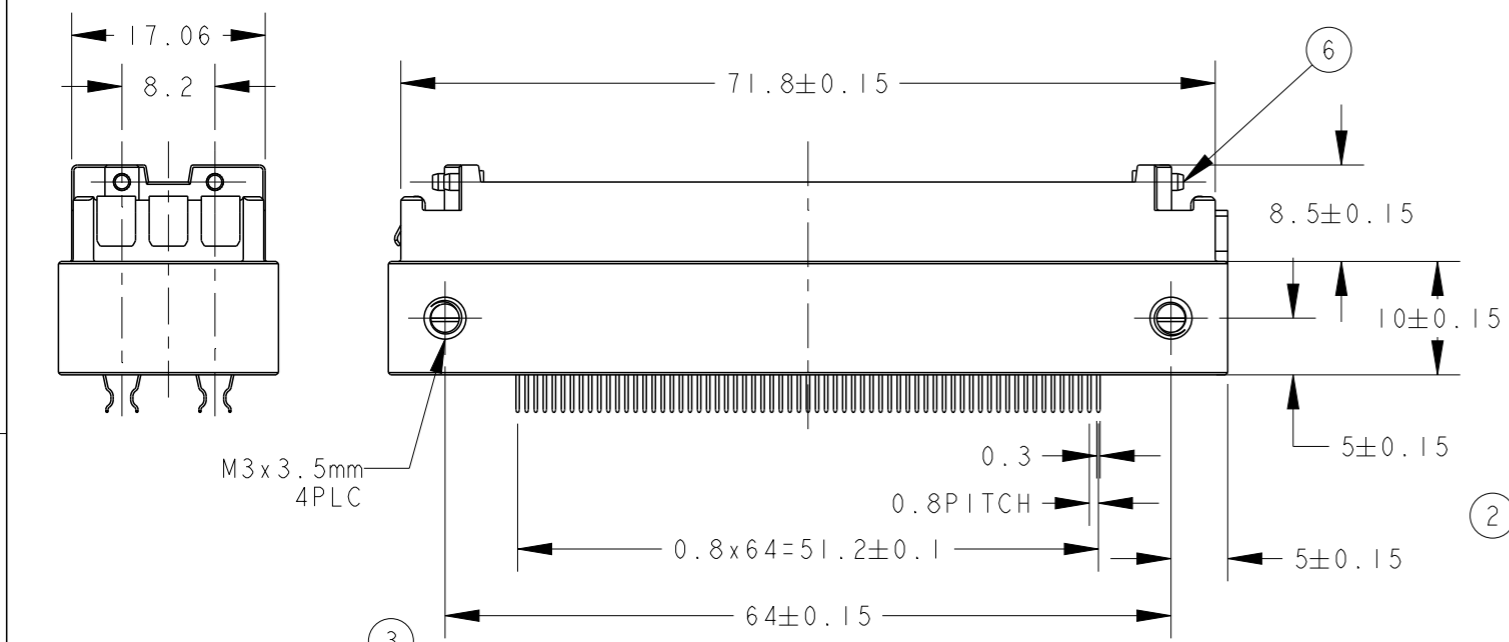


SCALE 1:1

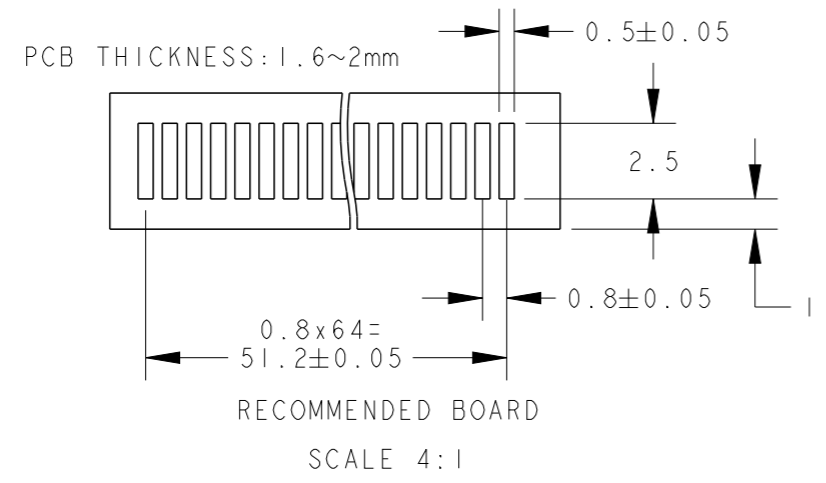
- ① MATING AREA
0.001mm MIN GOLD
OVER 0.0025mm MIN NICKEL
SOLDERING AREA
GOLD FLASH
OVER 0.00127mm MIN NICKEL
OTHERS
0.00127mm MIN NICKEL
- ② SHILED FINGER THICKNESS
0.25mm
- ③ SHILED FINGER THICKNESS
0.20mm

4. PIN ASSIGNMENTS
AS A REFERENCE

ROHS COMPLIANT



QTY	FINISH	MATERIAL	NAME	ITEM NO
2	Ni PLT.	STAINLESS STEEL	SHIELD FINGER	9
-	Ni PLT.	STAINLESS STEEL	SHIELD FINGER	8
-	Ni PLT.	STAINLESS STEEL	SHIELD FINGER	7
4	Ni PLT.	STAINLESS STEEL	PIN FOR HOOK	6
2	ZINC PLATING	STEEL	M2.5 CAP SCREW	5
(260)		COPPER ALLOY	CONTACT	4
2	-	LCP	COVER HOUSING	3
4	-	LCP	INSERT MOLD, CONTACT	2
1	Ni PLT 0.0025~0.005mm	ZINC DIECAST	BASE HOUSING	1



THIS DRAWING IS A CONTROLLED DOCUMENT.

DWN T.Kanno 5MAR2007
 CHK M.Kimura 5MAR2007
 APVD M.Kimura 5MAR2007

PRODUCT SPEC 108-5771
 APPLICATION SPEC 114-5505

WEIGHT 68.5g

CUSTOMER DRAWING

SCALE 1:1 SHEET 1 OF 1 REV C1

TE Connectivity

HDR ASSEMBLY
 TC-ZIF CONN
 0.8mm PITCH 260P

SIZE A3 CAGE CODE C-6565199