



Chipsmall Limited consists of a professional team with an average of over 10 year of expertise in the distribution of electronic components. Based in Hongkong, we have already established firm and mutual-benefit business relationships with customers from,Europe,America and south Asia,supplying obsolete and hard-to-find components to meet their specific needs.

With the principle of “Quality Parts,Customers Priority,Honest Operation,and Considerate Service”,our business mainly focus on the distribution of electronic components. Line cards we deal with include Microchip,ALPS,ROHM,Xilinx,Pulse,ON,Everlight and Freescale. Main products comprise IC,Modules,Potentiometer,IC Socket,Relay,Connector.Our parts cover such applications as commercial,industrial, and automotives areas.

We are looking forward to setting up business relationship with you and hope to provide you with the best service and solution. Let us make a better world for our industry!



Contact us

Tel: +86-755-8981 8866 Fax: +86-755-8427 6832

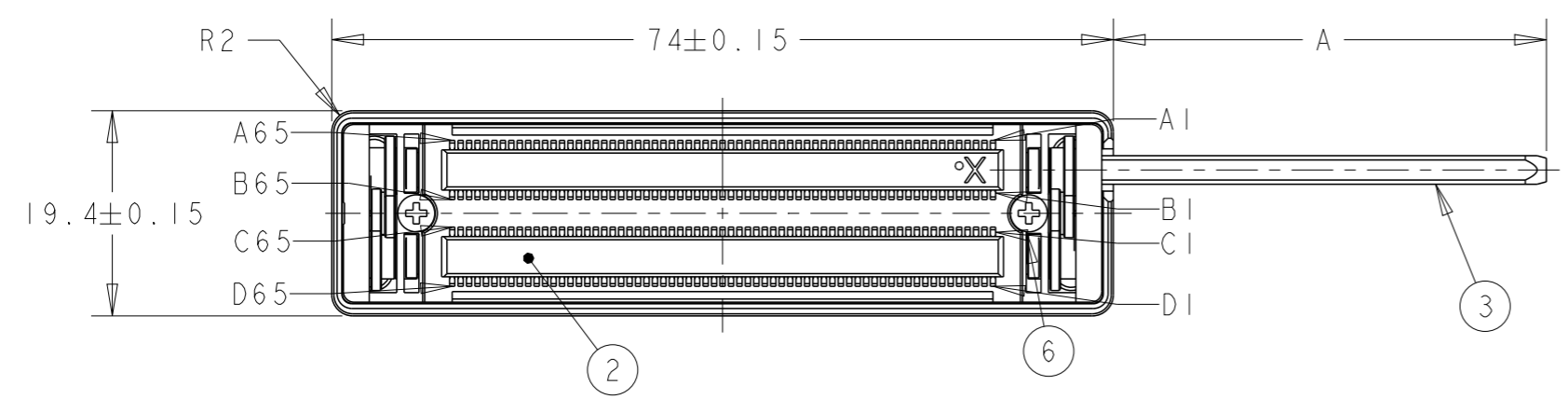
Email & Skype: info@chipsmall.com Web: www.chipsmall.com

Address: A1208, Overseas Decoration Building, #122 Zhenhua RD., Futian, Shenzhen, China

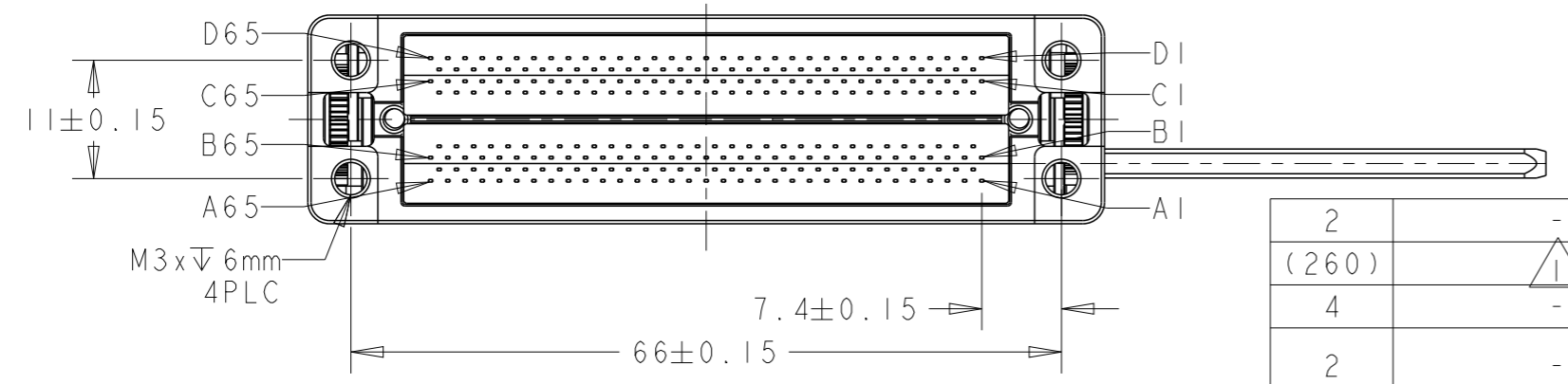
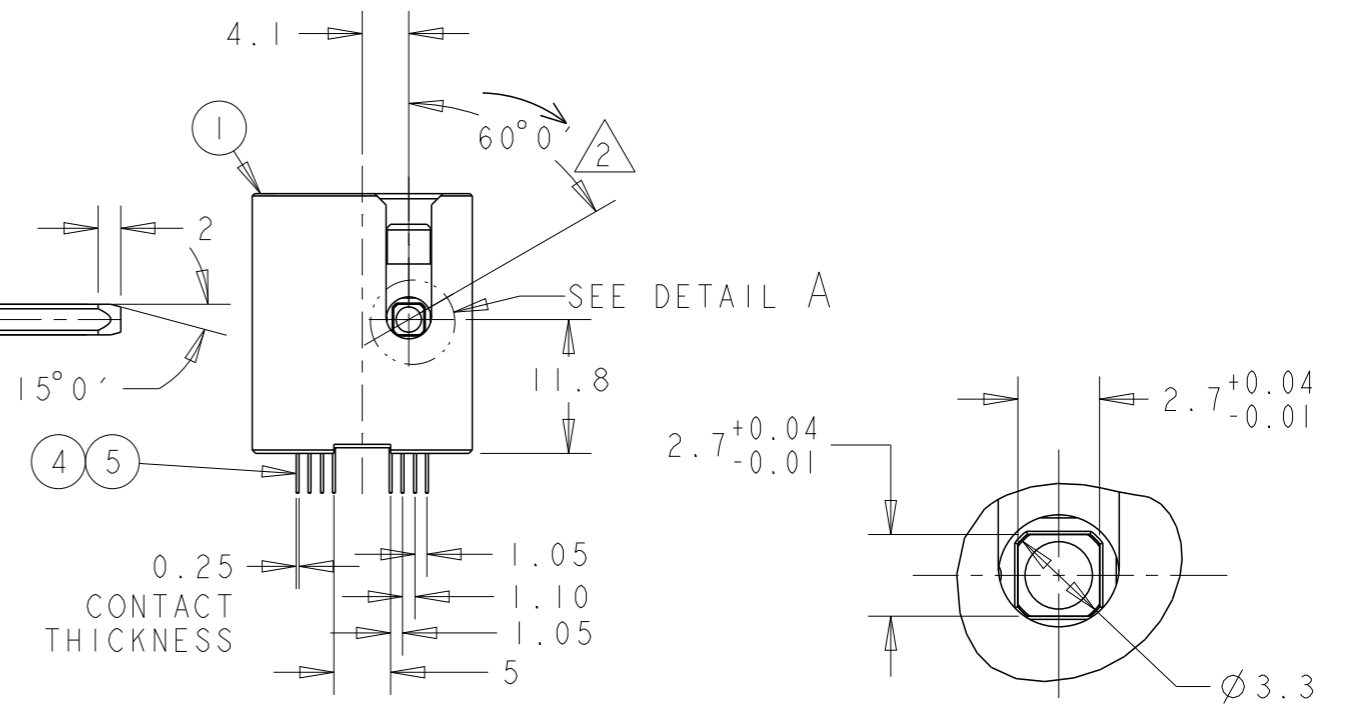
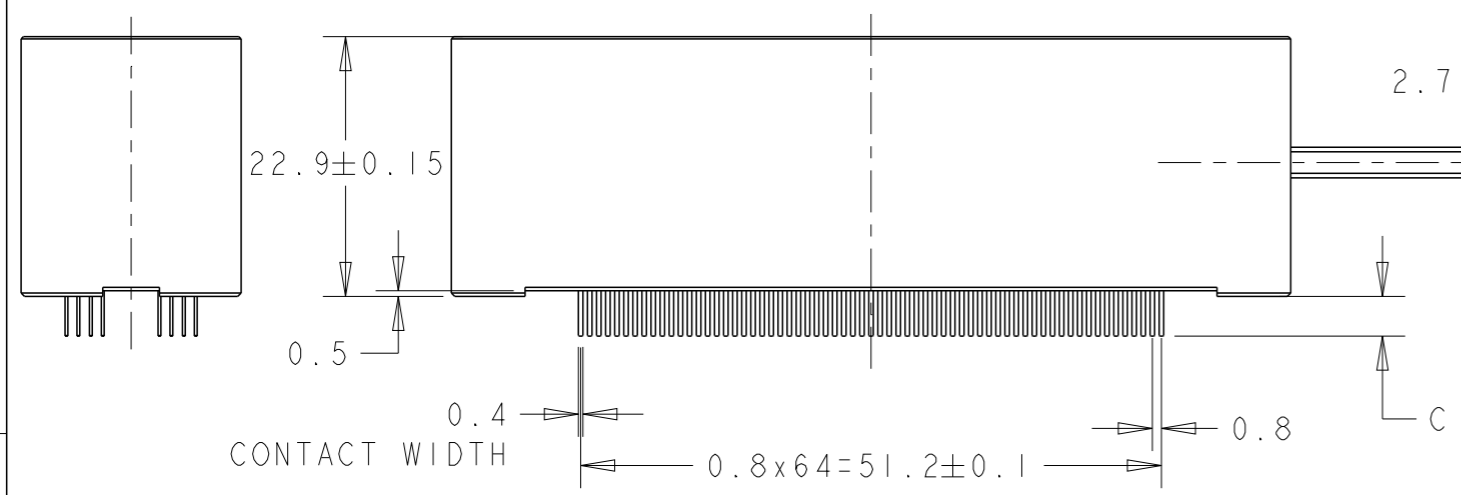


THIS DRAWING IS UNPUBLISHED. RELEASED FOR PUBLICATION 2007
 © COPYRIGHT 2007-2013 ALL RIGHTS RESERVED.

LOC	DIST	REVISIONS			
P	LTR	DESCRIPTION	DATE	DWN	APVD
J	-	E	REVISED	11DEC2012	T.K M.K
		F	REVISED	10JUN2013	T.K M.K
		G	REVISED	18MAR2015	T.K M.K



ROHS COMPLIANT



QTY	FINISH	MATERIAL	NAME	ITEM NO
2	-	STAINLESS STEEL	SCOTCH-GRIP 2510	6
(260)	⚠		M2 SCREW	
4	-	COPPER ALLOY	CONTACT	5
		LCP	INSERT MOLD, CONTACT	4
2	-	SUS 304 AND PLASTIC (COLOR BLACK)	ACTUATOR ASSY	3
1	-	LCP	COVER HOUSING, REC	2
1	Ni PLT. 2.5~5μm	ZINC DIECAST	BASE HOUSING, REC	1

DIMENSION "C"	DIMENSION "A"	PART NUMBER
2.8±0.2	41	6565204-9
3.1±0.25	41	6565204-8
3.5±0.4	20	6565204-6
2.5±0.25	20	6565204-5
PRELIMINARY 2.5±0.25	26.82±0.2	6565204-4
2.5±0.25	41	6565204-3
3.5±0.4	41	6565204-1

THIS DRAWING IS A CONTROLLED DOCUMENT.

DIMENSIONS: mm

TOLERANCES UNLESS OTHERWISE SPECIFIED:

0 PLC ±0.3
 1 PLC ±0.25
 2 PLC ±0.2
 3 PLC ±
 4 PLC ±
 ANGLES ±3
 FINISH ⚠

MATERIAL SEE TABLE

DWN T.Kanno 5MAR2007
 CHK M.Kimura 5MAR2007
 APVD M.Kimura 5MAR2007
 PRODUCT SPEC 108-5771
 APPLICATION SPEC 114-5505
 WEIGHT 85g

TE TE Connectivity

NAME REC ASSEMBLY
 TC-ZIF CONNECTOR
 0.8mm PITCH 260P

SIZE A3 CAGE CODE DRAWING NO RESTRICTED TO
 ©-6565204 -

CUSTOMER DRAWING SCALE 3:2 SHEET 1 OF 2 REV G

LOC
J

DIST
-

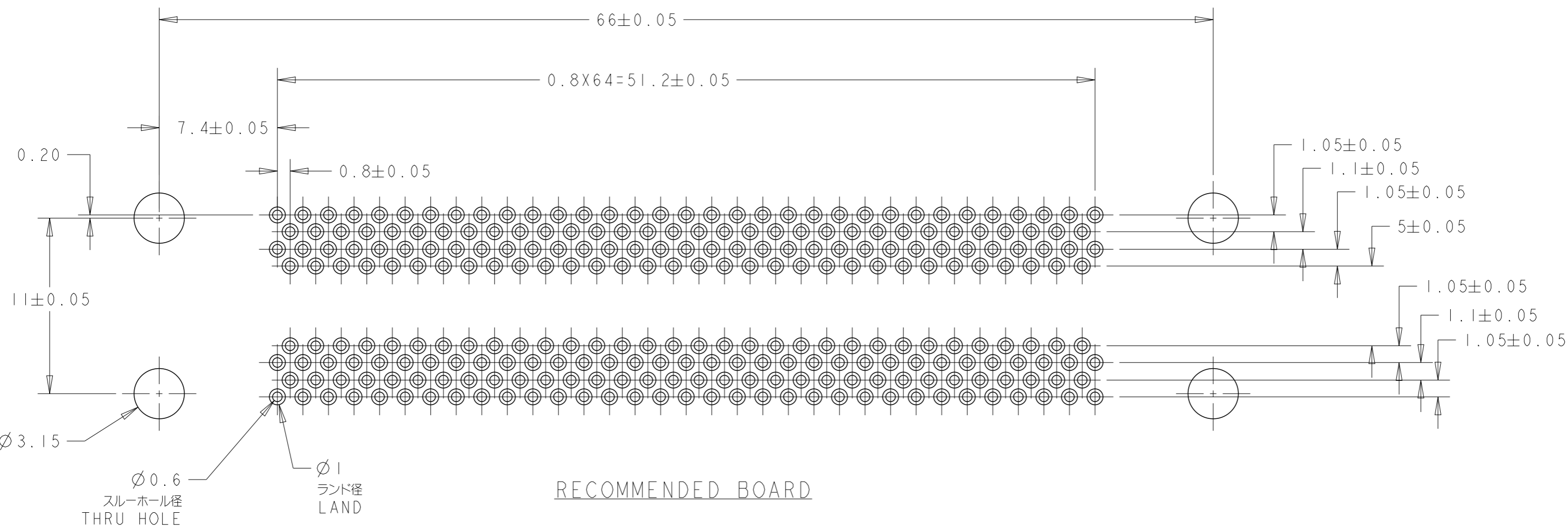
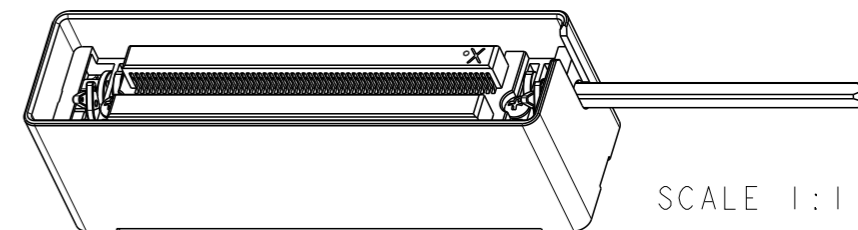
REVISIONS

P	LTR	DESCRIPTION	DATE	DWN	APVD
	-	SEE SHEET 1	-	-	-

1 MATING AREA: 1μmMIN GOLD PLATING
OVER 2.5μmMIN NICKEL
SOLDERING AREA: GOLD FLASH
OVER 2.5μmMIN NICKEL
OTHERS: 2.5μmMIN NICKEL

2 BY ROTATING 60±5 DEGREES OF SHAFT CLOCKWISE,
CONNECTOR IS MATED WITH HDR.
CONTACT ENGAGEMENT : 15±5DEG.

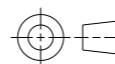
3. PIN ASSIGNMENTS AS A REFERENCE



RECOMMENDED BOARD

THIS DRAWING IS A CONTROLLED DOCUMENT.

DIMENSIONS:
mm



TOLERANCES UNLESS OTHERWISE SPECIFIED:

0 PLC	±0.2
1 PLC	±0.15
2 PLC	±0.1
3 PLC	±
4 PLC	±
ANGLES	±3

MATERIAL

-

FINISH

-

DWN 5MAR2007

T.Kanno

CHK 5MAR2007

M.Kimura

APVD 5MAR2007

M.Kimura

PRODUCT SPEC

108-5771

APPLICATION SPEC

114-5505

WEIGHT

-

CUSTOMER DRAWING

NAME

REC ASSEMBLY
TC-ZIF CONNECTOR
0.8mm PITCH 260P

SIZE

A3

CAGE CODE

DRAWING NO

C-6565204

RESTRICTED TO

-



TE Connectivity

SCALE 3:2

SHEET 2 OF 2

REV G