



Chipsmall Limited consists of a professional team with an average of over 10 year of expertise in the distribution of electronic components. Based in Hongkong, we have already established firm and mutual-benefit business relationships with customers from,Europe,America and south Asia,supplying obsolete and hard-to-find components to meet their specific needs.

With the principle of “Quality Parts,Customers Priority,Honest Operation,and Considerate Service”,our business mainly focus on the distribution of electronic components. Line cards we deal with include Microchip,ALPS,ROHM,Xilinx,Pulse,ON,Everlight and Freescale. Main products comprise IC,Modules,Potentiometer,IC Socket,Relay,Connector.Our parts cover such applications as commercial,industrial, and automotives areas.

We are looking forward to setting up business relationship with you and hope to provide you with the best service and solution. Let us make a better world for our industry!



Contact us

Tel: +86-755-8981 8866 Fax: +86-755-8427 6832

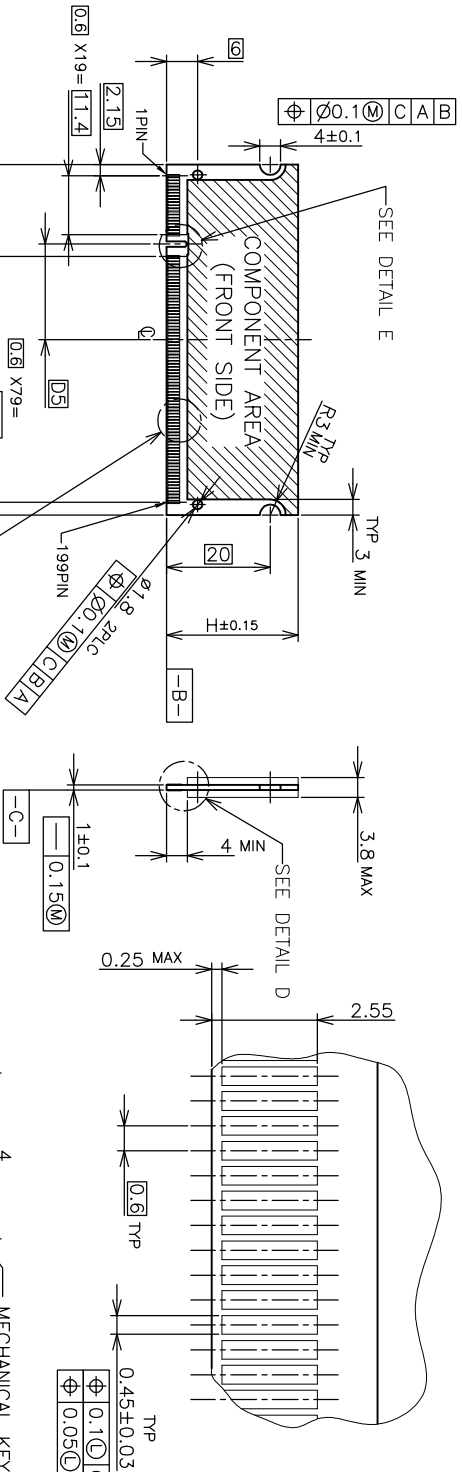
Email & Skype: info@chipsmall.com Web: www.chipsmall.com

Address: A1208, Overseas Decoration Building, #122 Zhenhua RD., Futian, Shenzhen, China



REVISONS		DATE	DMN	APVD
ES	DESCRIPTION			
P	LIR			
	SEE SHEET 1			

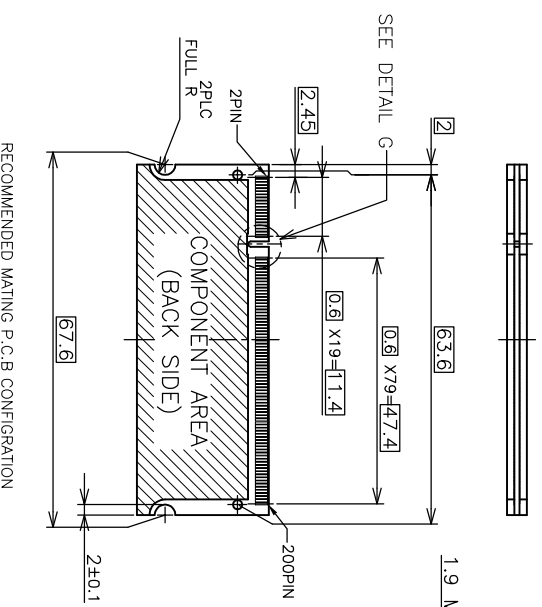
DETAIL F
SCALE 8:1



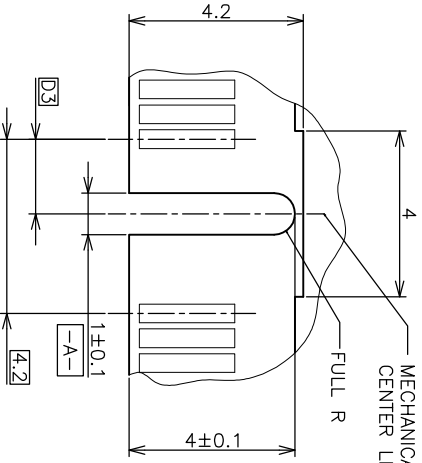
- (APPLIED TO SHEET 3)
 1. TOLERANCES ON ALL DIMENSIONS ±0.15 UNLESS OTHERWISE SPECIFIED.
 2. P.C.BOARD THICKNESS APPLIES ACROSS TABS AND INCLUDES PLATING AND/OR METALIZATION.
 3. FINISH OF PAD : GOLD PLATING 0.00076 MIN. OVER Ni PLATING 0.002MIN.
 ▲ NO BURR
 ▲ CHAMFER 0.25 MAX x 45° IF EXIST.

PRELIMINARY

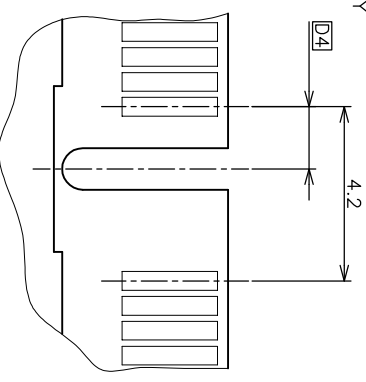
DETAIL D
SCALE 8:1



DETAIL E
SCALE 8:1 (FRONT SIDE)



DETAIL G
SCALE 8:1 (BACK SIDE)



31.75	1.8V	17.55	2.4	2.7
25.4	2.5V	18.45	1.5	1.8
H	POWER SUPPLY	D5	D4	D3

Tyco Electronics Corporation
 SH/CN GulpingRD 668#

THIS DRAWING IS A CONTROLLED DOCUMENT.

DMN	CHK	APVD	NAME
			DDR1 & DDR2 SODIMM SOCKET
			0.6mm PITCH 200POS
			LOW PROFILE REVERSE TYPE
			DRAWING NO. 00779
			CAGE CODE 6565692
			RESTRICTED TO

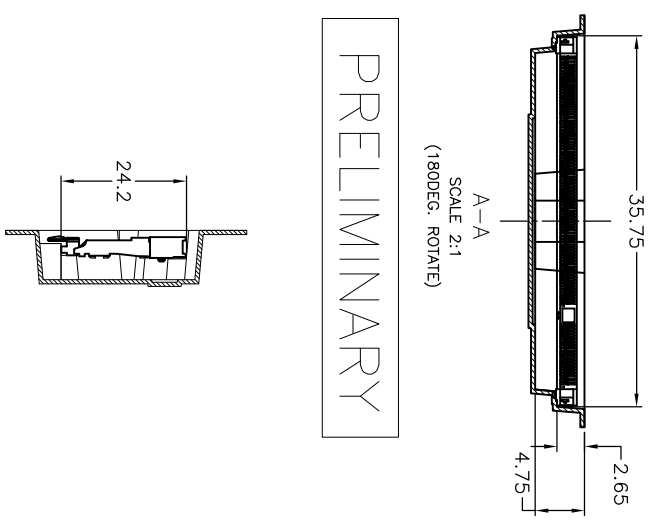
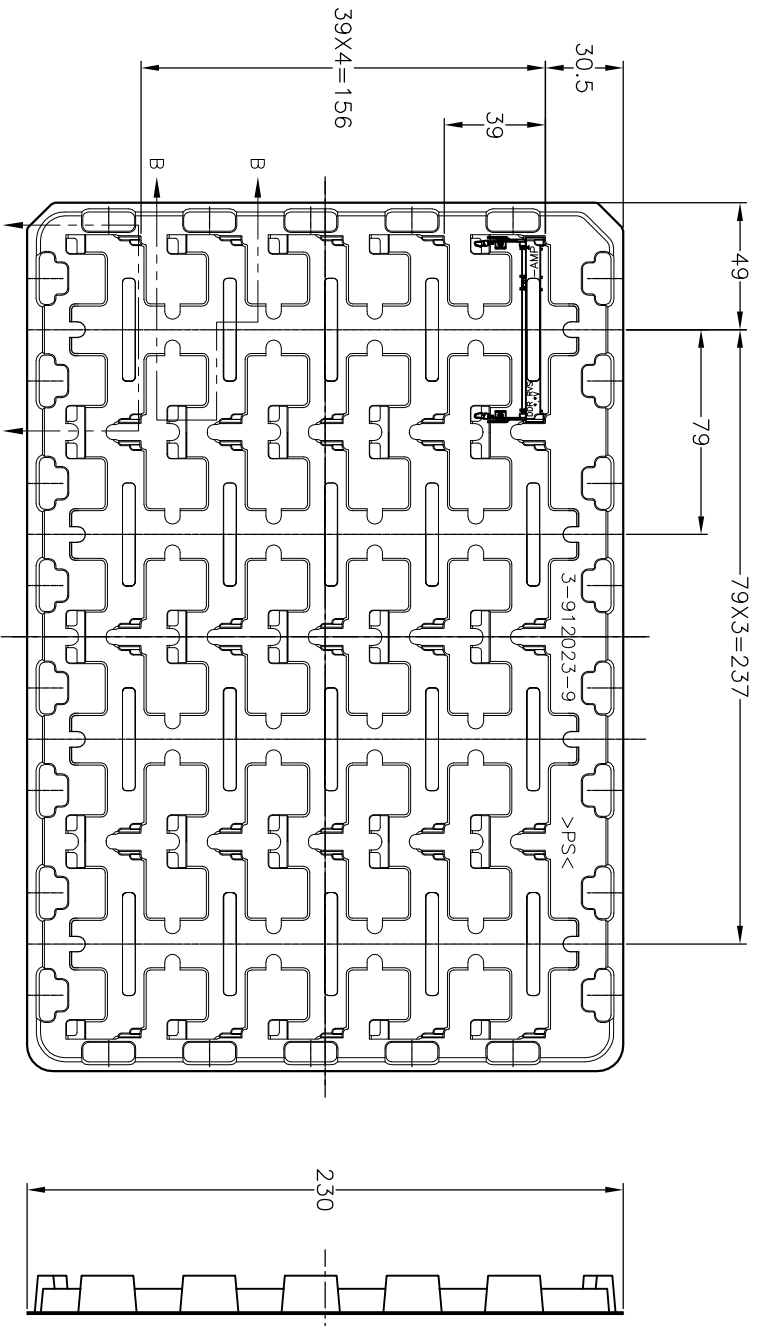
DIMENSIONS: MM	TOLERANCES UNLESS OTHERWISE SPECIFIED:
0 PIG	±
1 PIG	±
2 PIG	±
3 PIG	±
4 PIG	±
ANGLES	±
FINISH	±
MATERIAL	
WEIGHT	
RESTRICTED CUSTOMER	

SIZE	A3
SCALE	2:1
SHEET	3 OF 4
REV	D

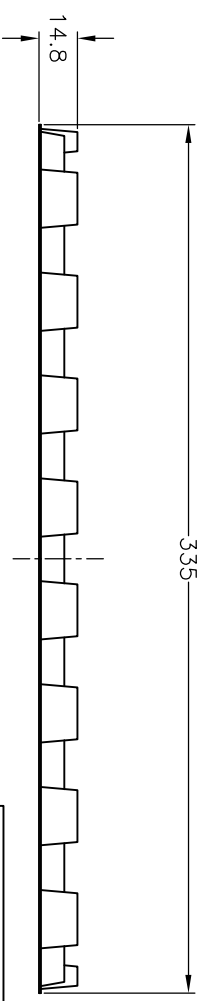
REV	DESCRIPTION	DATE	DMN	APVD
1				

REVISIONS

P	LTR	DATE	DMN	APVD
-	-	-	-	-



PRELIMINARY

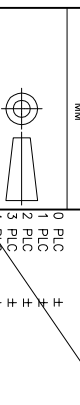


1.8V (DDR2)	20EA/TRAY	1-6565692-4
1.8V (DDR2)	20EA/TRAY	6565692-4
2.5V (DDR1)	20EA/TRAY	1-6565692-1
2.5V (DDR1)	20EA/TRAY	6565692-1
POWER SUPPLY (TYPE)	QTY	P/N

- (APPLIED TO SHEET 4)
1. THE DIRECTION OF EACH CONNECTOR ON A TRAY IS REFERRED TO THIS DRAWING.
 2. GENERAL TOLERANCE: ±0.5

THIS DRAWING IS A CONTROLLED DOCUMENT.

DIMENSIONS:	TOLERANCES UNLESS OTHERWISE SPECIFIED:
MM	0 PIC ±
	1 PIC ±
	2 PIC ±
	3 PIC ±
	4 PIC ±
	ANGLES ±



DMN	CHK	APVD	PRODUCT SPEC	APPLICATION SPEC	WEIGHT	FINISH	MATERIAL

NAME	SIZE	CAGE CODE	DRAWING NO.	RESTRICTED TO
Tyco Electronics Corporation SH/CN GulpingRD 668#	A3	00779	6565692	

RESTRICTED CUSTOMER	SCALE	SHEET	REV
	1:2	4	D