



Chipsmall Limited consists of a professional team with an average of over 10 year of expertise in the distribution of electronic components. Based in Hongkong, we have already established firm and mutual-benefit business relationships with customers from,Europe,America and south Asia,supplying obsolete and hard-to-find components to meet their specific needs.

With the principle of “Quality Parts,Customers Priority,Honest Operation,and Considerate Service”,our business mainly focus on the distribution of electronic components. Line cards we deal with include Microchip,ALPS,ROHM,Xilinx,Pulse,ON,Everlight and Freescale. Main products comprise IC,Modules,Potentiometer,IC Socket,Relay,Connector.Our parts cover such applications as commercial,industrial, and automotives areas.

We are looking forward to setting up business relationship with you and hope to provide you with the best service and solution. Let us make a better world for our industry!



## Contact us

Tel: +86-755-8981 8866 Fax: +86-755-8427 6832

Email & Skype: [info@chipsmall.com](mailto:info@chipsmall.com) Web: [www.chipsmall.com](http://www.chipsmall.com)

Address: A1208, Overseas Decoration Building, #122 Zhenhua RD., Futian, Shenzhen, China

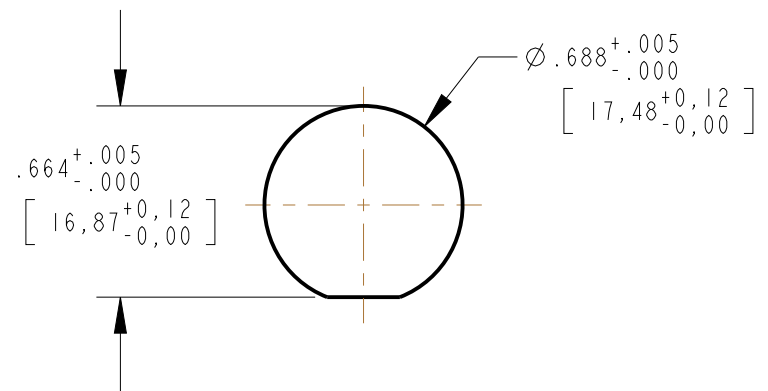
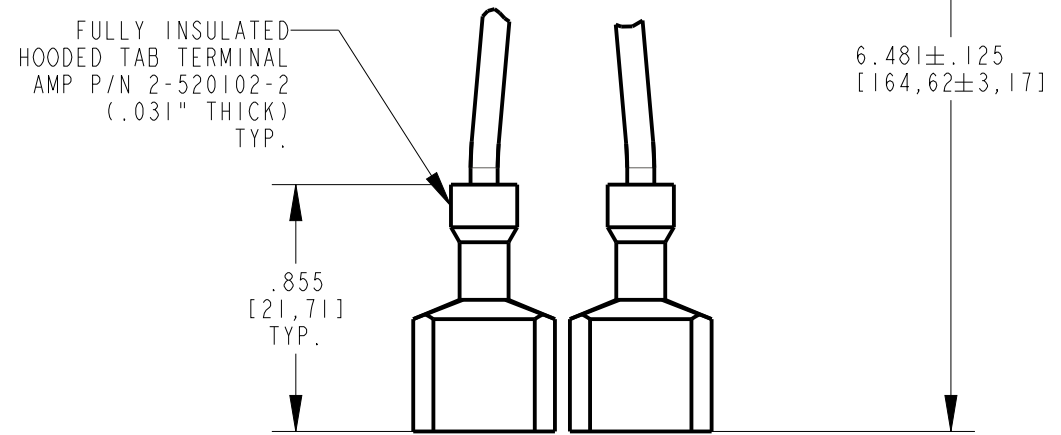
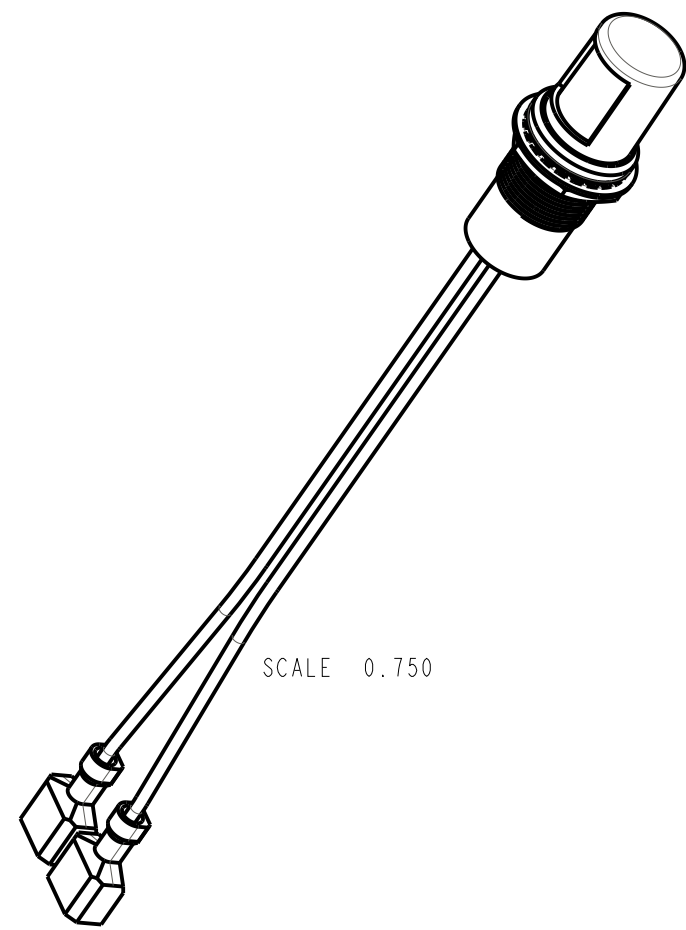
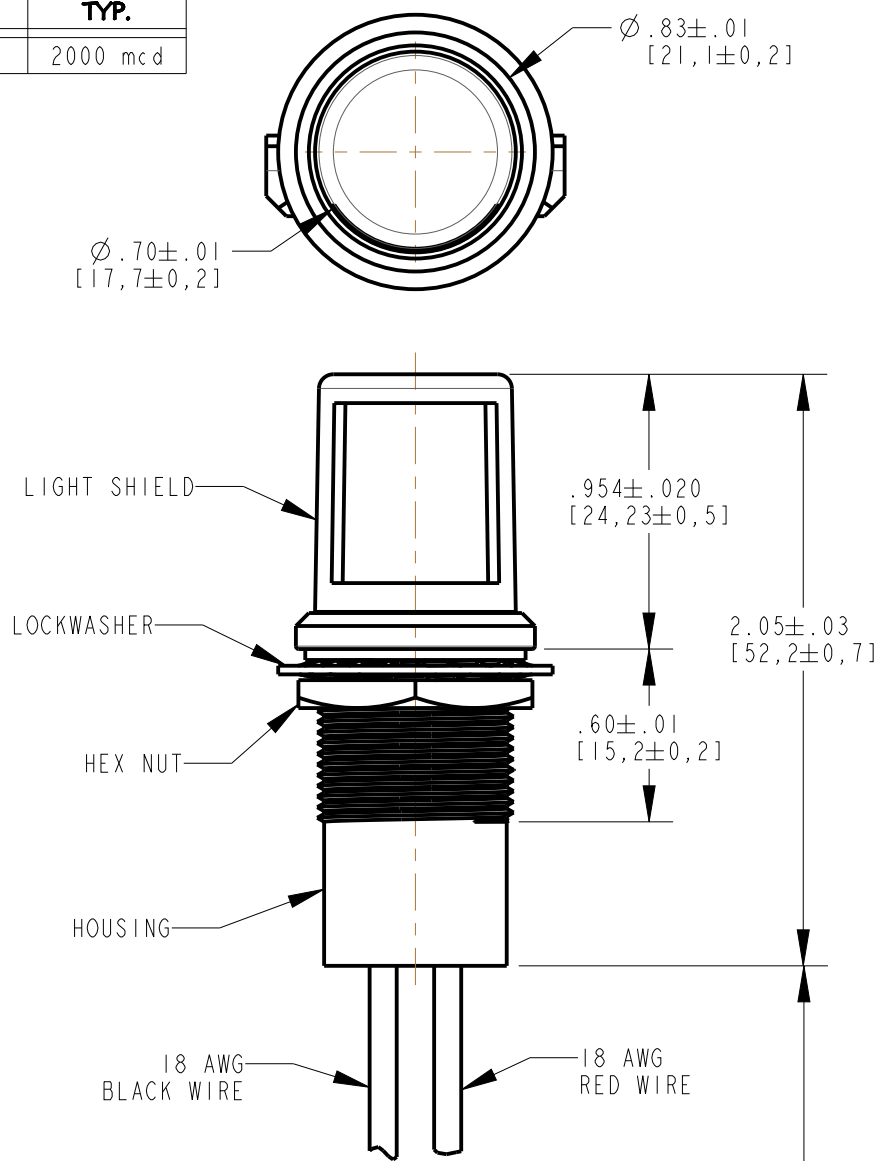


COLOR	VOLTAGE	FORWARD CURRENT	INTENSITY
		TYP.	TYP.
COOL WHITE	12-32 VDC	24 mA	2000 mcd

**RoHS COMPLIANT 657-3009-802F**

Part Numbers with the "F" suffix ending are RoHS Compliant. Packaging is marked with "RoHS Compliant" label or equivalent markings.

REV	ECN NO	REVISIONS	DRN	CKD	APP	DATE
A		NEW RELEASE	AJF	KLJ	CJC	3-21-11
B		6.481±.125 WAS "6.410±.125"; ADDED HOODED TERMINALS.	AJF	KLJ	CJC	6-8-11
C		REVISED NOTE 2, HARDWARE WAS PACKAGED SEPERATELY	AJF	KLJ	CJC	8-29-11



**RECOMMENDED MOUNTING HOLE**

- NOTES:
1. DIALIGHT PART NUMBER: 657-3009-802F.
  2. HARDWARE INCLUDED.
  3. MAXIMUM PANEL THICKNESS: .350".
  4. MINIMUM  $\phi$  TO  $\phi$  SPACING: 1.0".
  5. OPERATING TEMPERATURE: -35°C TO +65°C.
  6. STORAGE TEMPERATURE: -40°C TO +100°C.
  7. HORIZONTAL VIEWING ANGLE: 100°.
  8. VERTICAL VIEWING ANGLE: 80°.
  9. IP67 / NEMA 4X RATED.

THIS DRAWING AND THE CONTENTS HEREIN ARE CONFIDENTIAL AND THE SOLE PROPERTY OF DIALIGHT. REPRODUCTION OF THIS DRAWING OR CONSTRUCTION OF ANY PARTS WITHIN THIS DRAWING ARE FORBIDDEN WITHOUT THE WRITTEN CONSENT OF DIALIGHT.		
SCALE: 1.500 ALL DIM'S IN: INCHES (MM)	DRAWING NUMBER C-17910	REV C
TOLERANCES: UNLESS OTHERWISE SPECIFIED FRACTIONS: ±1/64 DECIMALS (.XX): ±.02 DECIMALS (.XXX): ±.015	TITLE 11/16" RIGHT ANGLE LED PMI W/ TAB TERMINALS	
ANGLES: ±1° FINISH:	MATERIAL	
FSCM 83330	1501 ROUTE 34 SOUTH FARMINGDALE, NJ 07727	
SHEET 1 OF 1		FAMILY TABLE: