



Chipsmall Limited consists of a professional team with an average of over 10 year of expertise in the distribution of electronic components. Based in Hongkong, we have already established firm and mutual-benefit business relationships with customers from,Europe,America and south Asia,supplying obsolete and hard-to-find components to meet their specific needs.

With the principle of “Quality Parts,Customers Priority,Honest Operation,and Considerate Service”,our business mainly focus on the distribution of electronic components. Line cards we deal with include Microchip,ALPS,ROHM,Xilinx,Pulse,ON,Everlight and Freescale. Main products comprise IC,Modules,Potentiometer,IC Socket,Relay,Connector.Our parts cover such applications as commercial,industrial, and automotives areas.

We are looking forward to setting up business relationship with you and hope to provide you with the best service and solution. Let us make a better world for our industry!



Contact us

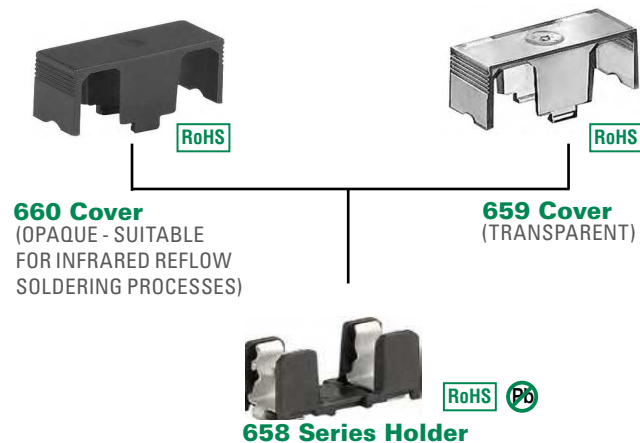
Tel: +86-755-8981 8866 Fax: +86-755-8427 6832

Email & Skype: info@chipsmall.com Web: www.chipsmall.com

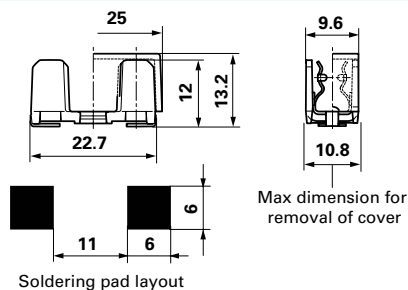
Address: A1208, Overseas Decoration Building, #122 Zhenhua RD., Futian, Shenzhen, China



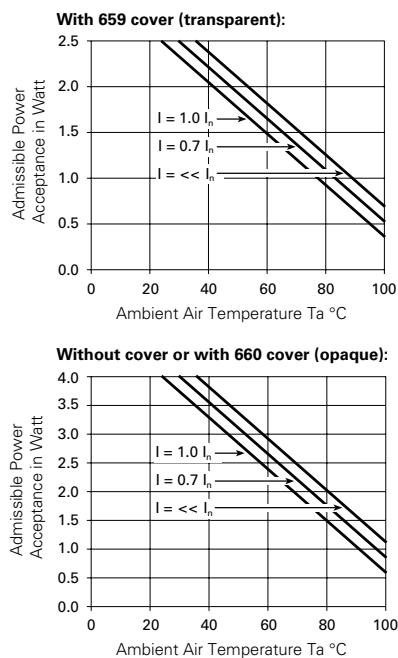
658 Series Molded Base Surface Mount Fuse Block For 5x20mm Fuses



Product Dimensions (millimeter)



Derating Curves






Product Characteristics

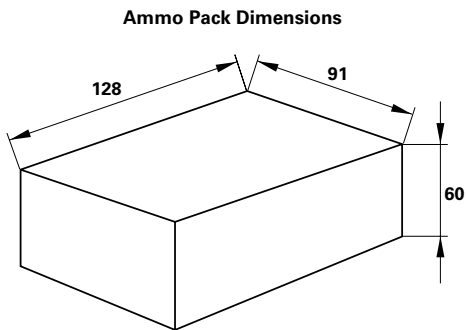
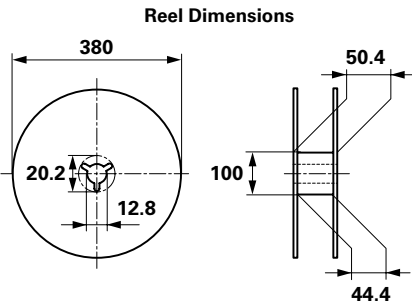
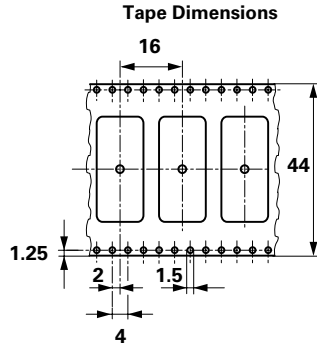
Compatible Fuse	5x20 mm
Materials	<p>Clip Frame: 65800001xxx: UL94 V-0 Black Thermoplastic 65800003xxx: UL94 V-0 Black LCP 65800004xxx: UL94 V-0 Black LCP</p> <p>Clip Terminals: 65800001xxx: Tin (Sn) plated copper alloy 65800003xxx: Tin (Sn) plated copper alloy 65800004xxx: Gold (Au) plated copper alloy</p>
Electrical Data	<p>Rated Voltage: 250 VAC (VDE); 250 VAC/DC (UL/CSA)</p> <p>Rated Current: 10A</p> <p>Rated Power Acceptance (at ambient air temp 23°C): - 4W without cover - 4W with 660 cover - 2.5W with 659 cover</p>
Mounting	SMT. Reflow soldering
Operating Temperature	-40°C to +85°C
Stock Conditions	0°C to +60°C, max 70% Relative humidity
Vibration Resistance	acc. to IEC 60068-2-6, test Fc
Contact Resistance	< 5 mΩ at 20 mV
Dielectric Strength	> 3kV, 50 Hz, 1 min.
Impulse withstand Voltage	> 4 kV between L-N
Insulation Resistance	(500 V DC/1 min): >10 MΩ
Solderability	245 - 260°C / max. 30 sec. acc. to JE-DEC J-STD-020D
Soldering Profile	JEDEC J-STD-020C: - 65800001xxx: 245(+0/-5)°C / 30 sec max. - 65800003xxx: 260(+0/-5)°C / 30 sec max. - 65800004xxx: 260(+0/-5)°C / 30 sec max.

* Ensure that proper fuse re-rating is factored in fuseholder selection.

Agency Approval

Agency	Agency File Number
	40001499
	251220 (see ordering info)
	E70164 (see ordering info)

Packaging Dimensions (millimeter)



Ordering Information

658 0000 1009	Fuse Holder - Thermoplastic / Tin terminals (100 pcs bulk)
658 0000 1109	Fuse Holder - Thermoplastic / Tin terminals (400 pcs tape & reel)
658 0000 3009*	Fuse Holder - LCP plastic / Tin terminals (100 pcs bulk)
658 0000 3109*	Fuse Holder - LCP plastic / Tin terminals (400 pcs tape & reel)
658 0000 4009*	Fuse Holder - LCP plastic / Gold terminals (100 pcs bulk)
658 0000 4109*	Fuse Holder - LCP plastic / Gold terminals (400 pcs tape & reel)
659 0000 0009	Fuse Holder Cover - Transparent plastic (100 pcs bulk)
660 0000 1009	Fuse Holder Cover - Opaque plastic, suitable for infrared (IR) reflow soldering processes (100 pcs bulk)

* Not UL Recognized or CSA.

Additional Information



Datasheet
658 Series



Resources
658 Series



Samples
658 Series



Datasheet
659 Series



Resources
659 Series



Samples
659 Series



Datasheet
660 Series



Resources
660 Series



Samples
660 Series