



Chipsmall Limited consists of a professional team with an average of over 10 year of expertise in the distribution of electronic components. Based in Hongkong, we have already established firm and mutual-benefit business relationships with customers from,Europe,America and south Asia,supplying obsolete and hard-to-find components to meet their specific needs.

With the principle of “Quality Parts,Customers Priority,Honest Operation,and Considerate Service”,our business mainly focus on the distribution of electronic components. Line cards we deal with include Microchip,ALPS,ROHM,Xilinx,Pulse,ON,Everlight and Freescale. Main products comprise IC,Modules,Potentiometer,IC Socket,Relay,Connector.Our parts cover such applications as commercial,industrial, and automotives areas.

We are looking forward to setting up business relationship with you and hope to provide you with the best service and solution. Let us make a better world for our industry!



Contact us

Tel: +86-755-8981 8866 Fax: +86-755-8427 6832

Email & Skype: info@chipsmall.com Web: www.chipsmall.com

Address: A1208, Overseas Decoration Building, #122 Zhenhua RD., Futian, Shenzhen, China



4

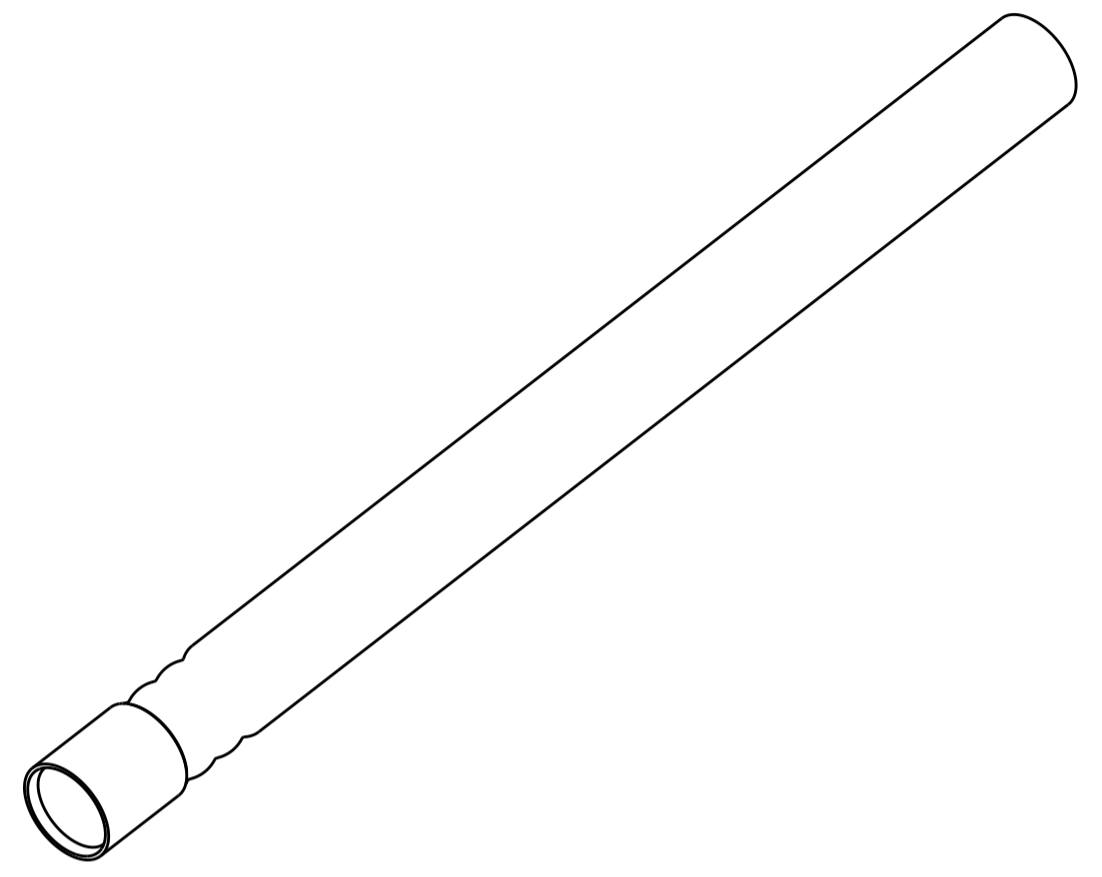
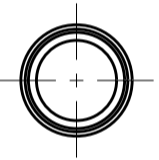
3

2

1

THIS DRAWING IS UNPUBLISHED. RELEASED FOR PUBLICATION
 © COPYRIGHT BY TYCO ELECTRONICS CORPORATION. ALL INTERNATIONAL RIGHTS RESERVED.

LOC	DIST	REVISIONS			
P	LTR	DESCRIPTION	DATE	DWN	APVD
	A	REL ACTIVE STATUS	19JUN2006	DHR	DHR
	B	REVISE PER ECR-08-025002	08OCT2008	BB	SG
	BI	REV PER ECR-10-015963	10AUG2010	IL	CT



- 1. MATERIAL: CRIMP EYELET: ALUMINUM ALLOY, HEAT SHRINK: POLYOLEFIN, SEE TABLE FOR COLORS.
- 2. TUBING TO MEET UL VW-1 FLAMMABILITY REQUIREMENT.
- 3. BULK PACKAGED.
- 4. ACCOMODATES MAXIMUM CABLE OUTSIDE DIAMETER OF 2.65mm.

BLACK	26±1.5 mm	6588189-4
	18±1.5 mm	6588189-3
	64±1.5 mm	6588189-2
	49±1.5 mm	6588189-1
COLOR	L	PART NO

<small>THIS DRAWING IS A CONTROLLED DOCUMENT FOR TYCO ELECTRONICS CORPORATION. IT IS SUBJECT TO CHANGE AND THE CONTROLLING ENGINEERING ORGANIZATION SHOULD BE CONTACTED FOR THE LATEST REVISION.</small>		DWN 02JUN2005 E. HOPKINS CHK 02JUN2005 D. ROHDE APVD 02JUN2005 S. BUCHTER	Tyco Electronics Corporation Shanghai, China
DIMENSIONS: mm 	TOLERANCES UNLESS OTHERWISE SPECIFIED: 0 PLC ± 1 PLC ± 2 PLC ± 3 PLC ± 4 PLC ± ANGLES ± FINISH	PRODUCT SPEC APPLICATION SPEC WEIGHT	NAME CRIMP EYELET/ HEAT SHRINK ASSY, LC CONNECTOR, 2.4/2.5mm
MATERIAL		SCALE 4:1	RESTRICTED TO
CUSTOMER DRAWING		SIZE A2	DRAWING NO C-6588189