



Chipsmall Limited consists of a professional team with an average of over 10 year of expertise in the distribution of electronic components. Based in Hongkong, we have already established firm and mutual-benefit business relationships with customers from,Europe,America and south Asia,supplying obsolete and hard-to-find components to meet their specific needs.

With the principle of “Quality Parts,Customers Priority,Honest Operation,and Considerate Service”,our business mainly focus on the distribution of electronic components. Line cards we deal with include Microchip,ALPS,ROHM,Xilinx,Pulse,ON,Everlight and Freescale. Main products comprise IC,Modules,Potentiometer,IC Socket,Relay,Connector.Our parts cover such applications as commercial,industrial, and automotives areas.

We are looking forward to setting up business relationship with you and hope to provide you with the best service and solution. Let us make a better world for our industry!



## Contact us

Tel: +86-755-8981 8866 Fax: +86-755-8427 6832

Email & Skype: info@chipsmall.com Web: www.chipsmall.com

Address: A1208, Overseas Decoration Building, #122 Zhenhua RD., Futian, Shenzhen, China

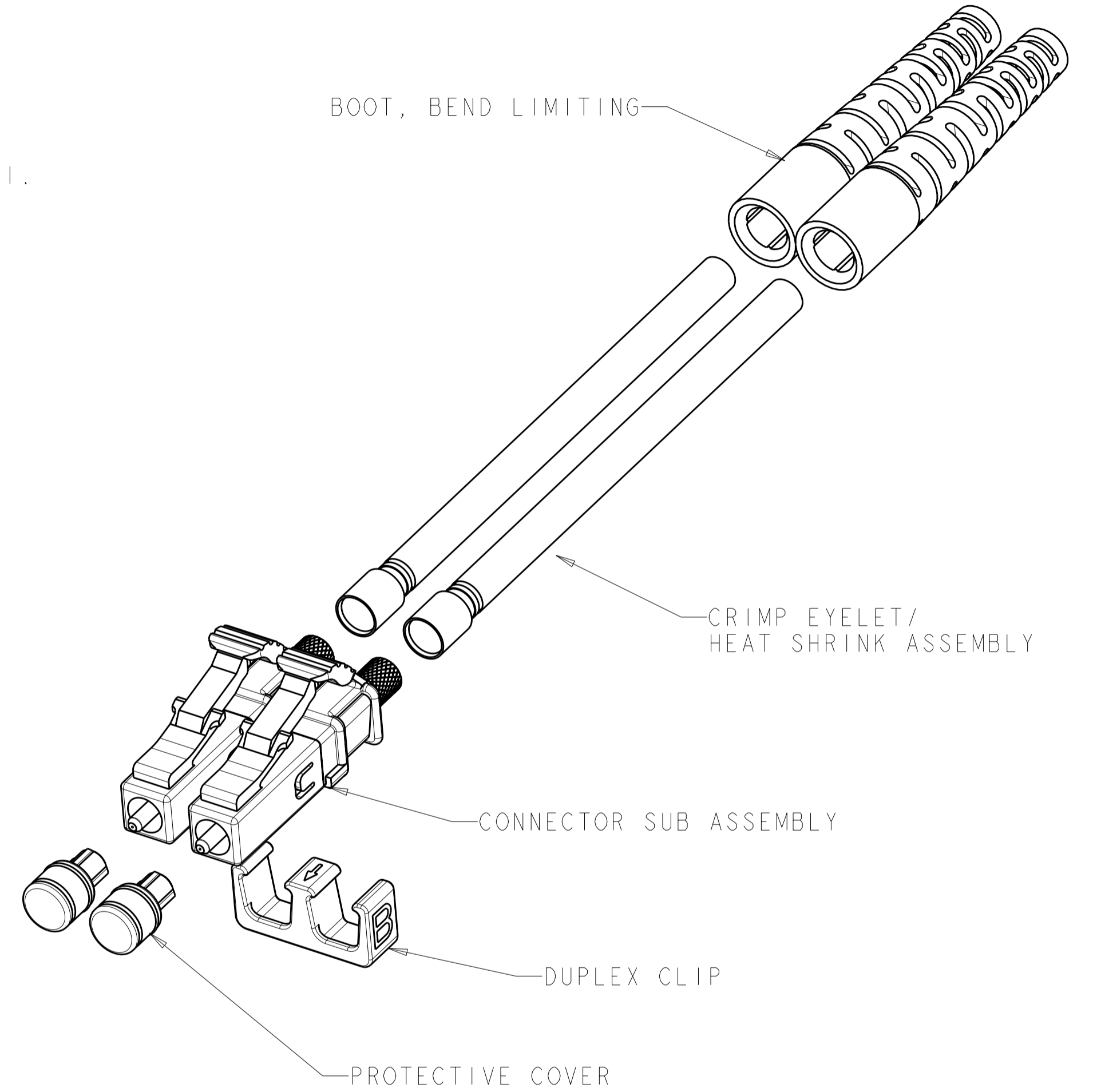
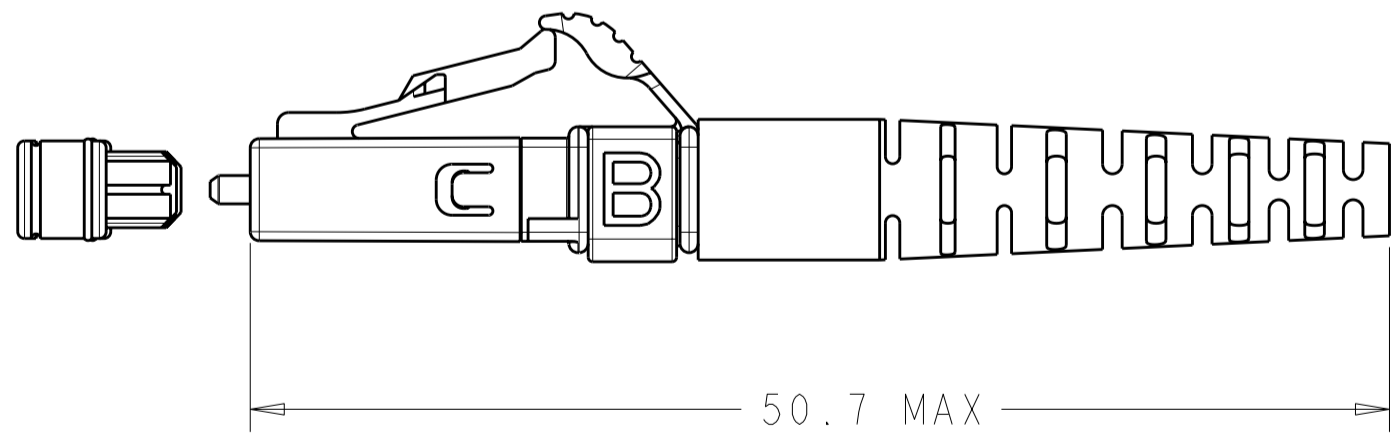
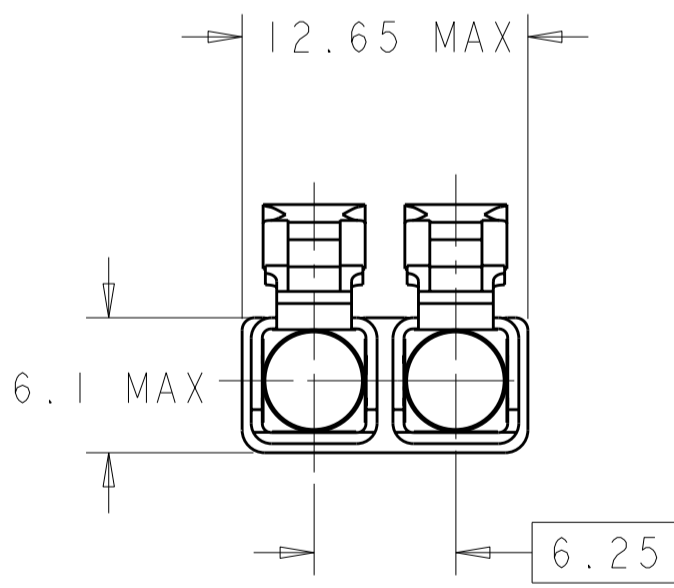
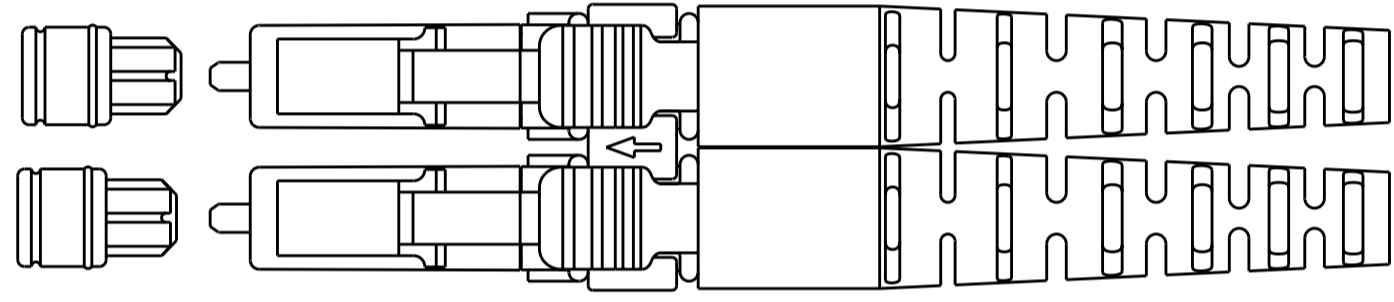


THIS DRAWING IS UNPUBLISHED. RELEASED FOR PUBLICATION 20  
 © COPYRIGHT 20 BY TYCO ELECTRONICS CORPORATION. ALL RIGHTS RESERVED.

| LOC | DIST | REVISIONS   |                          |           |        |
|-----|------|-------------|--------------------------|-----------|--------|
| P   | LTR  | DESCRIPTION | DATE                     | DWN       | APVD   |
| CE  | 00   | A           | RELEASE TO ACTIVE STATUS | 09JUN2006 | ESM DR |
|     |      | AI          | PRINT STANDARDIZATION    | 23JUL2008 | BB CB  |

① MATERIAL: PROTECTIVE COVER: TPE, COLOR:BLACK, UL 94 HB. \*  
 FERRULE SUB ASSEMBLY: ZIRCONIA/METAL.  
 COMPRESSION SPRING: STAINLESS STEEL  
 FRONT HOUSING: PEI, COLOR:BEIGE, UL 94 V-0. \*  
 INNER TUBING: PTFE, COLOR:CLEAR, UL VW-1.  
 REAR BODY: PEI/METAL, COLOR:BEIGE, UL 94 V-0. \*  
 DUPLEX CLIP: PEI, COLOR:BEIGE, UL 94 V-0. \*  
 BOOT: PP, COLOR:BEIGE, UL 94 V-0. \*  
 CRIMP EYELET/HEAT SHRINK ASSY: ALUM. ALLOY, HEAT SHRINK: POLYOLEFIN, UL VW-1.  
 \*RATED AT QUALIFYING THICKNESS.

② BULK PACKAGED  
 3. INSTRUCTION SHEET: 408-8675.



|   |                   |             |
|---|-------------------|-------------|
| ② | YELLOW / WHITE    | 6588707-4   |
|   | YELLOW / WHITE    | 6588707-3   |
| ② | WHITE             | 6588707-2   |
|   | WHITE             | 6588707-1   |
|   | HEAT SHRINK COLOR | PART NUMBER |

|   |  |                                   |  |                    |
|---|--|-----------------------------------|--|--------------------|
| THIS DRAWING IS A CONTROLLED DOCUMENT FOR TYCO ELECTRONICS CORPORATION. IT IS SUBJECT TO CHANGE AND THE CONTROLLING ENGINEERING ORGANIZATION SHOULD BE CONTACTED FOR THE LATEST REVISION. |  | DWN<br>E. HOPKINS<br>01 JUN 2005  | Tyco Electronics<br>Harrisburg, PA 17105-3608                |                    |
| DIMENSIONS:<br>mm   |  | CHK<br>D. ROHDE<br>01 JUN 2005    | NAME<br>KIT, CONNECTOR, LC, DUPLEX,<br>MM, 1.6-20. mm JACKET |                    |
| TOLERANCES UNLESS OTHERWISE SPECIFIED:<br>0 PLC ±<br>1 PLC ±<br>2 PLC ±<br>3 PLC ±<br>4 PLC ±<br>ANGLES ±<br>FINISH   |  | APVD<br>S. BUCHTER<br>01 JUN 2005 | PRODUCT SPEC<br>-  | RESTRICTED TO<br>- |
| MATERIAL<br>① -   |  | APPLICATION SPEC<br>-             | WEIGHT<br>-  | SIZE<br>A2         |
| CUSTOMER DRAWING  |  | SCALE<br>3:1                      | DRAWING NO.<br>00779   | SHEET<br>1         |
|   |  |                                   | DRAWING NO.<br>6588707                                       | REV<br>A1          |