



Chipsmall Limited consists of a professional team with an average of over 10 year of expertise in the distribution of electronic components. Based in Hongkong, we have already established firm and mutual-benefit business relationships with customers from,Europe,America and south Asia,supplying obsolete and hard-to-find components to meet their specific needs.

With the principle of “Quality Parts,Customers Priority,Honest Operation,and Considerate Service”,our business mainly focus on the distribution of electronic components. Line cards we deal with include Microchip,ALPS,ROHM,Xilinx,Pulse,ON,Everlight and Freescale. Main products comprise IC,Modules,Potentiometer,IC Socket,Relay,Connector.Our parts cover such applications as commercial,industrial, and automotives areas.

We are looking forward to setting up business relationship with you and hope to provide you with the best service and solution. Let us make a better world for our industry!



Contact us

Tel: +86-755-8981 8866 Fax: +86-755-8427 6832

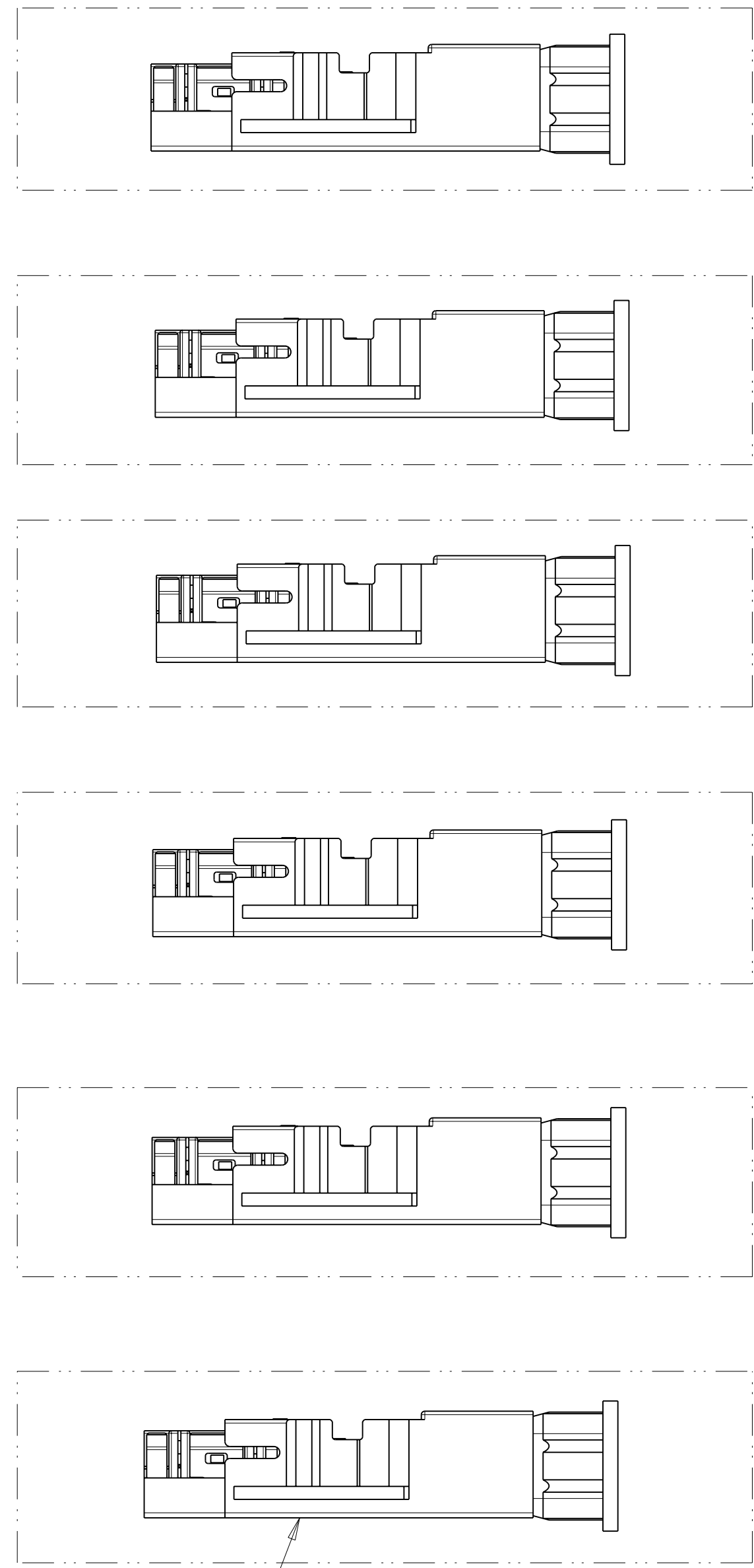
Email & Skype: info@chipsmall.com Web: www.chipsmall.com

Address: A1208, Overseas Decoration Building, #122 Zhenhua RD., Futian, Shenzhen, China

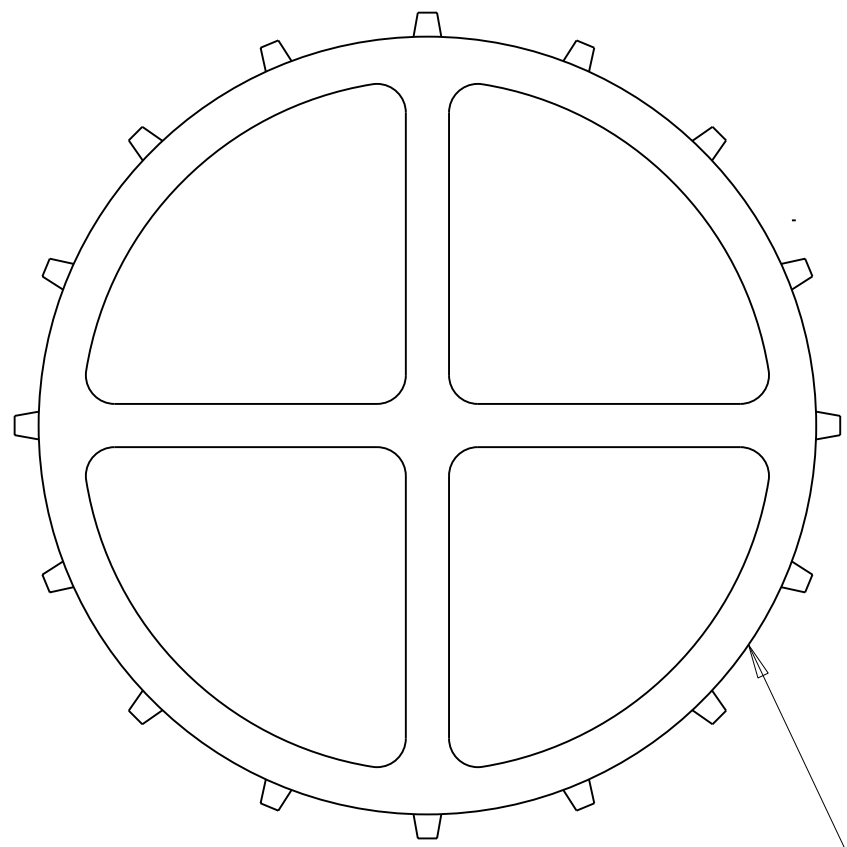


THIS DRAWING IS UNPUBLISHED. RELEASED FOR PUBLICATION .19
 BY AMP INCORPORATED. ALL RIGHTS RESERVED.

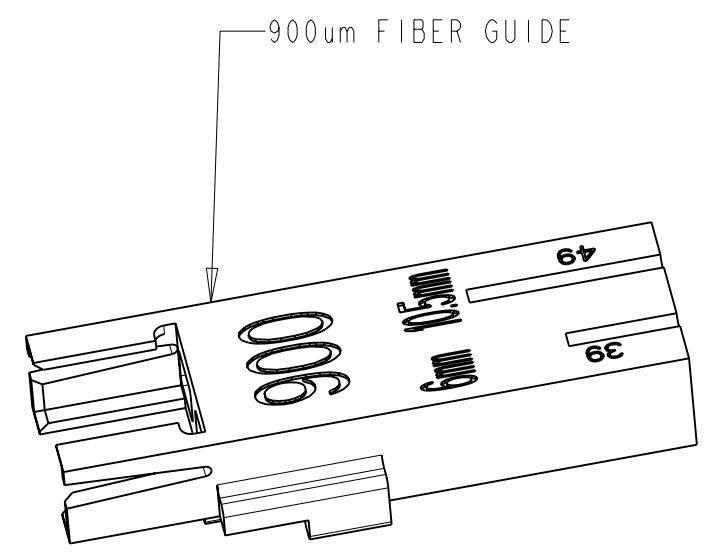
LOC	DIST	REVISIONS					
CE	00	P	LTR	DESCRIPTION	DATE	DWN	APVD
		A		REV PER ECR-06-003731	16FEB2006	BB	DK



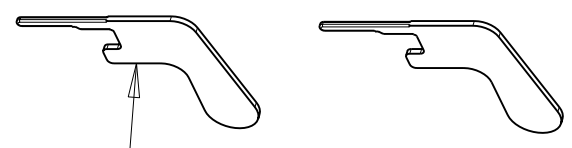
MT-RJ SECURE JACK MODULE ASSEMBLY



ICON WHEEL



900um FIBER GUIDE



MT-RJ ACTUATION KEY

SLATE (K10)	1-6588879-0
ORANGE (K9)	6588879-9
VIOLET (K8)	6588879-8
BROWN (K7)	6588879-7
AQUA (K6)	6588879-6
ROSE (K5)	6588879-5
BLUE (K4)	6588879-4
GREEN (K3)	6588879-3
YELLOW (K2)	6588879-2
RED (K1)	6588879-1
DESCRIPTION	PART NUMBER

<small>THIS DRAWING IS A CONTROLLED DOCUMENT FOR AMP INCORPORATED. IT IS SUBJECT TO CHANGE AND THE CONTROLLING ENGINEERING ORGANIZATION SHOULD BE CONTACTED FOR THE LATEST REVISION.</small>		DWN B. BRIGGS 01NOV2005 CHR D. KIRSCH 01NOV2005 APVD S. BUCHTER 07NOV2005	AMP AMP Incorporated Harrisburg, PA 17105-3608	
DIMENSIONS: mm 	TOLERANCES UNLESS OTHERWISE SPECIFIED: 0 PLC ± 1 PLC ± 2 PLC ± 3 PLC ± 4 PLC ± ANGLES ± FINISH -	PRODUCT SPEC - APPLICATION SPEC - WEIGHT -	NAME MT-RJ SECURE JACK KIT, 6-PACK, 50/125, 900um SIZE A2 CAGE CODE 00779 DRAWING NO. C-6588879	
CUSTOMER DRAWING			SCALE NTS	SHEET 1 OF 1 REV A