



Chipsmall Limited consists of a professional team with an average of over 10 year of expertise in the distribution of electronic components. Based in Hongkong, we have already established firm and mutual-benefit business relationships with customers from,Europe,America and south Asia,supplying obsolete and hard-to-find components to meet their specific needs.

With the principle of “Quality Parts,Customers Priority,Honest Operation,and Considerate Service”,our business mainly focus on the distribution of electronic components. Line cards we deal with include Microchip,ALPS,ROHM,Xilinx,Pulse,ON,Everlight and Freescale. Main products comprise IC,Modules,Potentiometer,IC Socket,Relay,Connector.Our parts cover such applications as commercial,industrial, and automotives areas.

We are looking forward to setting up business relationship with you and hope to provide you with the best service and solution. Let us make a better world for our industry!



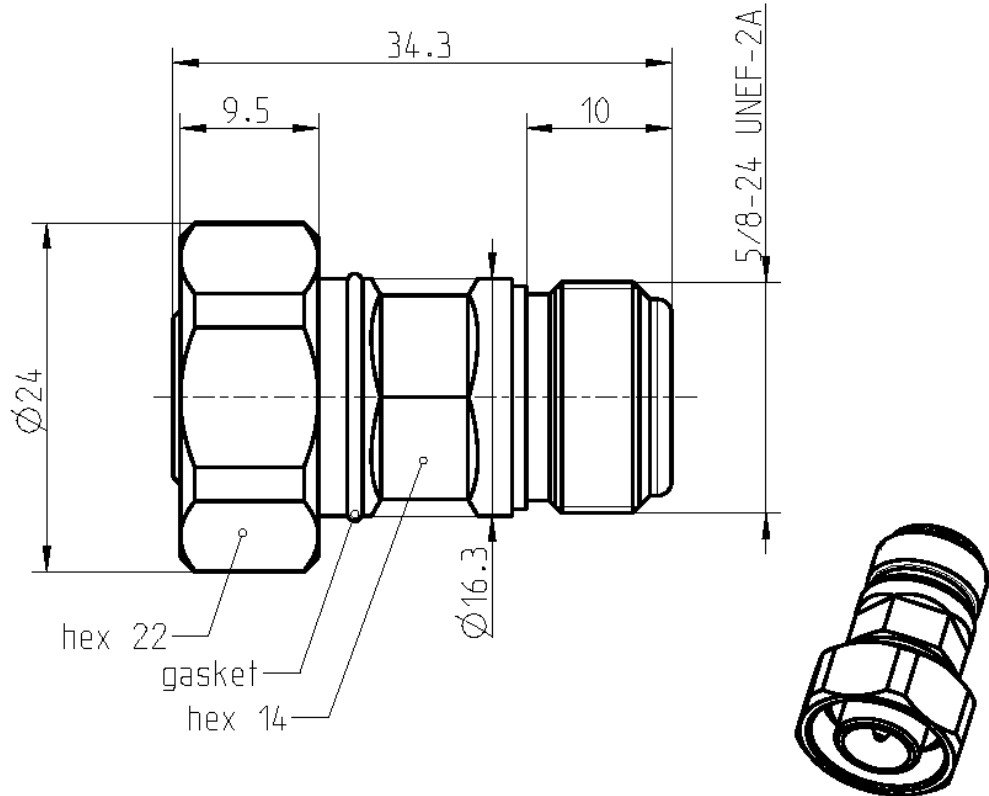
Contact us

Tel: +86-755-8981 8866 Fax: +86-755-8427 6832

Email & Skype: info@chipsmall.com Web: www.chipsmall.com

Address: A1208, Overseas Decoration Building, #122 Zhenhua RD., Futian, Shenzhen, China





All dimensions are in mm; tolerances according to ISO 2768 m-H

Interface

According to	4.1-9.5 side:	IEC 60169-11, DIN 47231
	N side:	IEC 61169-16, MIL-PRF-39012, CECC 22210

Material and plating

Connector parts

Center contact
Outer contact
Dielectric
Gasket

Material

CuBe
Brass
PTFE
Silicone

Plating

Silver, 3-6 μ m
Flash white bronze over silver(e.g. Optargen®)

4.1-9.5 Adaptor
4.1-9.5 Plug – N Jack

65S153-KIMN1

Electrical data

Impedance 50 Ω
 Frequency DC to 14 GHz
 Return loss ≥ 35 dB @ DC to 2.7 GHz
 ≥ 32 dB @ 2.7 GHz to 4 GHz
 ≥ 30 dB @ 4 GHz to 6 GHz
 Insertion loss ≤ 0.1 x √f [GHz] dB
 Insulation resistance ≥ 5 GΩ
 Center contact resistance ≤ 1 mΩ
 Outer contact resistance ≤ 0.25 mΩ
 Test voltage (at sea level) 2500 V rms
 Working voltage (at sea level) 500 V rms
 Power handling (at 20 °C, sea level, VSWR 1.0) 1000 W @ 1 GHz
 700 W @ 2 GHz
 RF-leakage ≥ 114 dB @ DC to 1 GHz
 Intermodulation (3rd order) ≥ 155 dBc (2 x 43 dBm)

Mechanical data

Mating cycles ≥ 500
 Coupling nut retention ≥ 500 N
 Center contact captivation: axial ≥ 80 N
 Coupling torque (recommended) 4.1-9.5 10 Nm
 N 0.7 Nm to 1.1 Nm
 Proof torque 4.1-9.5 15 Nm
 N 1.7 Nm

Environmental data

Temperature range -40 °C to +85 °C
 Climatic category IEC 60068-1 (40/85/21)
 Dry Heat IEC 60169-1, Sub-clause 16.2.1
 Damp Heat (steady state) IEC 60169-1, Sub-clause 16.2.2
 Cold IEC 60169-1, Sub-clause 16.2.3
 Rapid change of temperature IEC 60169-1, Sub-clause 16.4
 Corrosion resistance IEC 60169-1, Sub-clause 16.7
 Vibration IEC 60169-1, Sub-clause 15.2.2
 Degree of protection (mated pair) IEC 60529, IP68 2.5 bar 1 h
 RoHS compliant

Weight

Weight 46.15 g/pce

While the information has been carefully compiled to the best of our knowledge, nothing is intended as representation or warranty on our part and no statement herein shall be construed as recommendation to infringe existing patents. In the effort to improve our products, we reserve the right to make changes judged to be necessary.

Draft	Date	Approved	Date	Rev.	Engineering change number	Name	Date
M. Wimmer	22.08.2013	A_Gasteiger	30.11.15	a00	15-s434	S. Huber-Siegl	30.11.15

Rosenberger Hochfrequenztechnik GmbH & Co. KG P.O.Box 1260 D-84526 Tittmoning Germany www.rosenberger.de				Tel. : +49 8684 18-0 Email : info@rosenberger.de		Page 2 / 2
--	--	--	--	--	--	---------------