



Chipsmall Limited consists of a professional team with an average of over 10 year of expertise in the distribution of electronic components. Based in Hongkong, we have already established firm and mutual-benefit business relationships with customers from,Europe,America and south Asia,supplying obsolete and hard-to-find components to meet their specific needs.

With the principle of “Quality Parts,Customers Priority,Honest Operation,and Considerate Service”,our business mainly focus on the distribution of electronic components. Line cards we deal with include Microchip,ALPS,ROHM,Xilinx,Pulse,ON,Everlight and Freescale. Main products comprise IC,Modules,Potentiometer,IC Socket,Relay,Connector.Our parts cover such applications as commercial,industrial, and automotives areas.

We are looking forward to setting up business relationship with you and hope to provide you with the best service and solution. Let us make a better world for our industry!



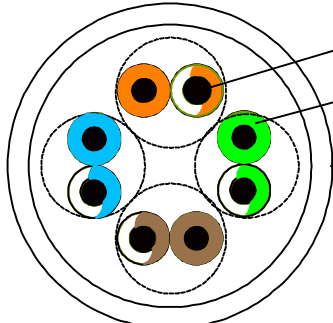
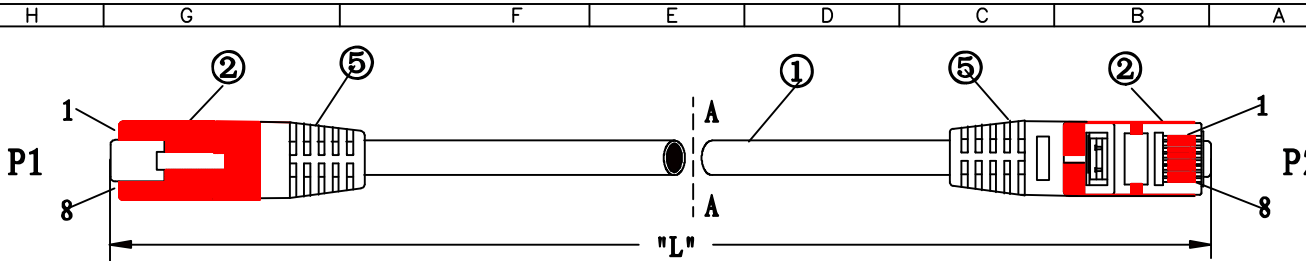
Contact us

Tel: +86-755-8981 8866 Fax: +86-755-8427 6832

Email & Skype: info@chipsmall.com Web: www.chipsmall.com

Address: A1208, Overseas Decoration Building, #122 Zhenhua RD., Futian, Shenzhen, China





CONDUCTOR: [CAT. 6 UTP 24AWG (0.2/7) BARE STRANDED COPPER] X4PR
 INSULATION: [PE OD: 0.95 ± 0.03] X4PR
 JACKET: PVC UL 56P CAT. 6 UTP OD: 5.7 ± 0.2

TERMINATION: 568B.

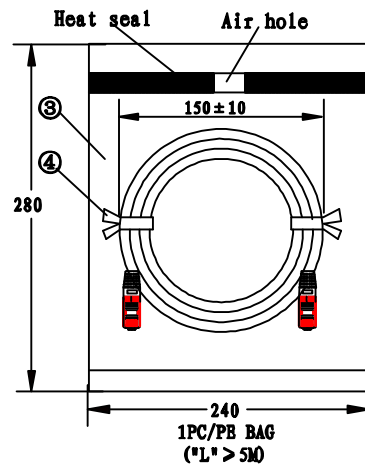
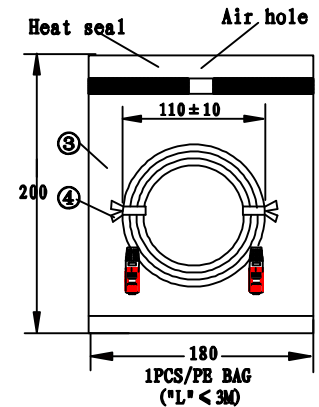
1. COLOR: [(WHITE/ORANGE, ORANGE) TWIST
 (WHITE/GREEN, GREEN) TWIST
 (WHITE/BLUE, BLUE) TWIST
 (WHITE/BROWN, BROWN) TWIST] X4PR

P1	P2	COLOR
1	1	WHITE/ORANGE
2	2	ORANGE
3	3	WHITE/GREEN
6	6	GREEN
5	5	WHITE/BLUE
4	4	BLUE
7	7	WHITE/BROWN
8	8	BROWN

2. BLUE INK MARKING: AWM 2835 24AWG 60°C 30V FT2 E237114 CSA 219561
 AWM 24AWG II A 60°C 30V FT2 ETL VERIFIED CAT. 6 UTP
 TIA/EIA-568B.2 CM 4PR CABLETECH TECHNOLOGY (GM-1013)

"RoHS"

NO	ITEM	DESCRIPTION	Q' TY
①	CABLE		1 PCS
②	PLUG	8P8C/R 50U" Shield W/T Nickel plated	2 PCS
③	PE BAG	200X180MM04 (180MM Open) ("L" < 3M) 280X240MM04 (240MM Open) ("L" > 5M)	1 PCS
④	CABLE TIE	L=90MM ("L"=0.5M/1M) 1PCS L=110MM ("L"=2M) L=150MM ("L"=3M/5M) L=180MM ("L"=7M/10M) L=250MM ("L"=15M/20M) COLOR: WHITE	2 PCS
⑤	SR	2002-3107 [PVC 55P COLOR: GR-525]	
⑥			



PART NO	DRAWING NO	CABLE LENGTH "L"	BUYER COLOR	VENDOR COLOR	CUT LENGTH
660-00UTP-GR-00050	A	500 ± 20	GRAY	GR-525 LIGHT	510-520MM
660-00UTP-GR-00100	B	1000 ± 30	GRAY	GR-525 LIGHT	1020-1030MM
660-00UTP-GR-00200	C	2000 ± 40	GRAY	GR-525 LIGHT	2030-2040MM
660-00UTP-GR-00300	D	3000 ± 50	GRAY	GR-525 LIGHT	3030-3050MM
660-00UTP-GR-00500	E	5000 ± 60	GRAY	GR-525 LIGHT	5040-5060MM
660-00UTP-GR-01000	F	10000 ± 100	GRAY	GR-525 LIGHT	10050-10100MM
660-00UTP-GR-01500	G	15000 ± 150	GRAY	GR-525 LIGHT	15100-15150MM
660-00UTP-GR-02000	H	20000 ± 200	GRAY	GR-525 LIGHT	20100-20200MM
660-00UTP-GR-03000	I	30000 ± 300	GRAY	GR-525 LIGHT	30100-30300MM

REVISE	VERSION	BASIS	CONTENT
12-02-23	A/0	T0222B	NEW DRAWING

CnC Tech, LLC			
Industrial Cable and Connector Technology			
IDRAWING NO:	671-004-GR	CUSTOMER:	L-671
ITEM NO:	CAT. 6 UTP NO CROSS 24AWG 4PR P+P+SR	UNIT:	mm
DATE:	2012-02-23	ISSUE:	(A/0)
DRAWN:		QA:	
SALES DEPT:		SALES MANAGER:	