



Chipsmall Limited consists of a professional team with an average of over 10 year of expertise in the distribution of electronic components. Based in Hongkong, we have already established firm and mutual-benefit business relationships with customers from,Europe,America and south Asia,supplying obsolete and hard-to-find components to meet their specific needs.

With the principle of "Quality Parts,Customers Priority,Honest Operation,and Considerate Service",our business mainly focus on the distribution of electronic components. Line cards we deal with include Microchip,ALPS,ROHM,Xilinx,Pulse,ON,Everlight and Freescale. Main products comprise IC,Modules,Potentiometer,IC Socket,Relay,Connector.Our parts cover such applications as commercial,industrial, and automotives areas.

We are looking forward to setting up business relationship with you and hope to provide you with the best service and solution. Let us make a better world for our industry!



## Contact us

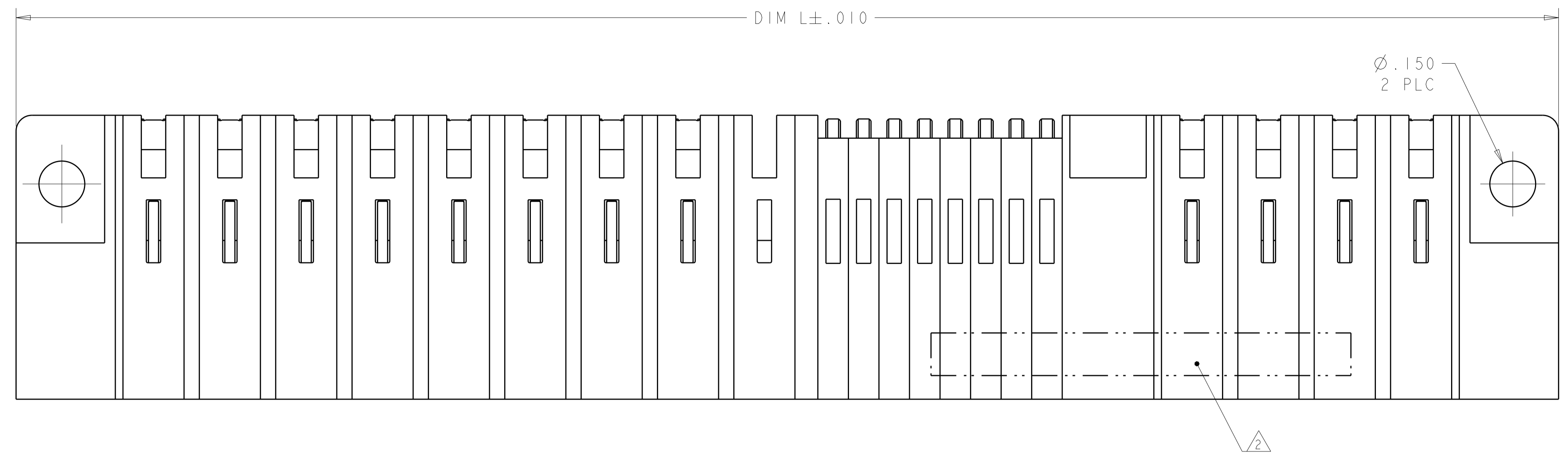
Tel: +86-755-8981 8866 Fax: +86-755-8427 6832

Email & Skype: info@chipsmall.com Web: www.chipsmall.com

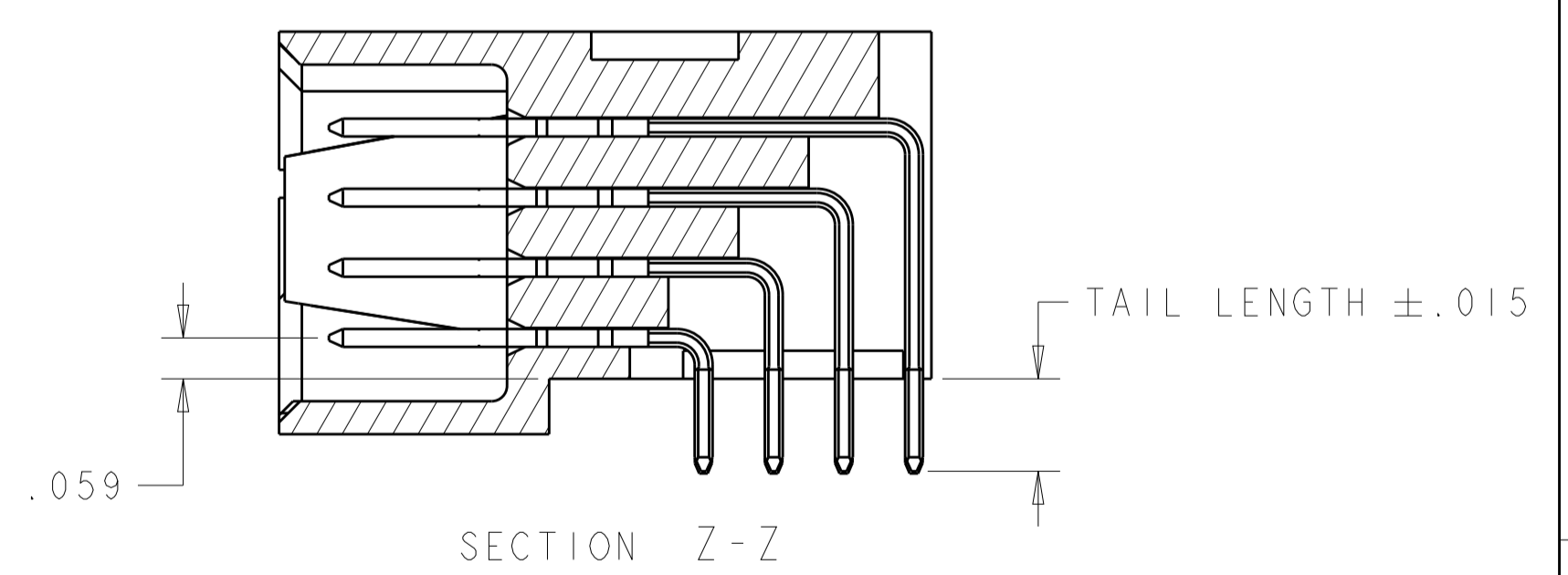
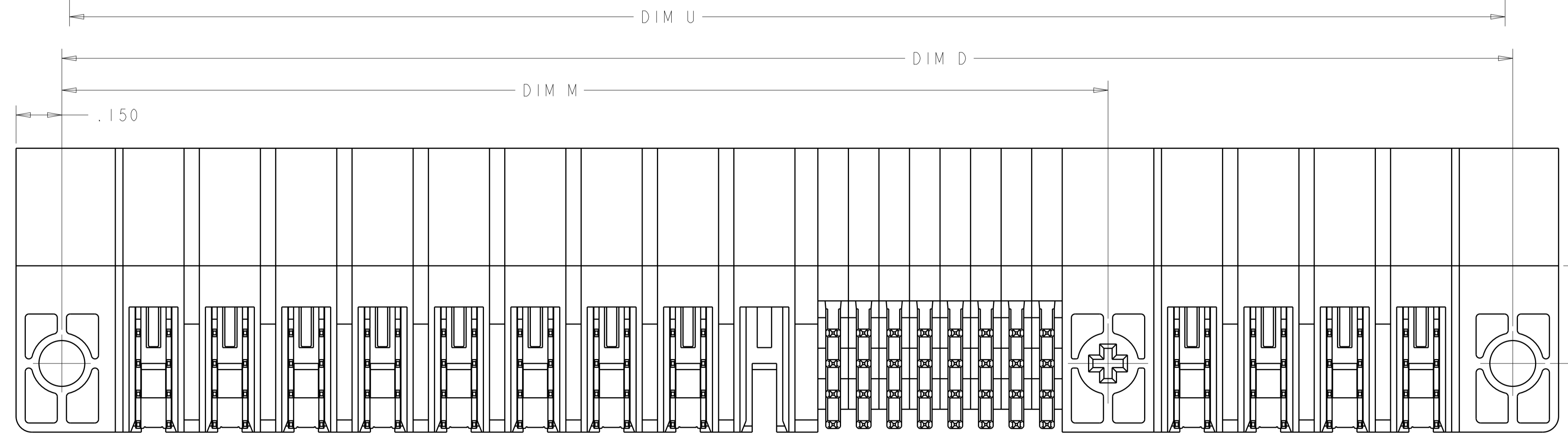
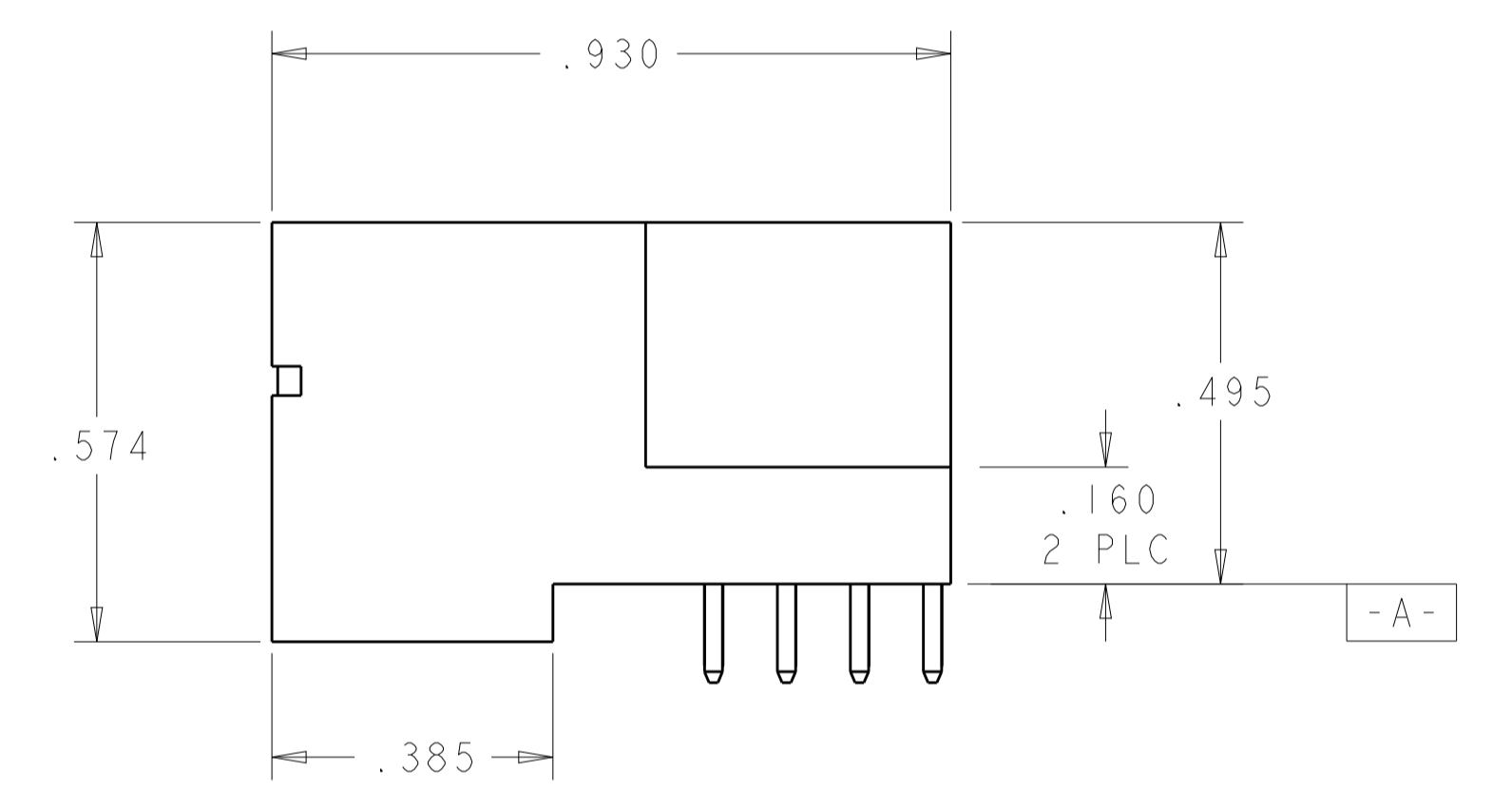
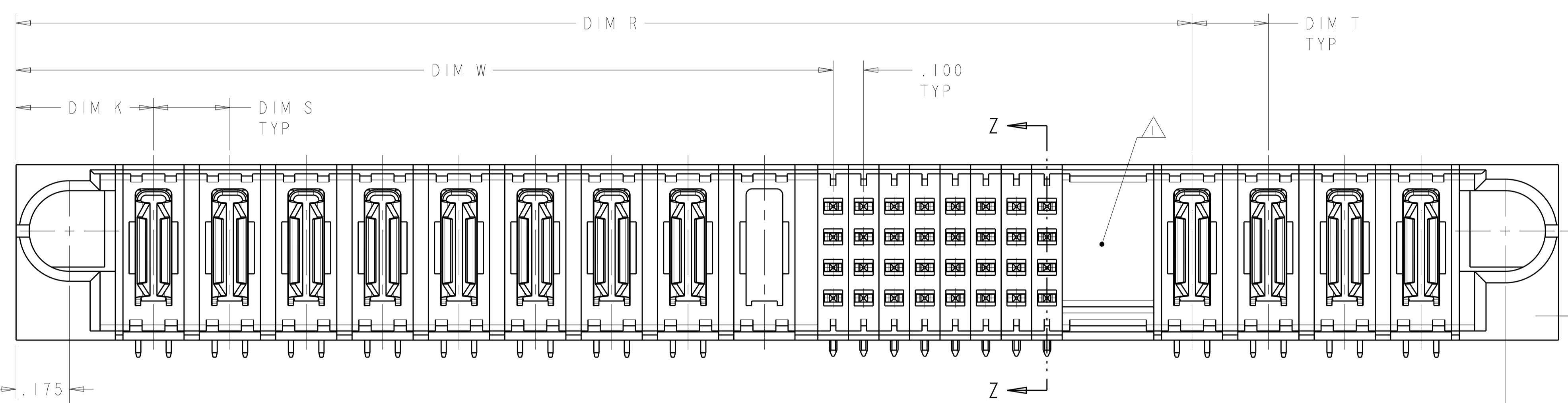
Address: A1208, Overseas Decoration Building, #122 Zhenhua RD., Futian, Shenzhen, China



REVISIONS				
P.	LTN.	DESCRIPTION	DATE	DMN. APVD.
E6		REVISED FOR 1-2	16MAY2014	CZ SZ
E7		ADD NEW DASH NUMBER 1-4	02JAN2015	CZ SZ



- 1 OPTIONAL CENTER MODULE
- 2 "AMP", PART NUMBER, AND DATE CODE TO BE MARKED IN AREA SHOWN. PARTS UNDER 2.00 LONG MAY BE MARKED ON BOTH SIDES.
- 3 MATERIAL: HOUSING - GLASS FILLED HIGH TEMP THERMO PLASTIC, UL94 V-0  
SIGNAL CONTACT - COPPER ALLOY  
POWER CONTACT - HIGH CONDUCTIVITY COPPER ALLOY
- 4 CONTACT PLATING: SIGNAL CONTACTS - .000050 MIN NI UNDER ALL.  
.000030 MIN Au ON CONTACT AREA.  
.000100 MIN Sn AT PCB INTERFACE.  
POWER CONTACTS - .000050 MIN NI UNDER ALL.  
.000030 MIN Au ON CONTACT AREA.  
.000100 MIN Sn AT PCB INTERFACE.
- 5 MECHANICAL CONNECTOR KEEP OUT ZONE.
- 6 DATUM AND BASIC DIMENSIONS ESTABLISHED BY CUSTOMER.
- 7 PCB - ALL HOLE DIAMETERS ARE FINISHED HOLE SIZES.
- 8 PCB - .0453 +/- .0010 DRILLED HOLES PLATED WITH .0003 MIN Sn OVER .001 TO .003 PLATING TO ACHIEVE A .040 DIA. HOLE.
- 9 VARIABLE DIMENSIONS SHOW ON VIEW (SHEET 5).

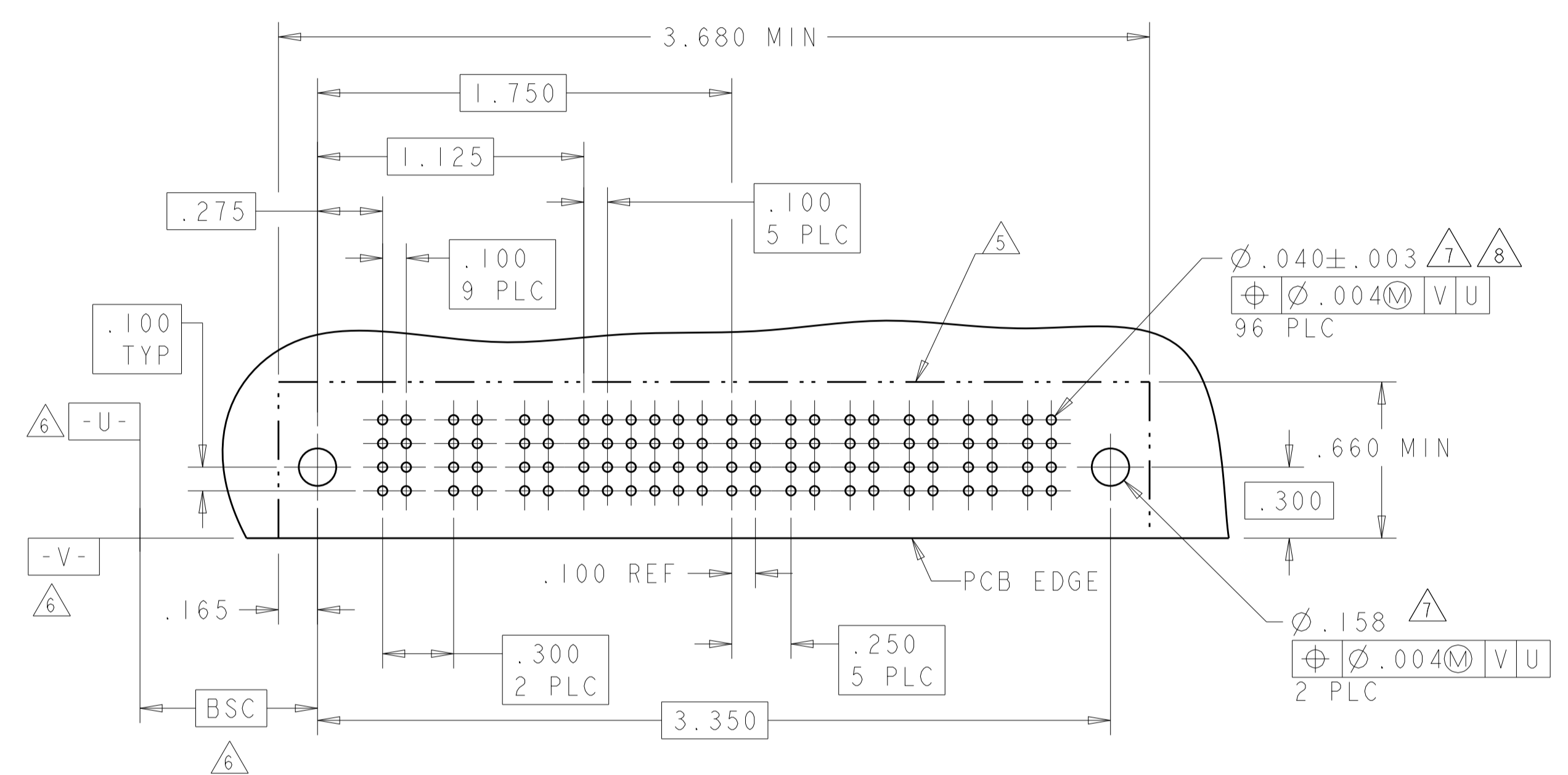
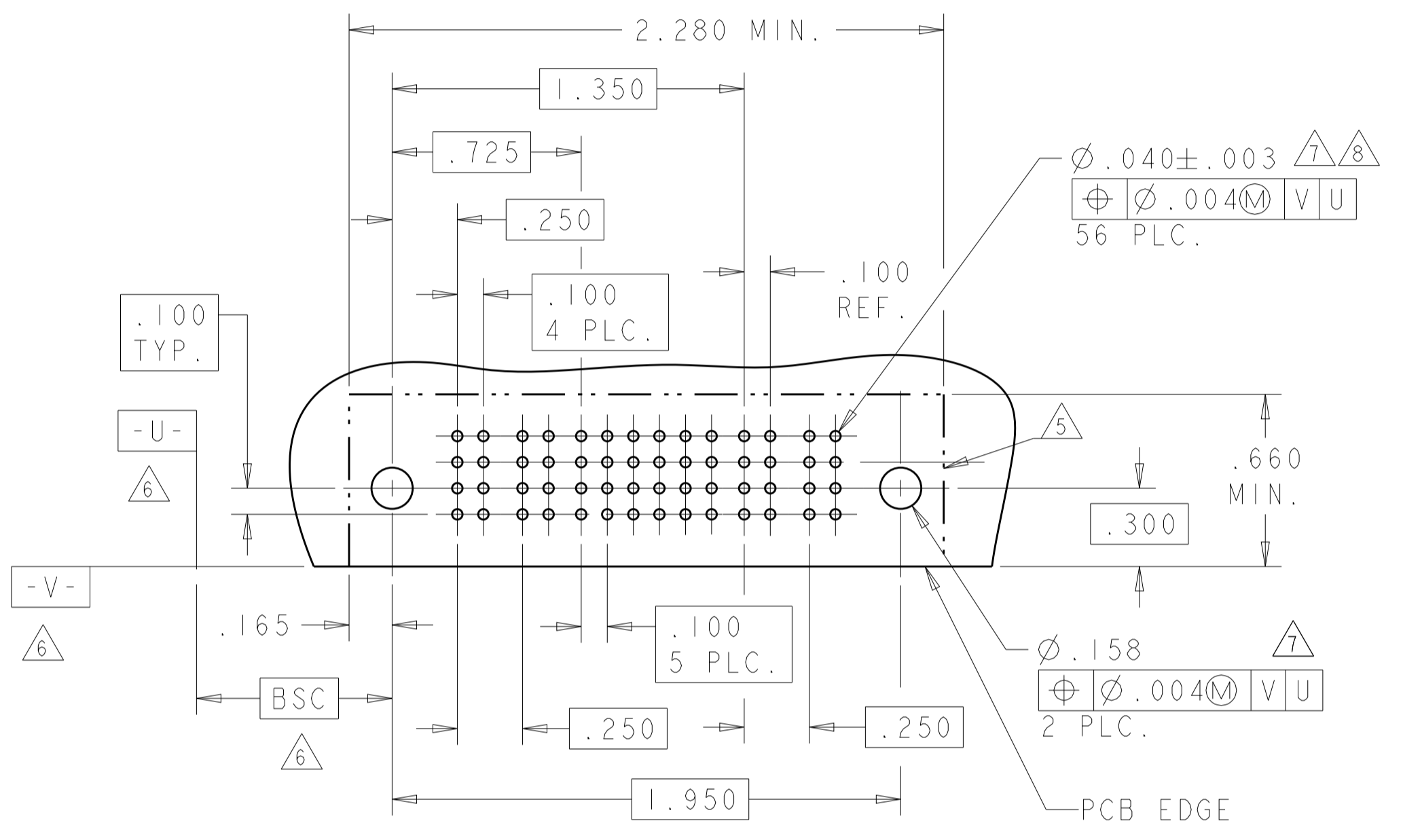


THIS DRAWING IS A CONTROLLED DOCUMENT.		DMN. R. GRZYBOWSKI 13JUN05	TE Connectivity
DIMENSIONS: INCHES		CHK. M. PERCHERKE 13JUN05	
TOLERANCES UNLESS OTHERWISE SPECIFIED:		APVD. M. PERCHERKE	NAME
0 PLC ±.01	1 PLC ±.01	PRODUCT SPEC	RIGHT ANGLE HEADER W/GUIDES ASSEMBLY
2 PLC ±.005	3 PLC ±.005	APPLICATION SPEC	MULTI-BEAM XL (DUAL-BEAM POWER)
4 PLC ±.0020	ANGLES ±.7°	SIZE CAGE CODE DRAWING NO	RESTRICTED TO
MATERIAL	FINISH	WEIGHT	A1
CUSTOMER DRAWING		SCALE 4:1	SHEET 1 OF 7

REVISIONS				
P.	LTN	DESCRIPTION	DATE	APVD
-	-	SEE SHEET 1	-	-

PART NUMBER	ROWS	POWER		SIGNAL						POWER			
		P1	P2	1	2	3	4	5	6	P3	P4		
6600132-1	D C B A	PS	PS	J	J	J	J	J	J	PS	PS		
				K	K	K	K	K	K				
				N	N	N	G	N	N				
				S	S	S	S	S	S				
2P + 24S + 2P													

PART NUMBER	ROWS	POWER			SIGNAL						POWER						
		P1	P2	P3	1	2	3	4	5	6	P4	P5	P6	P7	P8	P9	
6600132-2	D C B A	PS	PS	PS	J	J	J	J	J	J	PS	PS	PS	PS	PS	PS	PS
					K	K	K	K	K	K							
					N	N	N	N	N	N							
					H	S	S	S	S	S							
3ACP + 24S + 6P																	



FK	MFBL	.135	C
A4	MLBF	.090	D
A3	MLBF	.090	C
A2	MLBF	.090	B
A1	MLBF	.090	A
E	MLBF	.135	D
F	MLBF	.135	C
G	MLBF	.135	B
H	MLBF	.135	A
Z	STD	.090	D
Y	STD	.090	C
R	STD	.090	B
O	STD	.090	A
J	STD	.135	D
K	STD	.135	C
N	STD	.135	B
S	STD	.135	A
CODE	MATING SEQUENCE	TAIL LENGTH	ROW
SIGNAL CONTACT			

PL	.090
PS	.135
CODE	TAIL LENGTH
POWER CONTACT	

2.900	.250	.250	2.050	1.375	2.950	-	3.250	.450	4P + 24S + 4P	1-6600132-4	
2.200	.250	.250	1.350	.875	2.250	-	2.550	.450	2P + 16S + 4P	1-6600132-2	
1.900	.250	.250	1.550	.875	1.950	-	2.250	.450	2P + 24S + 2P	1-6600132-1	
1.200	-	-	1.100	.625	1.250	-	1.550	.450	1P + 16S + 1P	1-6600132-0	
2.200	.200	.200	1.725	1.025	2.250	-	2.550	.425	3P + 24S + 3P	6600132-9	
3.550	.200	△	2.225	1.925	3.600	-	3.900	.500	7P + 8S + 7P	6600132-7	
2.500	.250	.250	2.150	1.425	2.550	-	2.850	.450	4P + 24S + 2P	6600132-6	
4.500	.250	.250	2.900	2.125	4.550	-	4.850	.450	7P + 28S + 7P	6600132-5	
1.575	-	-	1.425	.700	1.625	-	1.925	.475	1P + 24S + 1P	6600132-4	
1.575	.250	.250	1.425	.700	1.625	-	1.925	.475	1P + 24S + 1P	6600132-3	
3.300	.300	.250	1.950	1.275	3.350	-	3.650	.475	3ACP + 24S + 6P	6600132-2	
1.900	.250	.250	1.550	0.875	1.950	-	2.250	.450	2P + 24S + 2P	6600132-1	
DIM	U	S	T	R	W	D	M	L	K	DESCRIPTION	PART NUMBER

THIS DRAWING IS A CONTROLLED DOCUMENT. DWG: R. GRZYBOWSKI 13JUN05, CHK: M. PERCHERKE 13JUN05, APVD: M. PERCHERKE

TE Connectivity

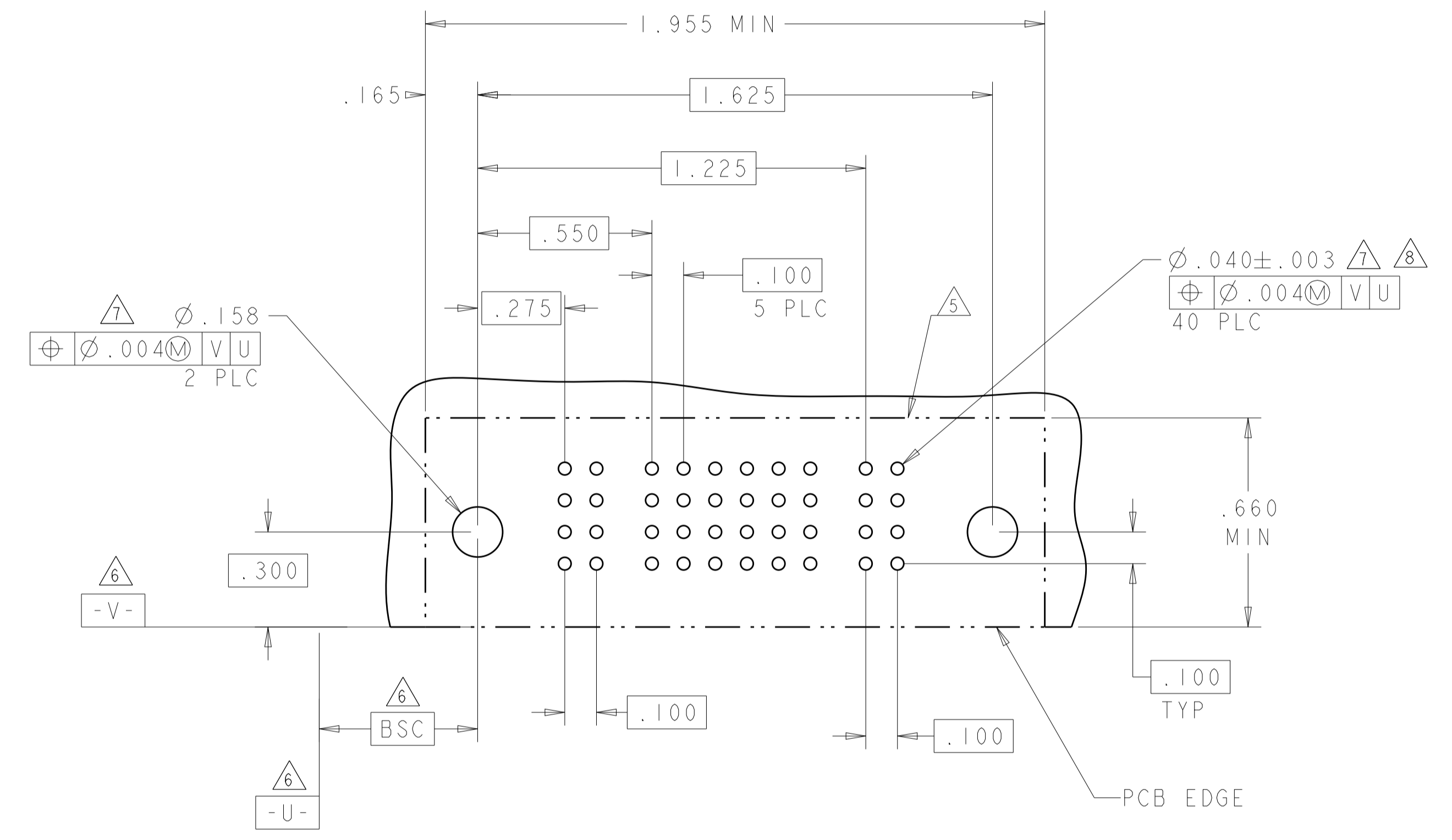
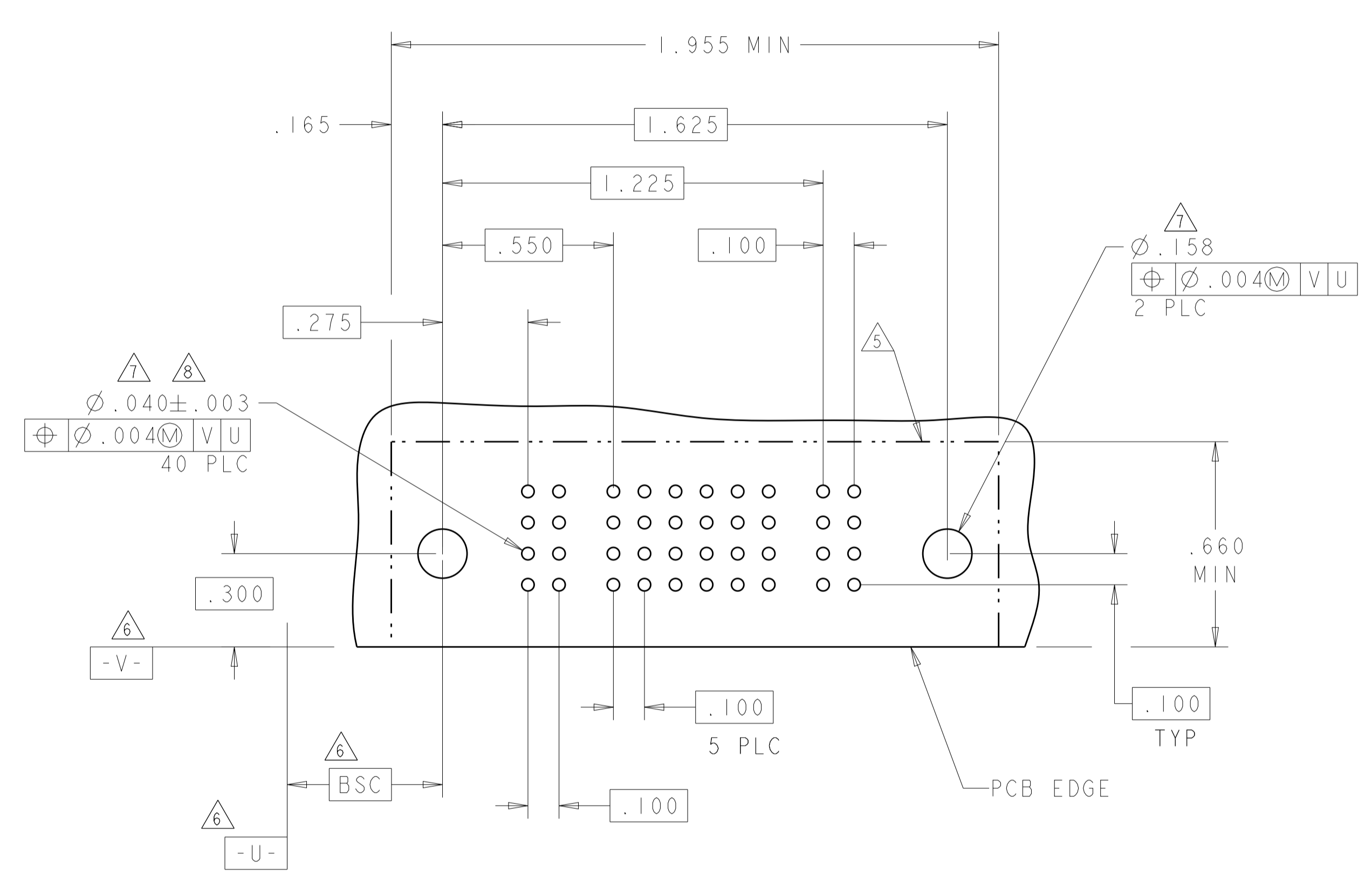
RIGHT ANGLE HEADER W/GUIDES ASSEMBLY MULTI-BEAM XL (DUAL-BEAM POWER)

SCALE 4:1 SHEET 2 OF 7 REV E7

REVISIONS				
P.	LTN.	DESCRIPTION	DATE	APVD.
-	-	SEE SHEET 1	-	-

PART NUMBER	ROWS	POWER		SIGNAL						POWER			
		P1	P2	1	2	3	4	5	6	P1	P2		
6600132-3	D C B A	PS	PS	J	J	J	J	J	J	J	J	PS	PS
				K	K	K	K	K	K	K	K		
				N	N	G	G	N	G	N	N		
				S	S	H	S	S	S	S	S		
IP + 24S + IP													

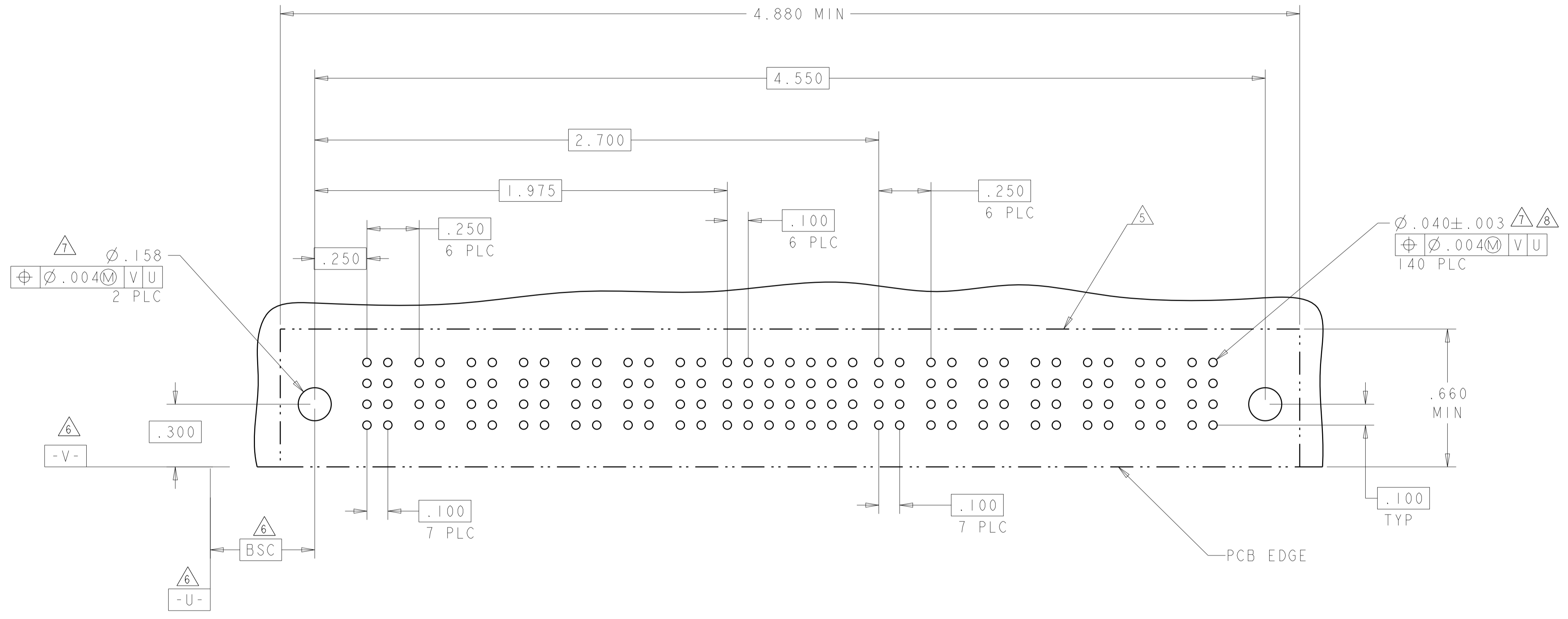
PART NUMBER	ROWS	POWER		SIGNAL						POWER			
		P1	P2	1	2	3	4	5	6	P1	P2		
6600132-4	D C B A	PS	PS	J	J	J	J	J	J	J	J	PS	PS
				K	K	K	K	K	K	K	K		
				N	N	N	G	N	N	N	N		
				S	S	S	S	S	S	S	S		
IP + 24S + IP													



THIS DRAWING IS A CONTROLLED DOCUMENT.		DWN: R. GRZYBOWSKI 13JUN05 CHK: M. PERCHERKE 13JUN05 APVD: M. PERCHERKE NAME:	TE Connectivity
DIMENSIONS: INCHES	TOLERANCES UNLESS OTHERWISE SPECIFIED: 0 PLC ±. 1 PLC ±.01 2 PLC ±.01 3 PLC ±.005 4 PLC ±.0020 ANGLES ±.2°	PRODUCT SPEC: 108-1973 APPLICATION SPEC: 114-13038 WEIGHT:	
MATERIAL:	FINISH:	CUSTOMER DRAWING SCALE: 4:1 SHEET: 3 OF 7 REV: E7	

REVISIONS				
P.	LTN.	DESCRIPTION	DATE	APVD.
-	-	SEE SHEET 1	-	-

PART NUMBER	ROWS	POWER						SIGNAL							POWER						
		P1	P2	P3	P4	P5	P6	P7	1	2	3	4	5	6	7	P8	P9	P10	P11	P12	P13
6600132-5	D C B A	PS	PS	PS	PS	PS	PS	J	J	J	J	J	J	J	PS	PS	PS	PS	PS	PS	PS
		PS	PS	PS	PS	PS	PS	K	K	K	F	K	K	K	PS	PS	PS	PS	PS	PS	PS
		PS	PS	PS	PS	PS	PS	N	N	N	G	N	N	N	PS	PS	PS	PS	PS	PS	PS
7P + 28S + 7P																					

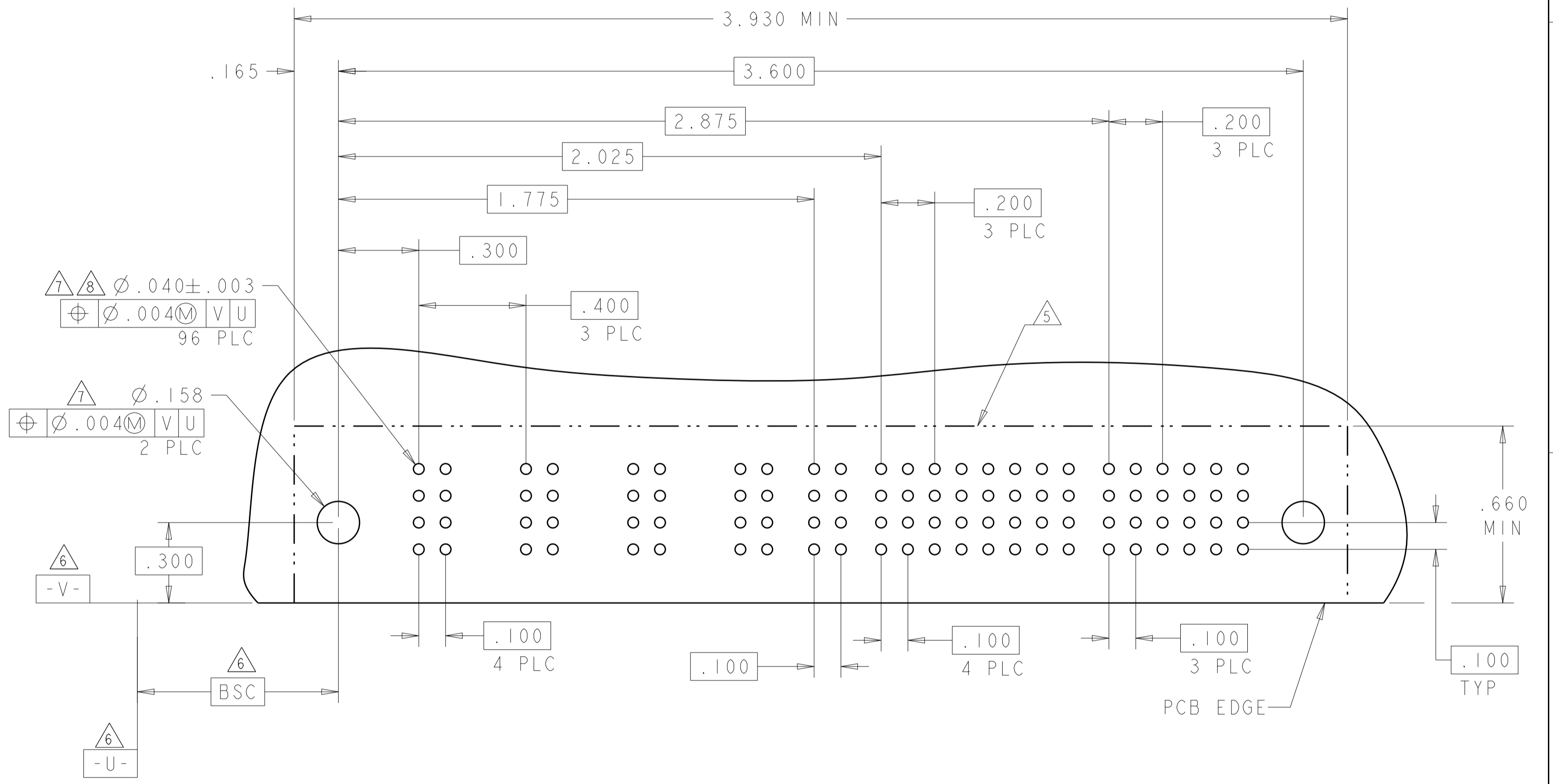
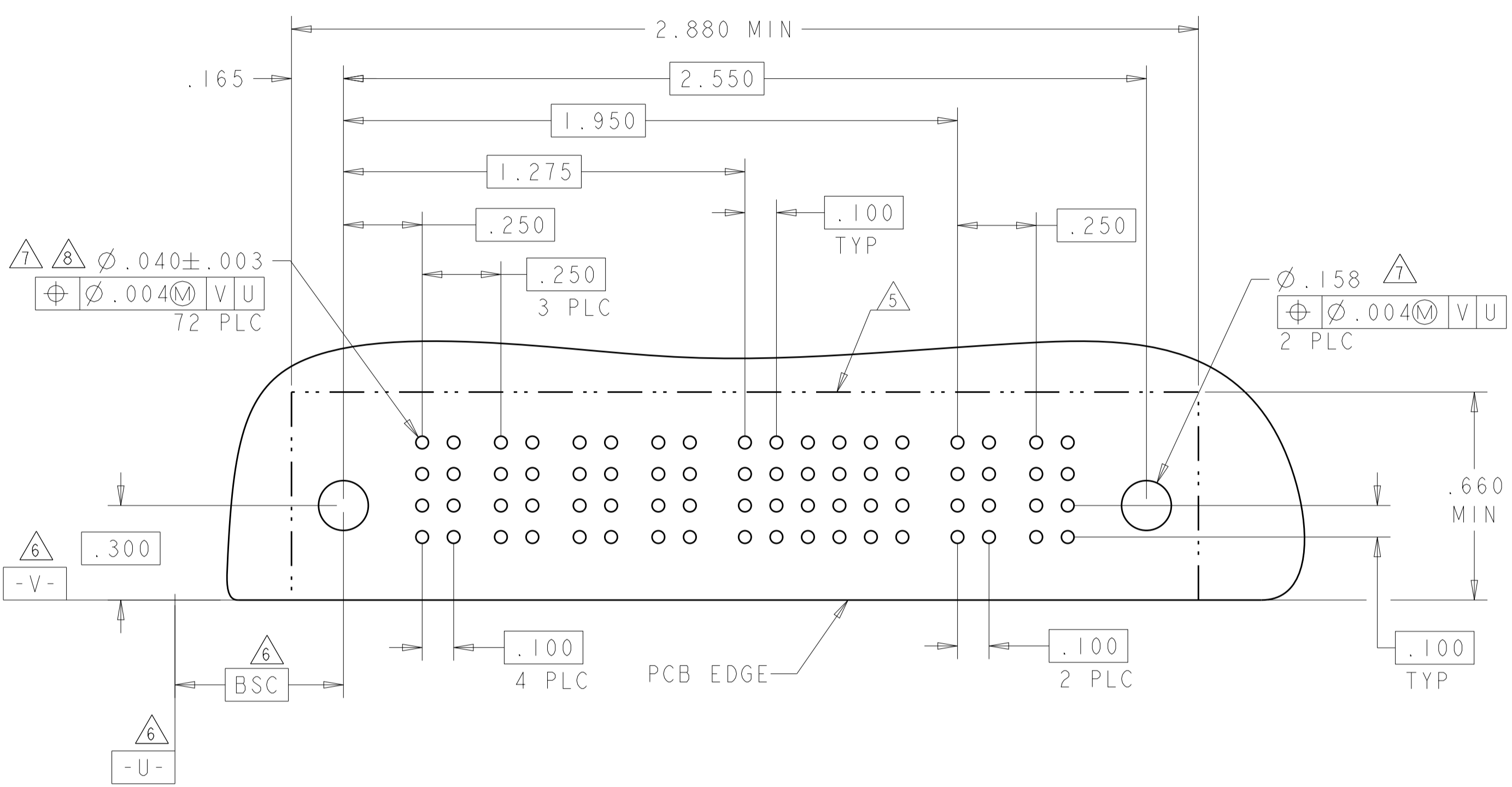


THIS DRAWING IS A CONTROLLED DOCUMENT.		DWN R. GRZYBOWSKI 13JUN05	TE Connectivity
DIMENSIONS: INCHES		CHK M. PERCHERKE 13JUN05	
		APVD M. PERCHERKE	NAME RIGHT ANGLE HEADER W/GUIDES ASSEMBLY
TOLERANCES UNLESS OTHERWISE SPECIFIED:		PRODUCT SPEC 108-1973	MULTI-BEAM XL (DUAL-BEAM POWER)
0 PLC ±. 2 PLC ±.01 3 PLC ±.005 4 PLC ±.0020 ANGLES ±.2°		APPLICATION SPEC 114-13038	RESTRICTED TO
MATERIAL		WEIGHT	SIZE A1
FINISH		CUSTOMER DRAWING	CAGE CODE 6600132
		SCALE 4:1	SHEET 4 OF 7
		REV E7	

REVISIONS				
P. LTR.	DESCRIPTION	DATE	OWN	APVD
-	SEE SHEET 1	-	-	-

PART NUMBER	ROWS	POWER				SIGNAL						POWER	
		P1	P2	P3	P4	1	2	3	4	5	6	P5	P6
6600132-6	D C B A	PS	PS	PS	PS	J	J	J	J	J	J	PS	PS
						K	K	K	K	K	K		
						N	N	N	N	N	N		
4P + 24S + 2P						S	S	S	S	S	S		

PART NUMBER	ROWS	POWER							SIGNAL		POWER						
		P1	P2	P3	P4	P5	P6	P7	1	2	P8	P9	P10	P11	P12	P13	P14
6600132-7	D C B A	PS	PS	PS	PS	PS	PS	J	J	PS	PS	PS	PS	PS	PS	PS	
								K	K								
								N	N								
7P + 8S + 7P								H	S								



THIS DRAWING IS A CONTROLLED DOCUMENT.

DIMENSIONS: INCHES	TOLERANCES UNLESS OTHERWISE SPECIFIED: 0 PLC ±. 1 PLC ±.01 2 PLC ±.01 3 PLC ±.005 4 PLC ±.0020 ANGLES ±.7°	FINISH	APVD: M. PERCHERKE	NAME: M. PERCHERKE	DATE: 13JUN05	CHK: R. GRZYBOWSKI	DATE: 13JUN05	APVD: M. PERCHERKE	DATE: 13JUN05
MATERIAL			PRODUCT SPEC: 108-1973	APPLICATION SPEC: 114-13038	WEIGHT			SIZE: A1	CAGE CODE: 6600132
CUSTOMER DRAWING			SCALE: 4:1		SHEET 5 OF 7		REV: E7		

**STE** TE Connectivity

RIGHT ANGLE HEADER W/GUIDES ASSEMBLY  
 MULTI-BEAM XL  
 (DUAL-BEAM POWER)



