



Chipsmall Limited consists of a professional team with an average of over 10 year of expertise in the distribution of electronic components. Based in Hongkong, we have already established firm and mutual-benefit business relationships with customers from,Europe,America and south Asia,supplying obsolete and hard-to-find components to meet their specific needs.

With the principle of “Quality Parts,Customers Priority,Honest Operation,and Considerate Service”,our business mainly focus on the distribution of electronic components. Line cards we deal with include Microchip,ALPS,ROHM,Xilinx,Pulse,ON,Everlight and Freescale. Main products comprise IC,Modules,Potentiometer,IC Socket,Relay,Connector.Our parts cover such applications as commercial,industrial, and automotives areas.

We are looking forward to setting up business relationship with you and hope to provide you with the best service and solution. Let us make a better world for our industry!



Contact us

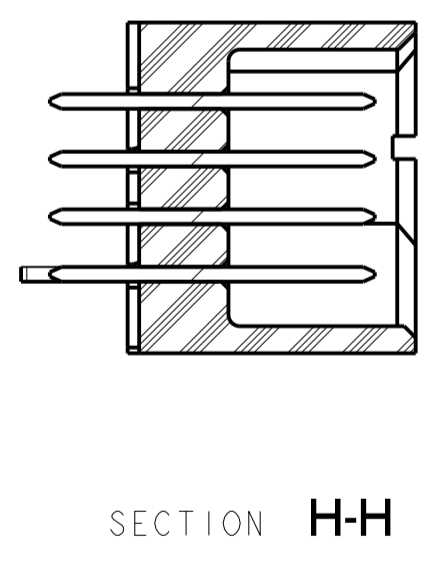
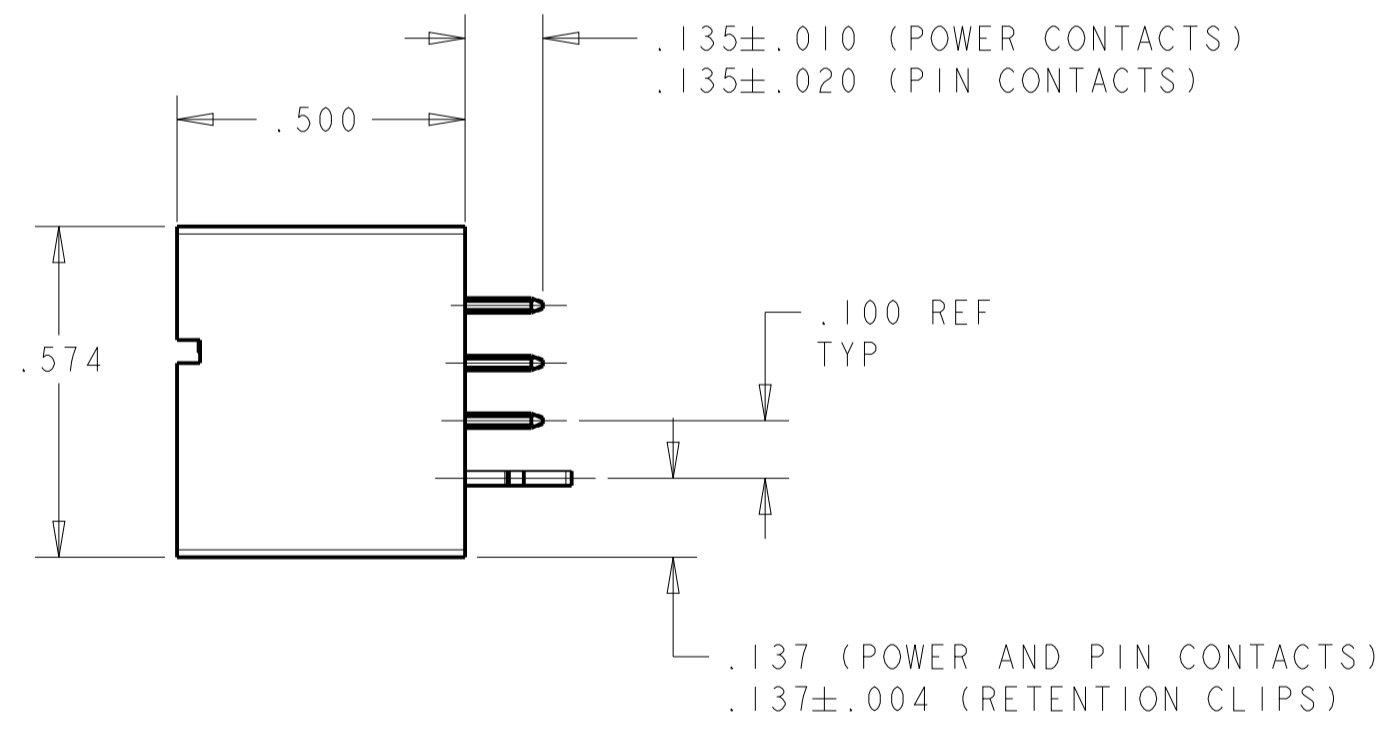
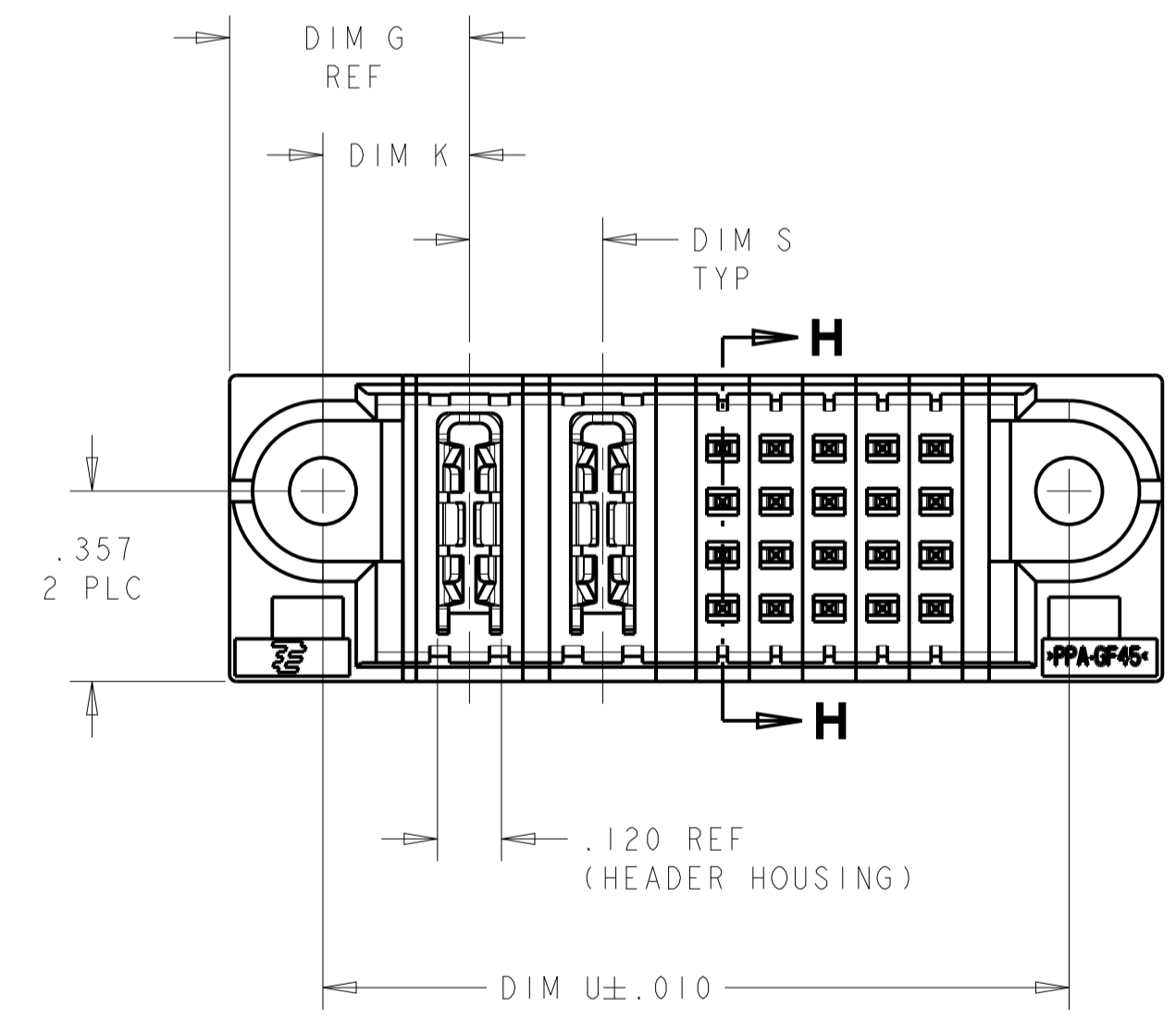
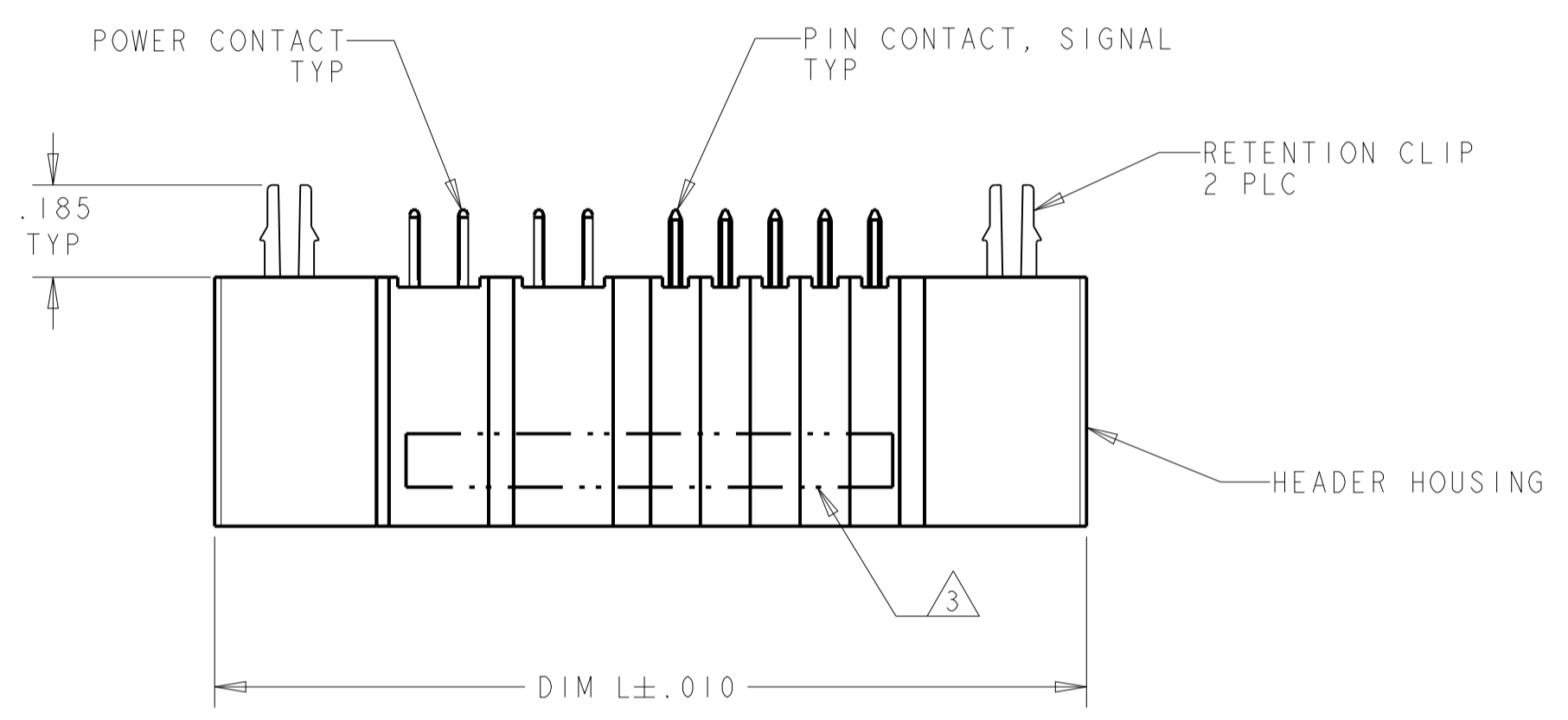
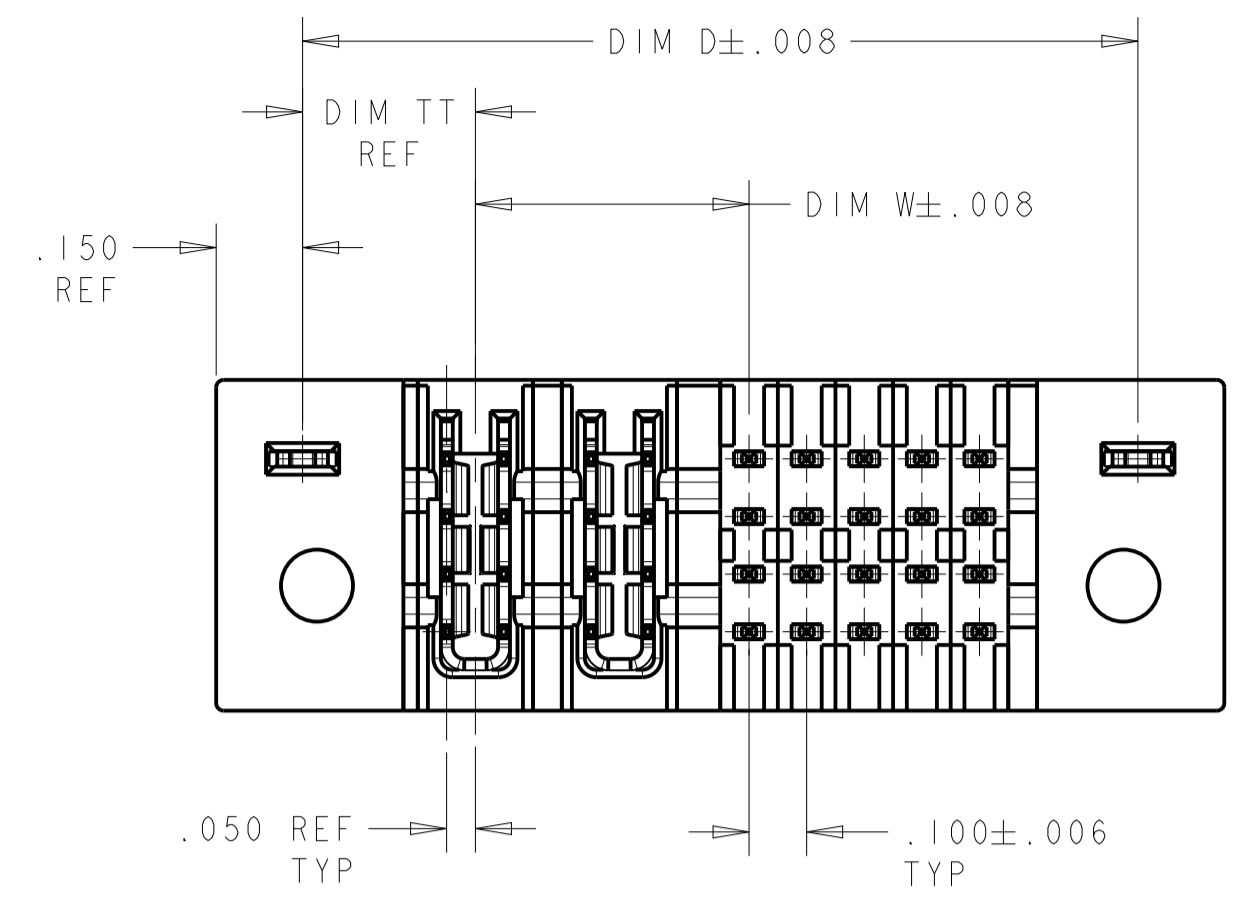
Tel: +86-755-8981 8866 Fax: +86-755-8427 6832

Email & Skype: info@chipsmall.com Web: www.chipsmall.com

Address: A1208, Overseas Decoration Building, #122 Zhenhua RD., Futian, Shenzhen, China



LOC		DIST		REVISIONS			
P	LTN	DESCRIPTION	DATE	DWN	APVD		
H1		ADD NEW PART -11	14SEP2011	AY	SZ		
H2		REV PER ECR-14-002489	25FEB2014	OL	SZ		



- ① HEADER HOUSING: THERMO PLASTIC, BLACK, UL94 V-0; CONTACTS AND RETENTION CLIPS: COPPER ALLOY.
- ② CONTACT PLATING: NOBLE METAL PLATING ON CONTACT FUNCTIONAL AREA OF POWER AND SIGNAL CONTACTS
RETENTION CLIP: .000115 MIN TIN.
- ③ "AMP", PART NUMBER AND DATE CODE MARKED IN THIS AREA. PARTS UNDER 2.50 LONG MAY BE MARKED ON BOTH SIDES.
- ④ DATUM AND BASIC DIMENSIONS ESTABLISHED BY CUSTOMER.
- ⑤ PCB - ALL HOLE DIAMETERS ARE FINISHED HOLE SIZES.
- ⑥ MECHANICAL CONNECTOR KEEP OUT ZONE.
- ⑦ VARIABLE DIMENSION SHOWED ON TABLE SHEET.

(H)	(H)	(F)	DIM "TT"	DIM "W"	DIM "U"	DIM "S"	DIM "L"	DIM "K"	DIM "G"	DIM "D"	RETENTION CLIP	DESCRIPTION	PART NUMBER
			.300	2.425	2.900	.250	3.250	.275	.450	2.950	YES	10P + 4S	1-6600310-1
			.300	.425	1.000	.250	1.350	.275	.450	1.050	YES	2P + 8S	1-6600310-0
			.300	.425	1.100	.250	1.450	.275	.450	1.150	YES	2P + 12S	6600310-9
			.375	2.150	3.225	⑦	3.575	.350	.525	3.275	YES	3ACP + 6P + 24S	6600310-8
			.300	.425	1.200	.250	1.550	.275	.450	1.250	YES	2P + 16S	6600310-7
			.325	1.825	2.825	①	3.175	.300	.475	2.875	YES	3ACP + 4P + 24S	6600310-5
			.325	1.900	2.550	①	2.900	.300	.475	2.600	YES	3ACP + 4P + 8S	6600310-4
			.300	.925	2.100	.250	2.450	.275	.450	2.150	YES	4P + 32S	6600310-3
			.325	1.500	2.250	.250	2.600	.300	.475	2.300	YES	6P + 12S	6600310-2
			.300	.175	1.450	-	1.800	.275	.450	1.500	YES	1P + 36S	6600310-1

THIS DRAWING IS A CONTROLLED DOCUMENT.

DIMENSIONS: INCH

TOLERANCES UNLESS OTHERWISE SPECIFIED:

0 PLC	±
2 PLC	±
3 PLC	±
4 PLC	±0.005
ANGLES	±

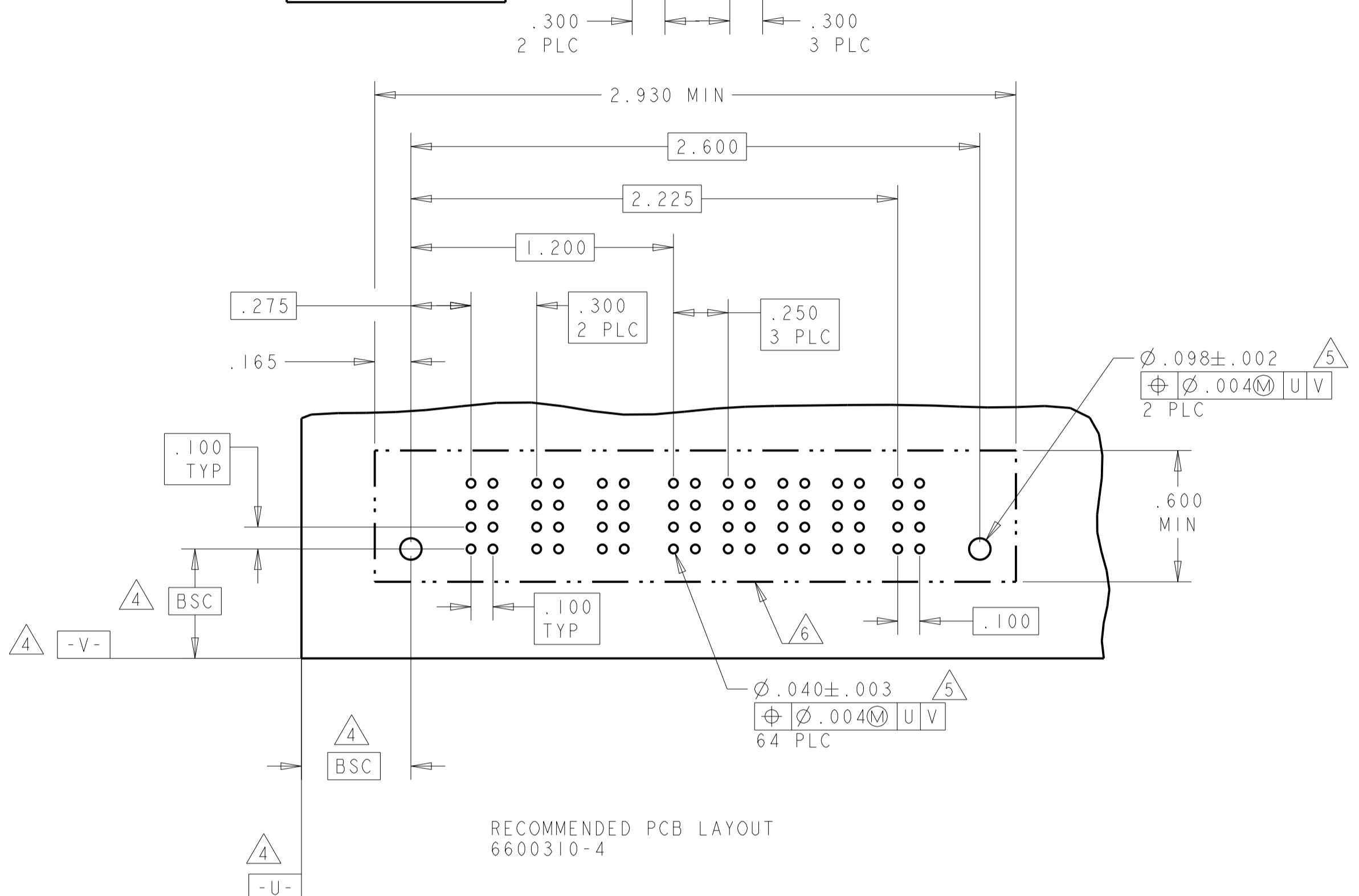
MATERIAL: FINISH:

THIS DRAWING IS A CONTROLLED DOCUMENT. DWN: D. RINGLER 18MAR2006, CHK: M. PERCHERKE 18MAR2006, APVD: M. PERCHERKE 18MAR2006. NAME: VERTICAL HEADER ASSEMBLY W/GUIDES, SOLDER TAIL, TYPE PS, MULTI-BEAM XL. PRODUCT SPEC: 108-1973, APPLICATION SPEC: 114-13038, SIZE: A100779, CAGE CODE: 6600310, WEIGHT: -, RESTRICTED TO: CUSTOMER DRAWING. SCALE: 3:1, SHEET: 1 OF 5, REV: H2.

LOC	DIST	REV	DATE	BY	APPV
ES	00				

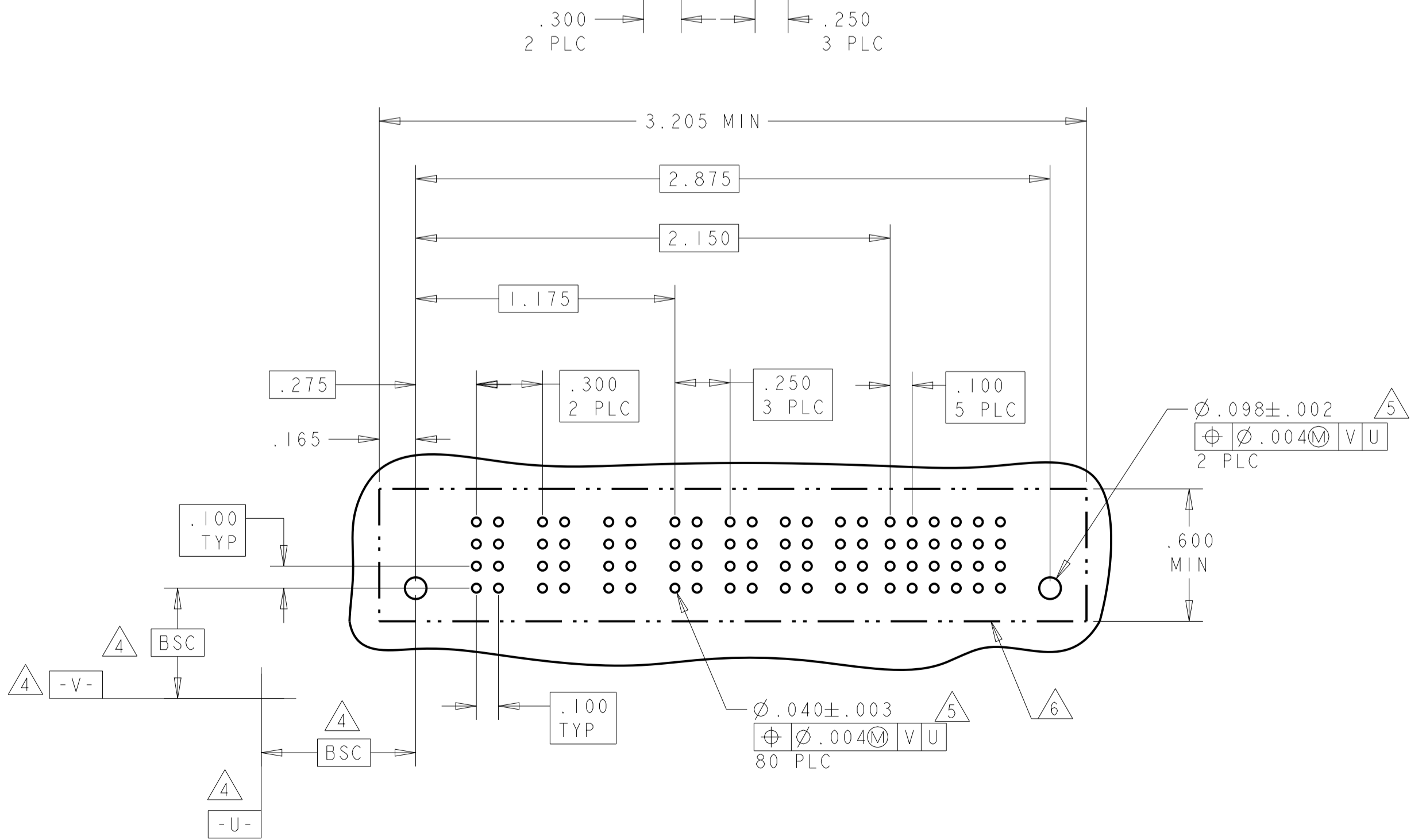
REVISIONS		DATE	BY	APPV
1	SEE SHEET 1			

PART NUMBER	ROWS	POWER							SIGNAL	
		P1	P2	P3	P4	P5	P6	P7	2	1
6600310-4	D C B A	SZ	SZ	SZ	SZ	SZ	SZ	SZ	SV	SV
3ACP + 4P + 8S		HD							SV	SV
									SV	SV
									SV	SV



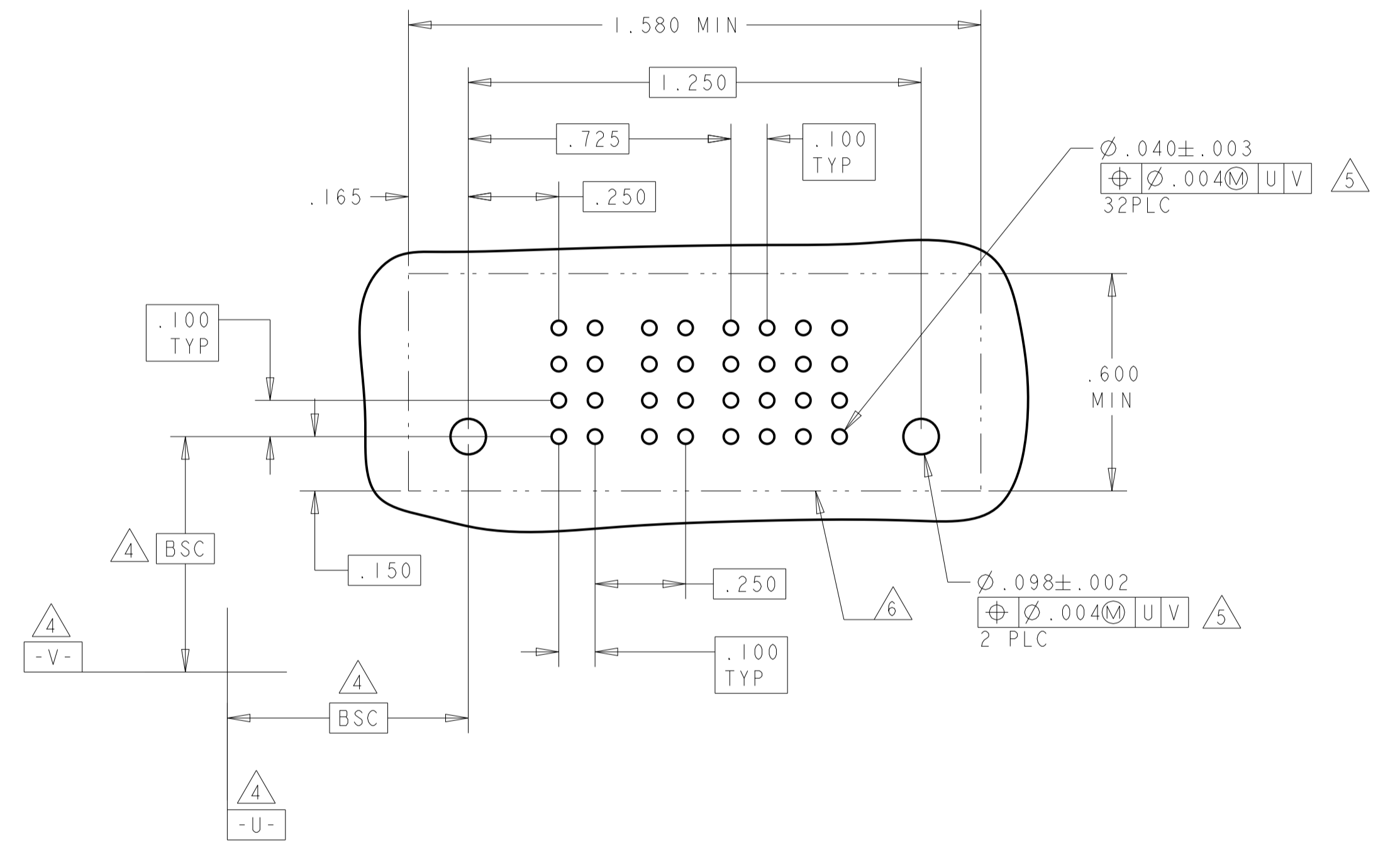
RECOMMENDED PCB LAYOUT
6600310-4

PART NUMBER	ROWS	POWER							SIGNAL					
		P1	P2	P3	P4	P5	P6	P7	1	2	3	4	5	6
6600310-5	D C B A	SZ	SZ	SZ	SZ	SZ	SZ	SZ	SV	SS	SV	SV	SV	SS
3ACP + 4P + 24S		HD							SV	SS	SV	SV	SV	SS
									SV	SS	SV	SV	SV	SS
									SV	SS	SV	SV	SV	SS



RECOMMENDED PCB LAYOUT
6600310-5

PART NUMBER	ROWS	POWER		SIGNAL			
		P1	P2	1	2	3	4
6600310-7	D C B A	SZ	SZ	SV	SV	SV	SV
2P + 16S		HD		SV	SV	SV	SV
				SV	SV	SV	SV



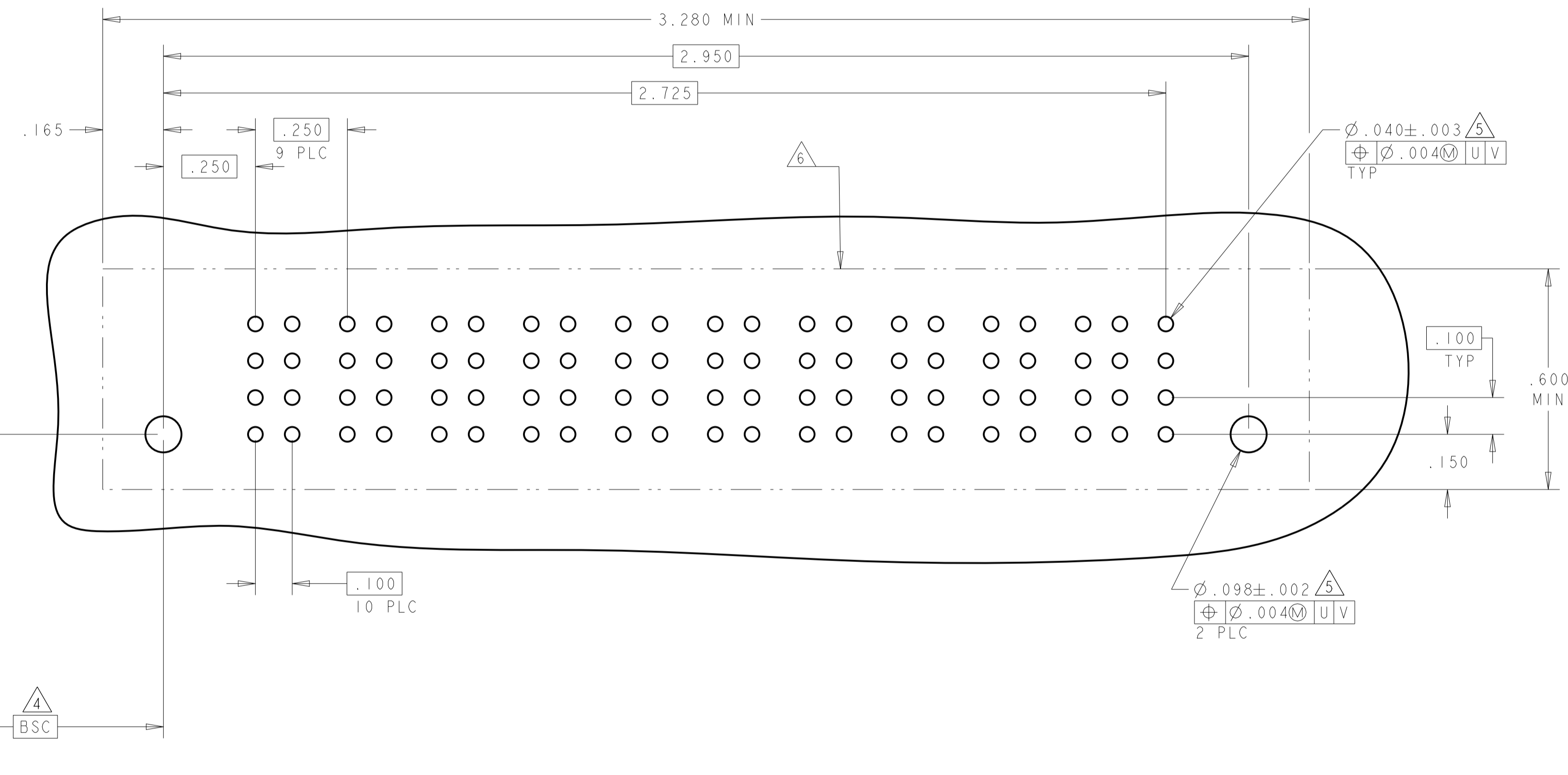
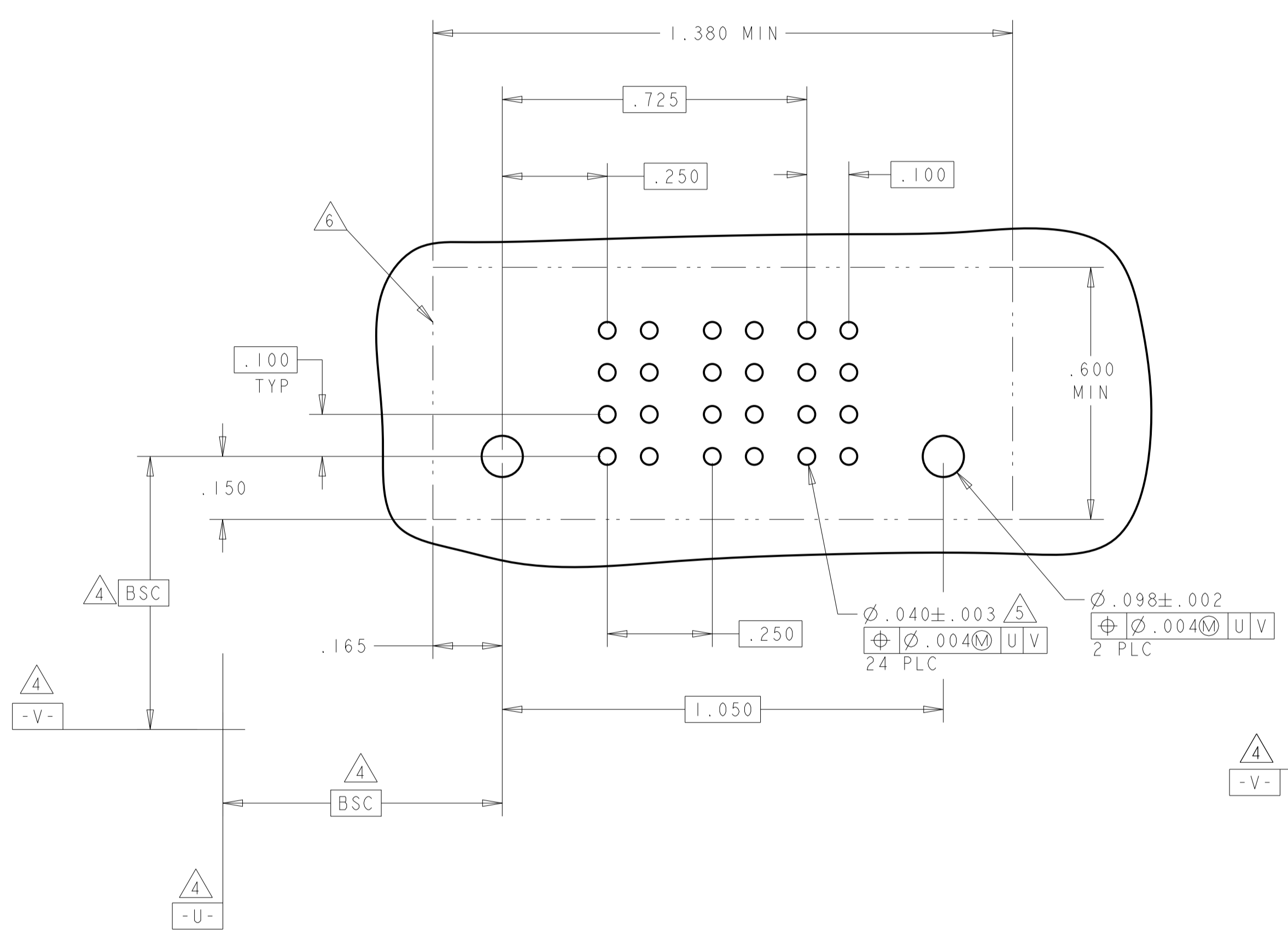
RECOMMENDED PCB LAYOUT
6600310-7

THIS DRAWING IS A CONTROLLED DOCUMENT.		OWN: D. RINGLER 18MAR2006	TE Connectivity
DIMENSIONS: INCH		CHK: M. PERCHERKE 18MAR2006	
TOLERANCES UNLESS OTHERWISE SPECIFIED:		APVD: M. PERCHERKE 18MAR2006	NAME: VERTICAL HEADER ASSEMBLY W/GUIDES, SOLDER TAIL, TYPE PS, MULTI-BEAM XL
0 PLC ±		PRODUCT SPEC	SIZE: CAGE CODE DRAWING NO: A100779C=6600310
1 PLC ±		APPLICATION SPEC	RESTRICTED TO
2 PLC ±		114-13038	SCALE: 3:1 SHEET 3 OF 5 REV: H2
3 PLC ±0.005		WEIGHT	
4 PLC ±		CUSTOMER DRAWING	
ANGLES ±			
FINISH			

LOC	DIST	REVISIONS			
P	LTN	DESCRIPTION	DATE	OWN	APVD
-	-	SEE SHEET 1	-	-	-

PART NUMBER	ROWS	POWER		SIGNAL	
		P1	P2	I	2
I-6600310-0	D	SZ	SZ	SV	SV
	C			SV	SV
	B			SV	SV
	A			SV	SV
2P+8S		HD		HD	

PART NUMBER	ROWS	POWER										SIGNAL		
		P1	P2	P3	P4	P5	P6	P7	P8	P9	P10	I	2	
I-6600310-1	D	SZ	SZ	SZ	SZ	SZ	SZ	SZ	SZ	SZ	SZ	SZ	SV	HD
	C												SV	
	B												SV	
	A												SV	
10P+4S		HD										HD		



THIS DRAWING IS A CONTROLLED DOCUMENT.

DIMENSIONS: INCH	TOLERANCES UNLESS OTHERWISE SPECIFIED: 0 PLC ± 2 PLC ± 3 PLC ±0.005 4 PLC ± ANGLES ±	FINISH	OWN: D. RINGLER 18MAR2006 CHK: M. PERCHERKE 18MAR2006 APVD: M. PERCHERKE 18MAR2006	NAME: VERTICAL HEADER ASSEMBLY W/GUIDES, SOLDER TAIL, TYPE PS, MULTI-BEAM XL
MATERIAL	FINISH	WEIGHT	PRODUCT SPEC: 108-1973 APPLICATION SPEC: 114-13038	SIZE: A100779 CAGE CODE: C=6600310
CUSTOMER DRAWING			SCALE: 3:1	SHEET 5 OF 5 REV: H2

4805 (3/11)