



Chipsmall Limited consists of a professional team with an average of over 10 year of expertise in the distribution of electronic components. Based in Hongkong, we have already established firm and mutual-benefit business relationships with customers from,Europe,America and south Asia,supplying obsolete and hard-to-find components to meet their specific needs.

With the principle of “Quality Parts,Customers Priority,Honest Operation,and Considerate Service”,our business mainly focus on the distribution of electronic components. Line cards we deal with include Microchip,ALPS,ROHM,Xilinx,Pulse,ON,Everlight and Freescale. Main products comprise IC,Modules,Potentiometer,IC Socket,Relay,Connector.Our parts cover such applications as commercial,industrial, and automotives areas.

We are looking forward to setting up business relationship with you and hope to provide you with the best service and solution. Let us make a better world for our industry!



Contact us

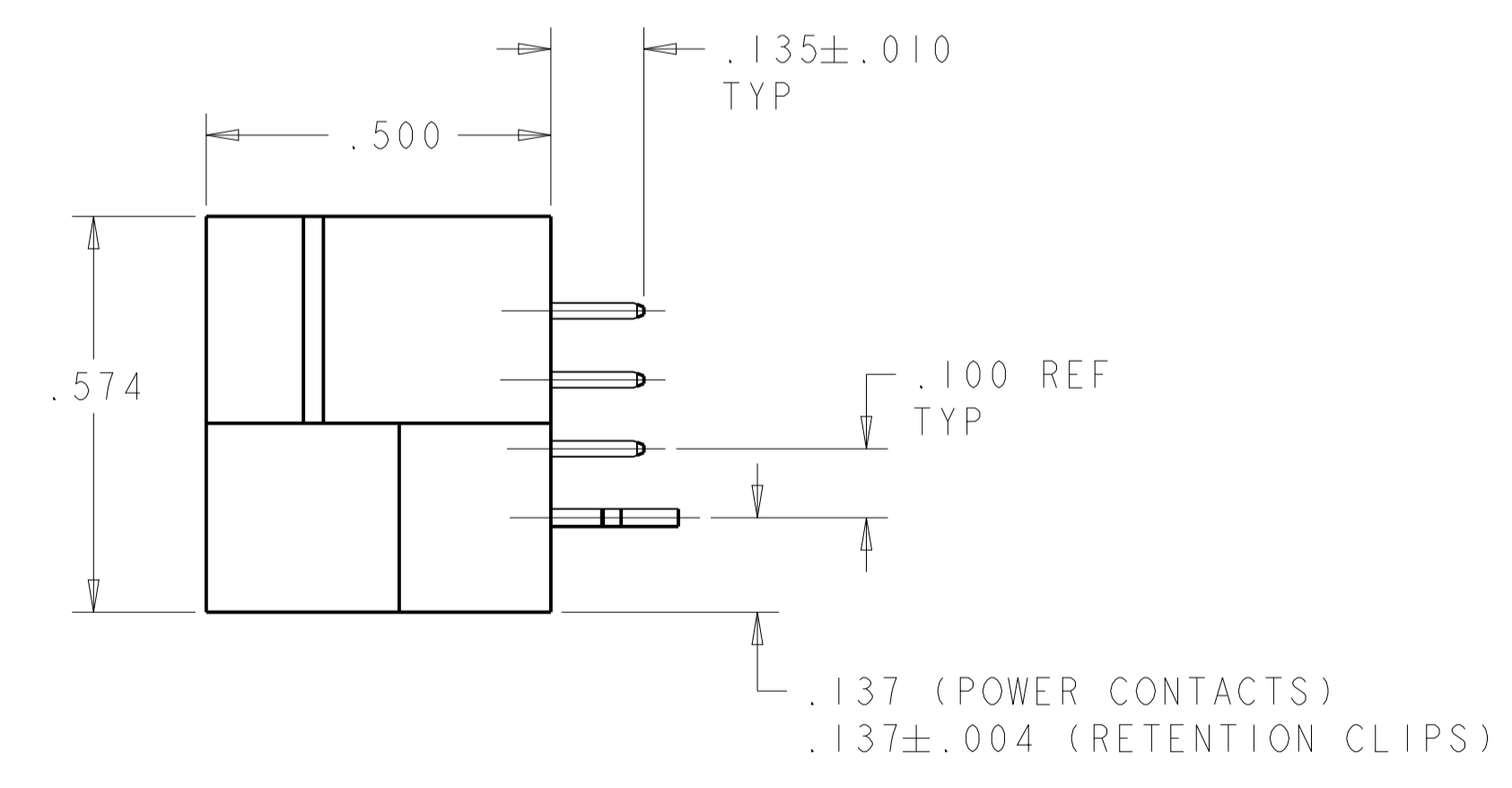
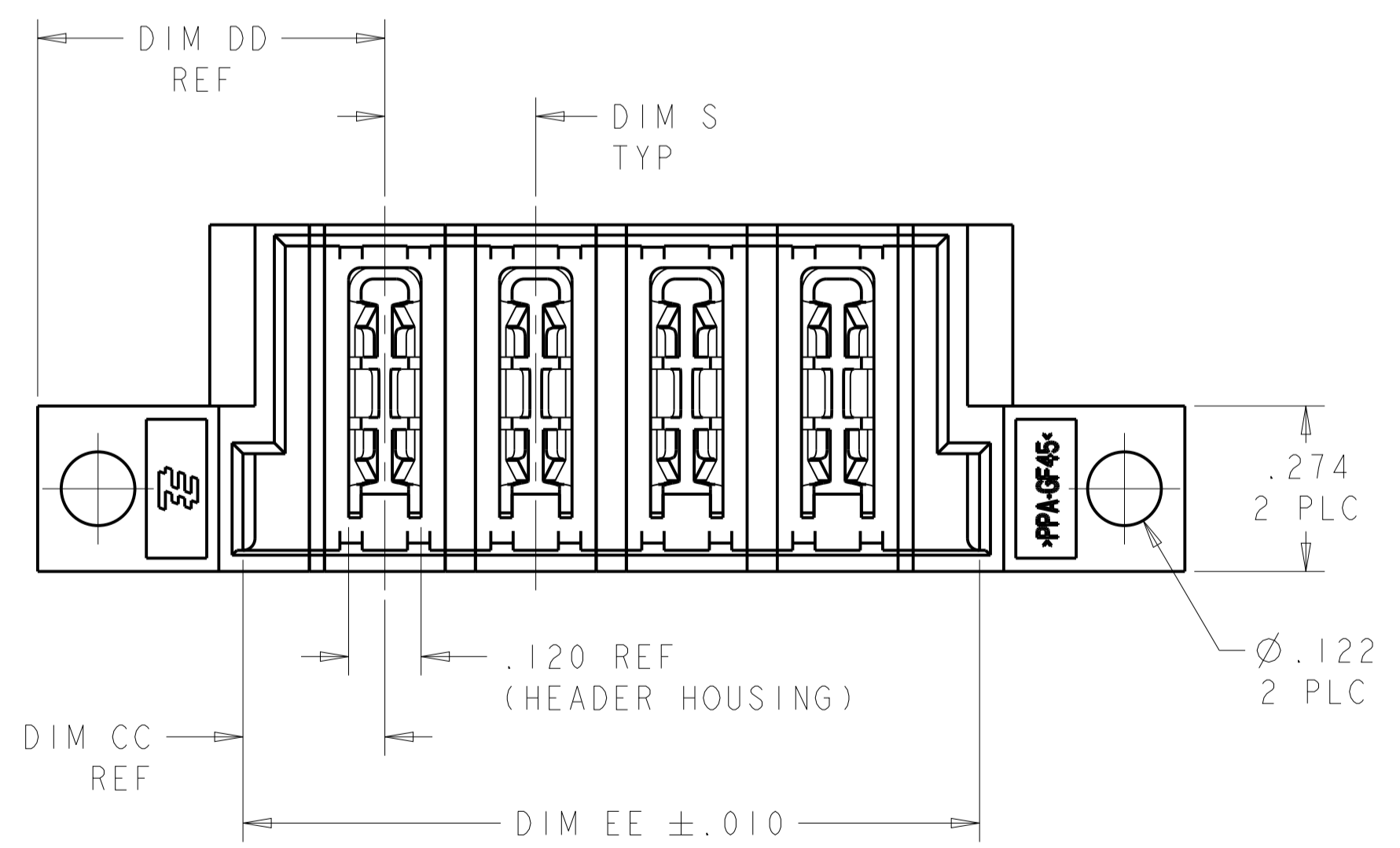
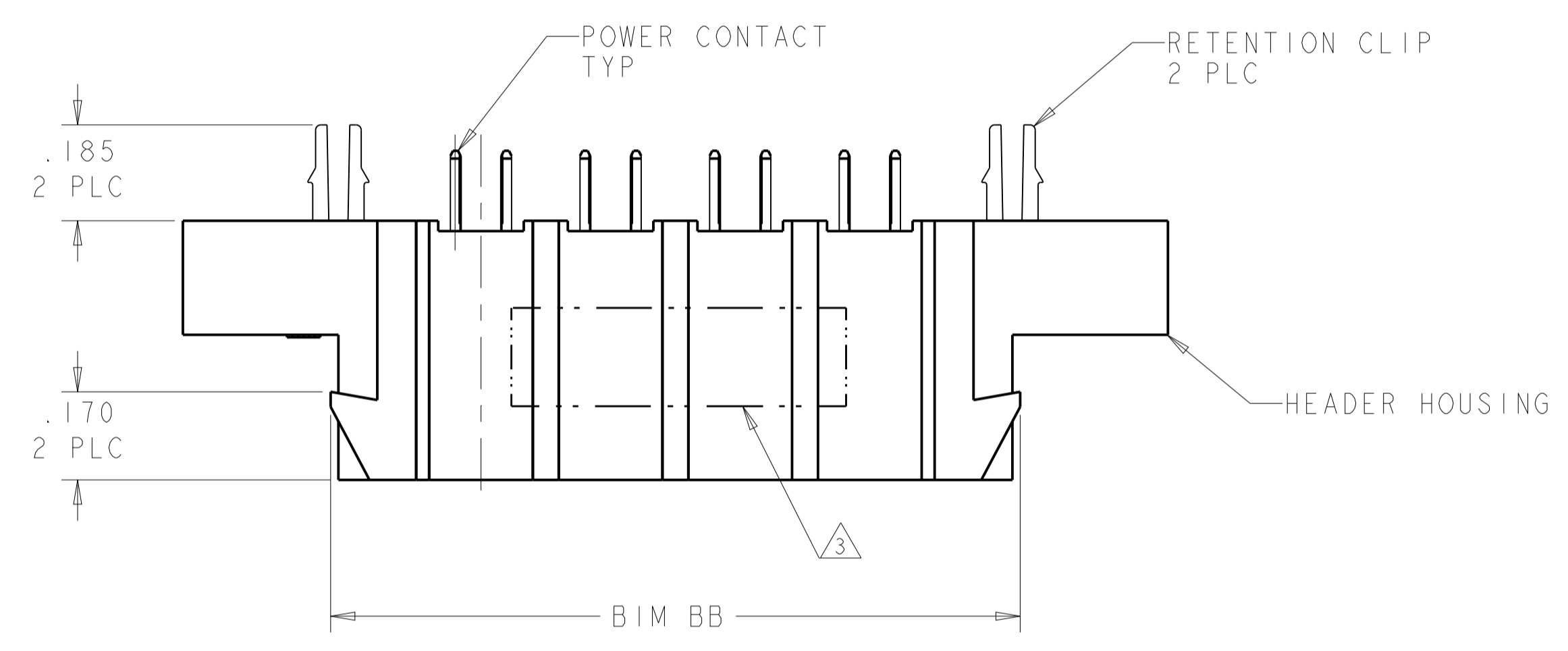
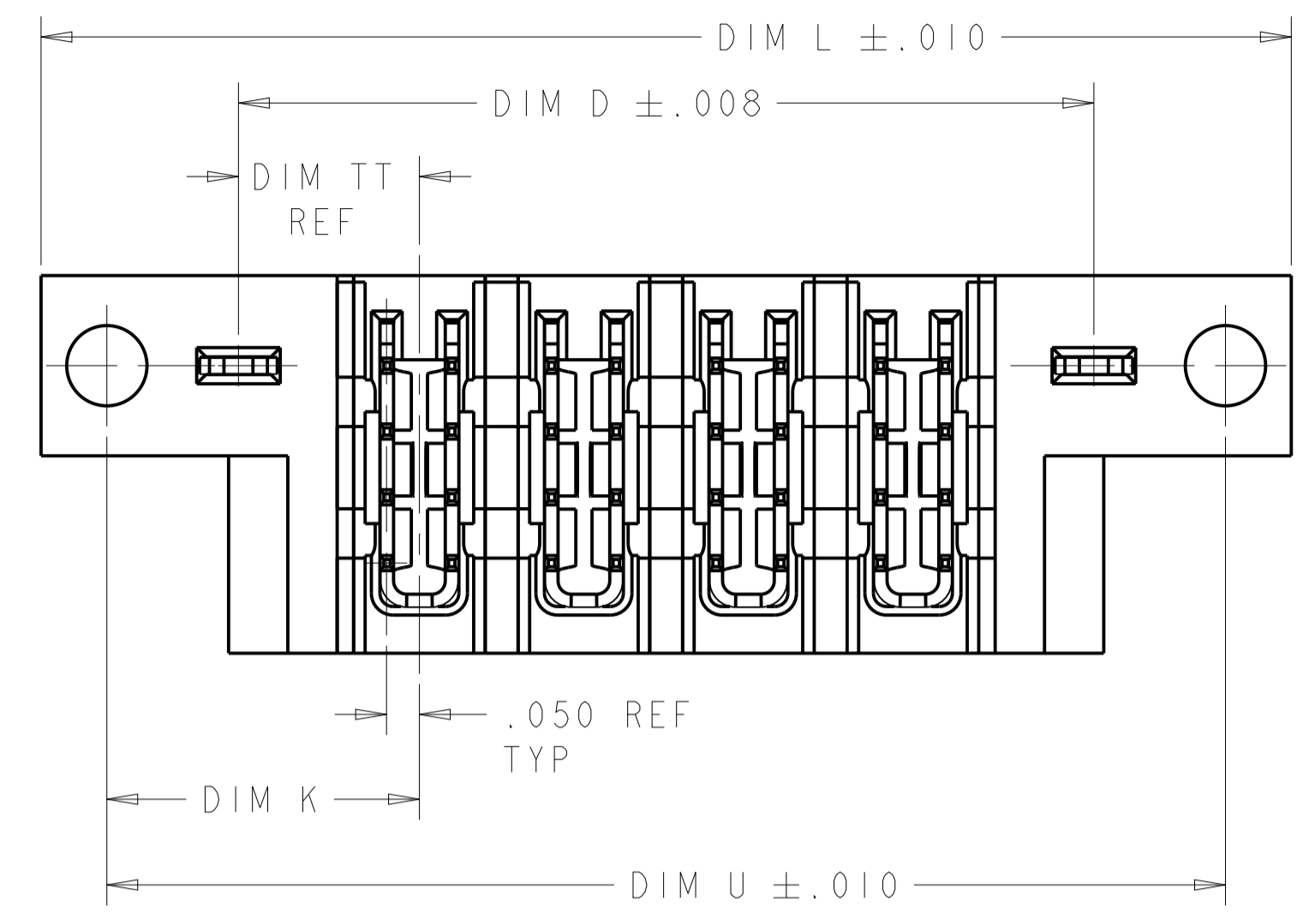
Tel: +86-755-8981 8866 Fax: +86-755-8427 6832

Email & Skype: info@chipsmall.com Web: www.chipsmall.com

Address: A1208, Overseas Decoration Building, #122 Zhenhua RD., Futian, Shenzhen, China



LOC	DIST	REVISIONS					
GP	00	P	LTN	DESCRIPTION	DATE	DWN	APVD
		A		RELEASED	14MAY2006	DRR	MP
		A1		ADD NEW DASH NUMBER	30JUL2008	CZ	SY
		B		REV PER ECR-08-025053	06OCT2008	CZ	SY
		B1		REV PER ECR-14-002489	25FEB2014	OL	SZ



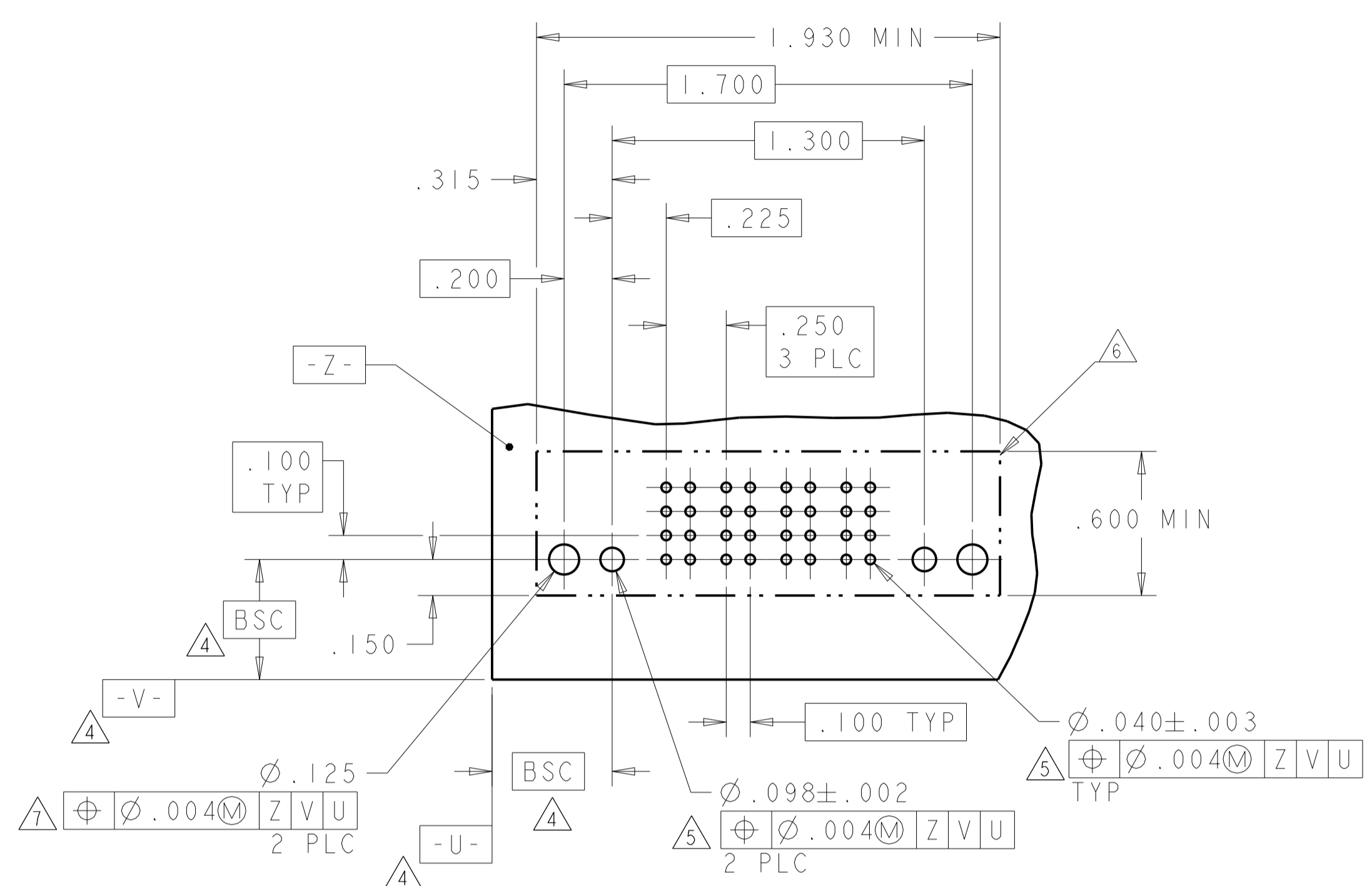
- 1 HEADER HOUSING: THERMO PLASTIC, BLACK, UL94 V-0; CONTACTS AND RETENTION CLIPS: COPPER ALLOY.
- 2 CONTACT PLATING: NOBLE METAL PLATING ON CONTACT FUNCTIONAL AREA OF POWER AND SIGNAL CONTACTS
RETENTION CLIP: .000115 MIN TIN.
- 3 "AMP", PART NUMBER AND DATE CODE MARKED IN THIS AREA. PARTS UNDER 2.50 LONG MAY BE MARKED ON BOTH SIDES.
- 4 DATUM AND BASIC DIMENSIONS ESTABLISHED BY CUSTOMER.
- 5 PCB - ALL HOLE DIAMETERS ARE FINISHED HOLE SIZES.
- 6 MECHANICAL CONNECTOR KEEP OUT ZONE.
- 7 CUSTOMER SUPPLIES (2) #4-40UNC SCREWS, HARDWARE TO BE USED TO MOUNT HEADER ASSEMBLY TO PC BOARD.
- 8 NOT RELEASED FOR PRODUCTION

1.470	.625	.285	1.580	.325	1.950	.300	2.150	.525	1.550	YES	4ACP	6600390-2
1.220	.575	.235	1.330	.275	1.700	.250	1.900	.475	1.300	YES	4P	6600390-1
DIM "EE"	DIM "DD"	DIM "CC"	DIM "BB"	DIM "TT"	DIM "U"	DIM "S"	DIM "L"	DIM "K"	DIM "D"	RETENTION CLIP	DESCRIPTION	PART NUMBER

DIMENSIONS: INCHES 		TOLERANCES UNLESS OTHERWISE SPECIFIED: 0 PLC ±. 1 PLC ±. 2 PLC ±. 3 PLC ±.005 4 PLC ±. ANGLES ±.		DWN D. RINGLER 25MAR06 CHK M. PERCHERKE 25MAR06 APVD M. PERCHERKE 25MAR06	Tyco Electronics Harrisburg, PA 17105-3608
MATERIAL 		FINISH 		PRODUCT SPEC 108-1973 APPLICATION SPEC 114-13038	NAME VERTICAL HEADER ASSEMBLY, W/LATCH RECEIVERS, SOLDER TAIL, TYPE P, MULTI-BEAM XL SIZE A100779C=6600390 RESTRICTED TO
CUSTOMER DRAWING				WEIGHT -	SCALE 3:1 SHEET 1 OF 2 REV B1

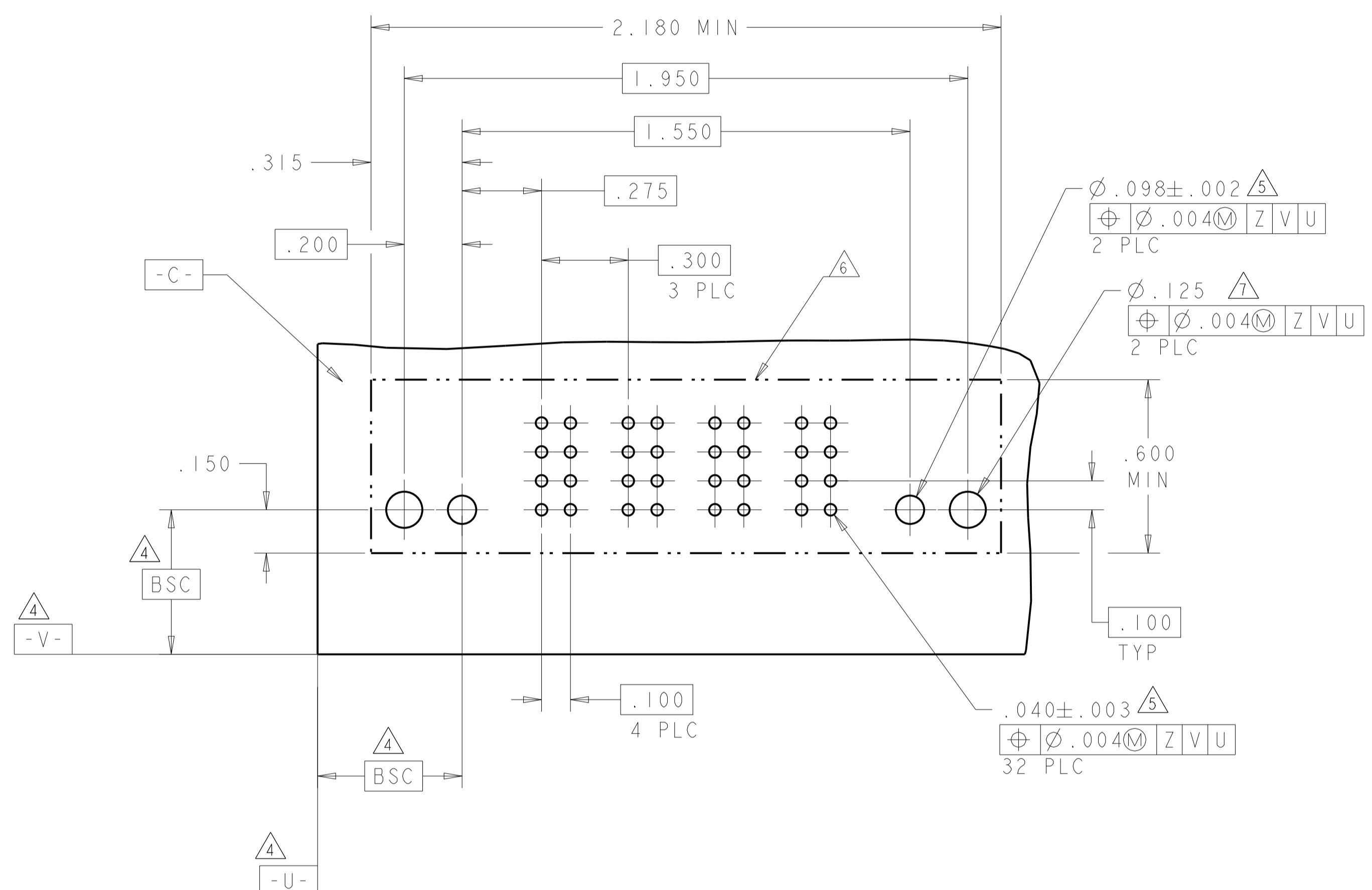
LOC	DIST	REVISIONS			
P	LTN	DESCRIPTION	DATE	OWN	APVD
GP	00	SEE SHEET 1			

PART NUMBER	ROWS	POWER			
		P1	P2	P3	P4
6600390-1	D	SZ	SZ	SZ	SZ
	C				
	B				
	A				
4P	HD				HD



RECOMMENDED PCB LAYOUT 6600390-1
SCALE 2:1

PART NUMBER	ROWS	POWER			
		P1	P2	P3	P4
6600390-2	D	SZ	SZ	SZ	SZ
	C				
	B				
	A				
4ACP	HD				HD



RECOMMENDED PCB LAYOUT 6600390-2
SCALE 2:1

MATING SEQUENCE	DESCRIPTION	IDENTIFIER
-	RETENTION CLIP	HD
-	POWER CONTACT	SZ

DIMENSIONS: INCHES 		TOLERANCES UNLESS OTHERWISE SPECIFIED: 0 PLC ±. 1 PLC ±. 2 PLC ±. 3 PLC ±.005 4 PLC ±. ANGLES ±. FINISH		DWN D. RINGLER 25MAR06 CHK M. PERCHERKE 25MAR06 APVD M. PERCHERKE 25MAR06 PRODUCT SPEC 108-1973 APPLICATION SPEC 114-13038 WEIGHT CUSTOMER DRAWING		Tyco Electronics Harrisburg, PA 17105-3608 NAME VERICAL HEADER ASSEMBLY, W/LATCH RECEIVERS, SOLDER TAIL, TYPE P, MULTI-BEAM XL SIZE CAGE CODE DRAWING NO A1100779C=6600390 RESTRICTED TO	
SCALE 3:1		SHEET 2 OF 2		REV B1			