



Chipsmall Limited consists of a professional team with an average of over 10 year of expertise in the distribution of electronic components. Based in Hongkong, we have already established firm and mutual-benefit business relationships with customers from,Europe,America and south Asia,supplying obsolete and hard-to-find components to meet their specific needs.

With the principle of "Quality Parts,Customers Priority,Honest Operation,and Considerate Service",our business mainly focus on the distribution of electronic components. Line cards we deal with include Microchip,ALPS,ROHM,Xilinx,Pulse,ON,Everlight and Freescale. Main products comprise IC,Modules,Potentiometer,IC Socket,Relay,Connector.Our parts cover such applications as commercial,industrial, and automotives areas.

We are looking forward to setting up business relationship with you and hope to provide you with the best service and solution. Let us make a better world for our industry!



Contact us

Tel: +86-755-8981 8866 Fax: +86-755-8427 6832

Email & Skype: info@chipsmall.com Web: www.chipsmall.com

Address: A1208, Overseas Decoration Building, #122 Zhenhua RD., Futian, Shenzhen, China



THIS DRAWING IS UNPUBLISHED.

RELEASED FOR PUBLICATION

LOC

DIST

REVISIONS

© COPYRIGHT - By -

ALL RIGHTS RESERVED.

G

86

P

LTR

DESCRIPTION

DATE

DWN

APVD

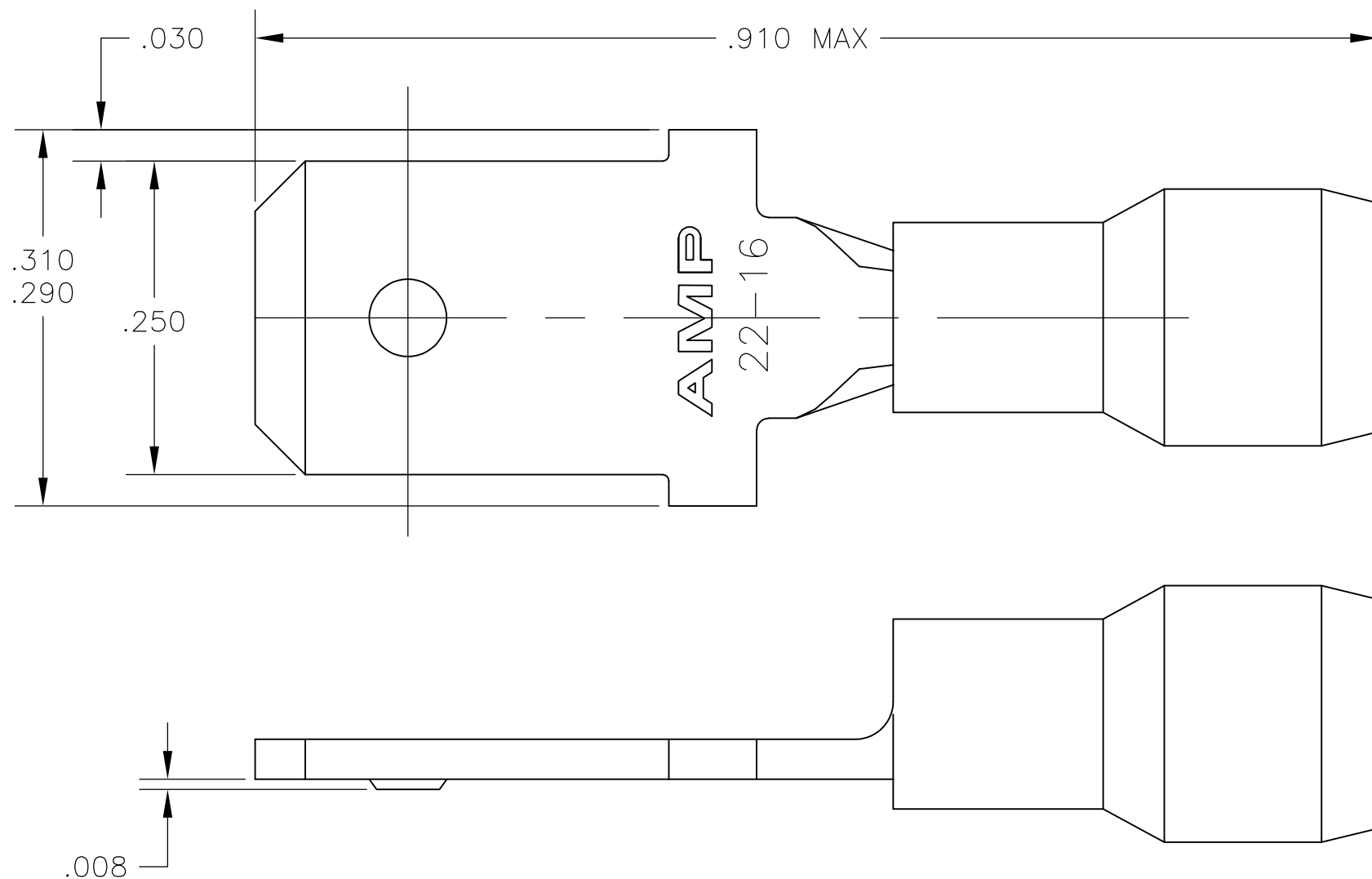
K1

REVISED PER ECO-11-004917

11MAR11


RK

HMR



- 1 STAMPED "AMP 22-16".
- 2 WIRE INSULATION DIA .105-.140 .
- 3 MATERIAL THK IS .031±.002
- △ 4 SELECTIVE GOLD PLATE IN WIRE BARREL AND CONTACT AREA

5000	RED, PVC	COPPER, TIN	TAPE MOUNTED	66023-4
500	RED, PVC	COPPER, GOLD △ 4	LOOSE PIECES	66023-3
500	RED, PVC	COPPER, TIN	LOOSE PIECES	66023-2
QTY	SLEEVE	MATERIAL & FINISH	PACKAGING TYPE	PART NO.

THIS DRAWING IS A CONTROLLED DOCUMENT.		DWN JR RUTH 10SEP2002	 TE Connectivity														
DIMENSIONS: INCHES		CHK T MICHELUTTI 10SEP02				NAME PIDG TAB ASSEMBLY											
TOLERANCES UNLESS OTHERWISE SPECIFIED:		APVD T MICHELUTTI 10SEP02	PRODUCT SPEC -		RESTRICTED TO -												
<table border="0"> <tr><td>0 PLC</td><td>± -</td></tr> <tr><td>1 PLC</td><td>± .1</td></tr> <tr><td>2 PLC</td><td>± .02</td></tr> <tr><td>3 PLC</td><td>± .005</td></tr> <tr><td>4 PLC</td><td>± -</td></tr> <tr><td>ANGLES</td><td>± 1°</td></tr> </table>		0 PLC	± -	1 PLC	± .1	2 PLC	± .02	3 PLC	± .005	4 PLC	± -	ANGLES	± 1°	APPLICATION SPEC -		SIZE A3	CAGE CODE 00779
0 PLC	± -																
1 PLC	± .1																
2 PLC	± .02																
3 PLC	± .005																
4 PLC	± -																
ANGLES	± 1°																
MATERIAL SEE TABLE	FINISH SEE TABLE	WEIGHT -		DRAWING NO C-66023													
CUSTOMER DRAWING			SCALE 8:1	SHEET 1 OF 1	REV K1												