



Chipsmall Limited consists of a professional team with an average of over 10 year of expertise in the distribution of electronic components. Based in Hongkong, we have already established firm and mutual-benefit business relationships with customers from,Europe,America and south Asia,supplying obsolete and hard-to-find components to meet their specific needs.

With the principle of “Quality Parts,Customers Priority,Honest Operation,and Considerate Service”,our business mainly focus on the distribution of electronic components. Line cards we deal with include Microchip,ALPS,ROHM,Xilinx,Pulse,ON,Everlight and Freescale. Main products comprise IC,Modules,Potentiometer,IC Socket,Relay,Connector.Our parts cover such applications as commercial,industrial, and automotives areas.

We are looking forward to setting up business relationship with you and hope to provide you with the best service and solution. Let us make a better world for our industry!



## Contact us

Tel: +86-755-8981 8866 Fax: +86-755-8427 6832

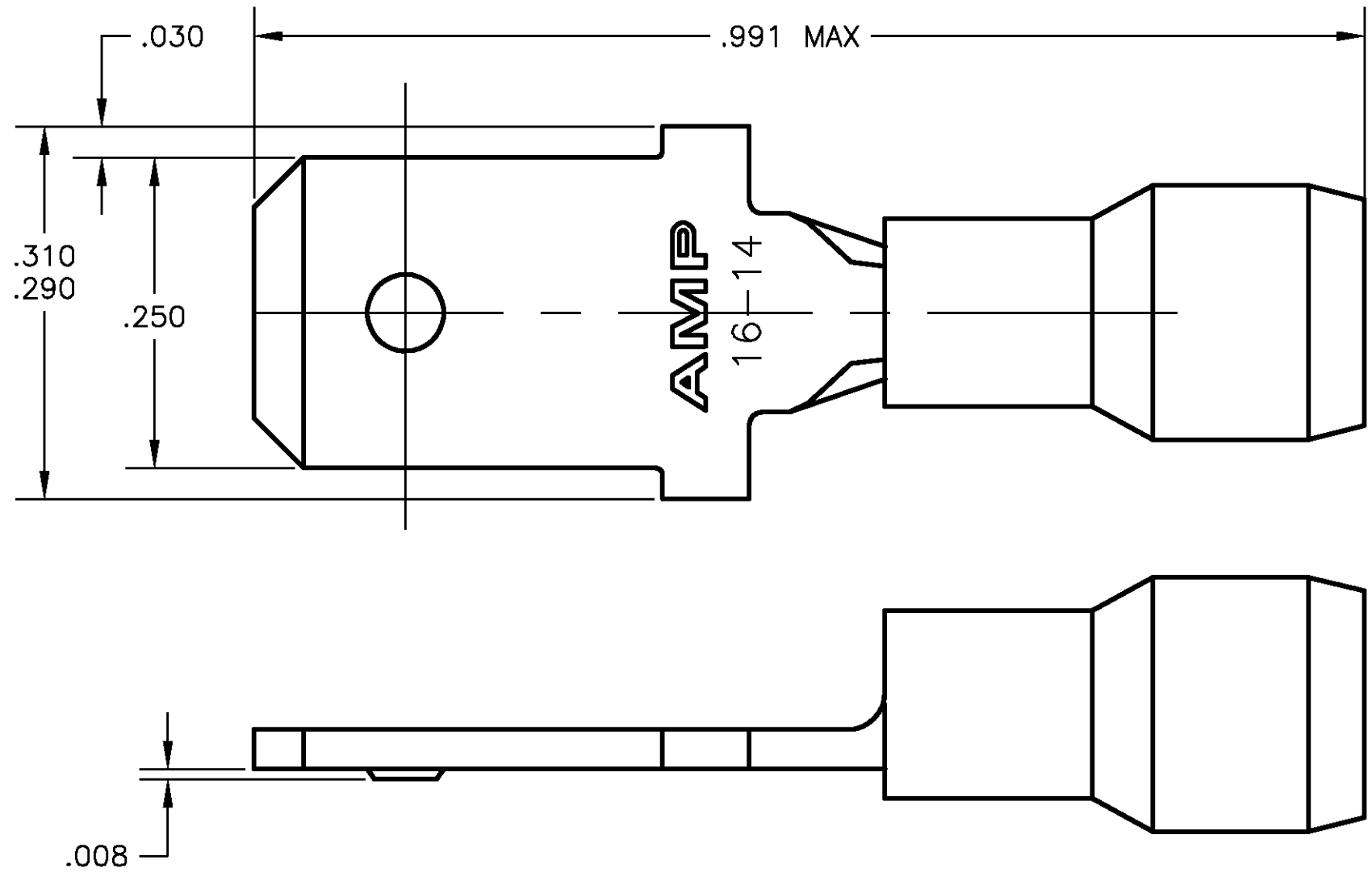
Email & Skype: info@chipsmall.com Web: www.chipsmall.com

Address: A1208, Overseas Decoration Building, #122 Zhenhua RD., Futian, Shenzhen, China



THIS DRAWING IS UNPUBLISHED. RELEASED FOR PUBLICATION  
 © COPYRIGHT BY TYCO ELECTRONICS CORPORATION. ALL RIGHTS RESERVED.

LOC	DIST	REVISIONS					
G	86	P	LTR	DESCRIPTION	DATE	DWN	APVD
		E		REDRAWN PER 0G3A-0427-02	10SEP02	JR	TM



- 1 STAMPED "AMP 16-14".
- 2 WIRE INSULATION DIA .115-.170.
- 3 MATERIAL THK IS .031±.002

100	BLUE, PVC	COPPER, TIN	LOOSE PIECES	66024-6
5000	BLUE, PVC	COPPER, TIN	TAPE MTD	66024-4
500	BLUE, PVC	COPPER, TIN	LOOSE PIECES	66024-2
100	BLUE, PVC	COPPER, NONE	LOOSE PIECES	66024-1
QTY	SLEEVE	MATERIAL & FINISH	PACKAGING TYPE	PART NO

THIS DRAWING IS A CONTROLLED DOCUMENT.		DWN JR RUTH 10SEP2002	Tyco Electronics Corporation Harrisburg, PA 17105	
DIMENSIONS: INCHES 		CHK T MICHIELUTTI 10SEP02	NAME PIDG TAB ASSEMBLY	
TOLERANCES UNLESS OTHERWISE SPECIFIED: 0 PLC ± - 1 PLC ± .1 2 PLC ± .02 3 PLC ± .005 4 PLC ± - ANGLES ± 1°		APVD T MICHIELUTTI 10SEP02	PRODUCT SPEC -	
MATERIAL SEE TABLE		FINISH SEE TABLE	APPLICATION SPEC -	RESTRICTED TO -
		WEIGHT -	SIZE A3	CAGE CODE 00779
		DRAWING NO C-66024		REV E
CUSTOMER DRAWING			SCALE 8:1	SHEET 1 OF 1