



Chipsmall Limited consists of a professional team with an average of over 10 year of expertise in the distribution of electronic components. Based in Hongkong, we have already established firm and mutual-benefit business relationships with customers from,Europe,America and south Asia,supplying obsolete and hard-to-find components to meet their specific needs.

With the principle of “Quality Parts,Customers Priority,Honest Operation,and Considerate Service”,our business mainly focus on the distribution of electronic components. Line cards we deal with include Microchip,ALPS,ROHM,Xilinx,Pulse,ON,Everlight and Freescale. Main products comprise IC,Modules,Potentiometer,IC Socket,Relay,Connector.Our parts cover such applications as commercial,industrial, and automotives areas.

We are looking forward to setting up business relationship with you and hope to provide you with the best service and solution. Let us make a better world for our industry!



Contact us

Tel: +86-755-8981 8866 Fax: +86-755-8427 6832

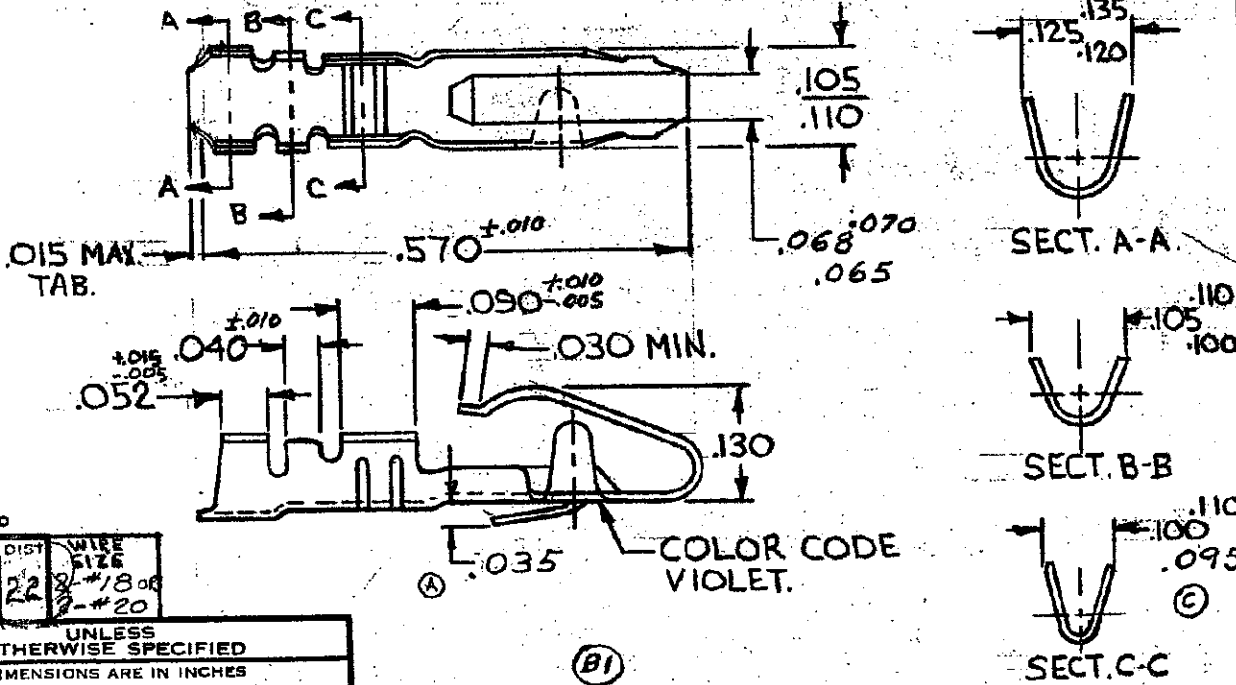
Email & Skype: info@chipsmall.com Web: www.chipsmall.com

Address: A1208, Overseas Decoration Building, #122 Zhenhua RD., Futian, Shenzhen, China



© 1969 BY AMP INCORPORATED. ALL RIGHTS RESERVED. AMP PRODUCTS COVERED BY PATENTS AND/OR PATENTS PENDING.

REVISIONS			
SYM	DESCRIPTION	DATE	APPD
E	REV PER AD1327	7-24-86	CP / HGR
F	OBS PER AD1831	3-22-88	LB HGR
G	OBS-2 PER ECN 0679-93	7-93	RAC
H	REV PER EC 0310-319-97	20 Nov 97	NJ



AMP INFO		
LOC	PRINT DIST	WIRE SIZE
FT	22	18 or 20

UNLESS OTHERWISE SPECIFIED DIMENSIONS ARE IN INCHES TOLERANCES ON		
FRACTIONS ± #	DECIMALS ±.005	ANGLES ± #
MATERIAL 0100 COML. PHOS BRONZE		
REF. INSL. RANGE 2 - .080 DIA. MAX.		
FINISH SEE TABLE		

SIGNATURE	DATE
DR <i>M.A. Malley</i>	8/10/64
CHK <i>D.S. Heide</i>	8/10/64
DSGN ENGR	
APPD <i>R. Showman</i>	8/11/64
<i>R. Kelly</i>	8/11/64

66028-5	OBSOLETE	000015 GOLD / 000050 NICKEL
66028-4	OBSOLETE	000060 GOLD / 000100 NICKEL
66028-3		000030 GOLD / NICKEL
66028-2	OBSOLETE	TIN
66028-1		NONE
PART NO.	FINISH	

AMP AMP INCORPORATED HARRISBURG, PENNSYLVANIA

NAME
AMP LEAF CONTACT,
LOOSE PIECE

DSGN APPD	CODE IDENT NO	SIZE	NUMBER
OTHER APPD	00779	A	66028
SCALE 5-	WT	CALC	ACTUAL
			SHEET 1 OF 1