



Chipsmall Limited consists of a professional team with an average of over 10 year of expertise in the distribution of electronic components. Based in Hongkong, we have already established firm and mutual-benefit business relationships with customers from,Europe,America and south Asia,supplying obsolete and hard-to-find components to meet their specific needs.

With the principle of “Quality Parts,Customers Priority,Honest Operation,and Considerate Service”,our business mainly focus on the distribution of electronic components. Line cards we deal with include Microchip,ALPS,ROHM,Xilinx,Pulse,ON,Everlight and Freescale. Main products comprise IC,Modules,Potentiometer,IC Socket,Relay,Connector.Our parts cover such applications as commercial,industrial, and automotives areas.

We are looking forward to setting up business relationship with you and hope to provide you with the best service and solution. Let us make a better world for our industry!



Contact us

Tel: +86-755-8981 8866 Fax: +86-755-8427 6832

Email & Skype: info@chipsmall.com Web: www.chipsmall.com

Address: A1208, Overseas Decoration Building, #122 Zhenhua RD., Futian, Shenzhen, China

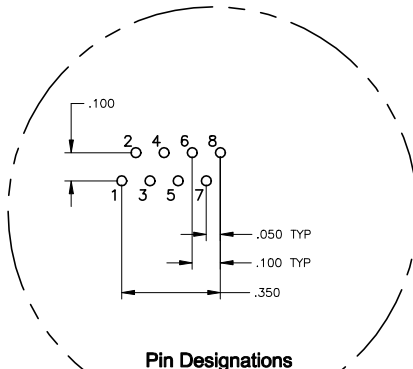
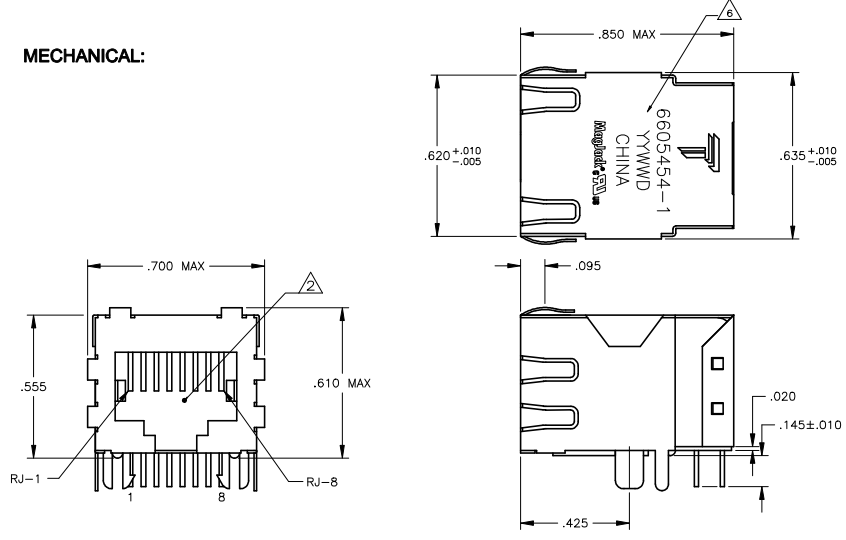


THIS DRAWING AND THE SUBJECT MATTER SHOWN THEREON ARE CONFIDENTIAL AND THE PROPERTY OF BEL/STEWART/TRP CONNECTOR AND SHALL NOT BE REPRODUCED, COPIED, OR USED IN ANY MANNER WITHOUT THE WRITTEN CONSENT OF TRP CONNECTOR.

PRODUCT MAY BE PROTECTED BY ONE OR MORE OF THE FOLLOWING US PATENTS:
 5736910 5939955 6425781 6428361 6554638 6840817 7123117
 7429195 7717749 7808751 6217391 6149050 7924130

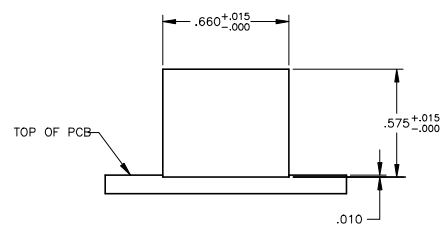
REVISIONS			
REV	DESCRIPTION	DATE	BY
E	EC-1411035 COMPANY LOGO CHANGE	28DEC2014	ST TL

MECHANICAL:

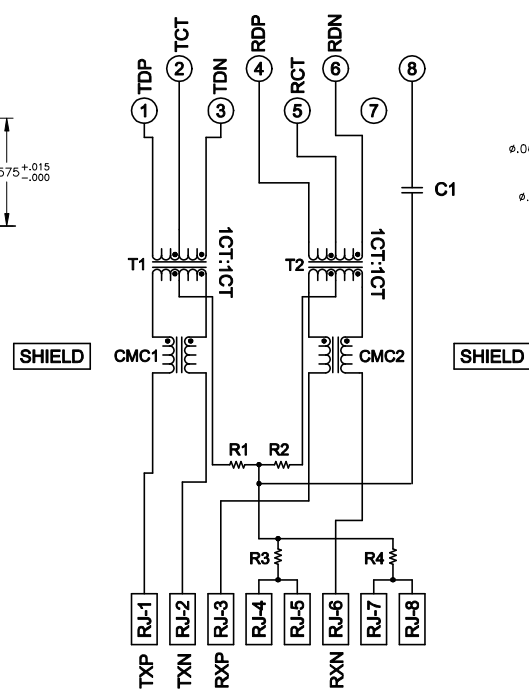


Pin Designations

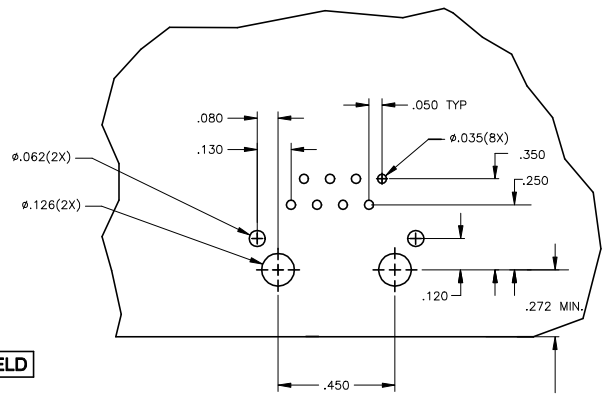
426P1ET SERIES MAGNETIC CIRCUIT



Suggested Panel Cutout



C1 = 1000 pF, 2KV CAPACITOR
 R1-R4 = 75 OHMS, 1/16 W RESISTORS



**Suggested PCB Layout
(Component Side)**

1. MATERIALS:
 HOUSING - THERMOPLASTIC PET POLYESTER FLAMMABILITY RATING UL 94V-0.
 SHIELD - .010" THICK, C26800 BRASS PREPLATED WITH 30μINCH MIN SEMI-BRIGHT NICKEL. SOLDER TABS POST DIPPED WITH 100μINCH MIN SAC SOLDER.
 MOD JACK CONTACTS - 0.0157 X 0.018" PHOSPHOR BRONZE, 50μINCH MIN OVERALL NICKEL UNDERPLATE WITH SELECT 50μINCH MIN HARD GOLD FINISH PLATE. SOLDER TAILS WITH 100μINCH MIN MATTE TIN AND/OR SAC SOLDER DIP.
- △ RJ45 JACK CAVITY CONFORMS TO FCC RULES AND REGULATIONS PART 68, SUB PART F.
- △ MAGNETICS
 - IMPEDANCE: 100 OHMS
 - TURNS RATIO (CHIP-CABLE): TX = 1:1, RX = 1:1
 - OPEN CIRCUIT INDUCTANCE (OCL): 350μH MIN @ 100kHz, 0.1VRMS, 8mA DC BIAS FROM -40°C TO +85°C, TX AND RX
 - PERFORMANCE @ 25°C:
 INSERTION LOSS (IL): 1.1dB MAX FROM 0.5MHZ TO 100MHZ
 RETURN LOSS (RL): 18dB MIN FROM 0.5MHZ TO 30MHZ
 18-20LOG(f/30)dB MIN FROM 30.1MHZ TO 60MHZ
 12dB MIN FROM 60.1MHZ TO 80MHZ
 CROSSTALK ATTENUATION: 35dB MIN FROM 0.5MHZ TO 40MHZ
 33-20xLOG(f/50)dB MIN FROM 40.1MHZ TO 100MHZ
 COMMON MODE REJECTION RATIO (CMRR): 30dB MIN FROM 0.5MHZ TO 100MHZ
 ISOLATION VOLTAGE: 2250VDC (MAX) FOR 60 SECONDS WITH A RISE TIME OF 500V/SEC.
4. OPERATING TEMPERATURE: FROM -40°C TO +85°C.
- △ INDICATED CONNECTIONS ARE FOR NIC CONFIGURATION. THE MAGNETICS ARE SYMMETRIC, AND SUPPORT AUTO-MDI/MIDX.
- △ TRP CONNECTOR LOGO, PART NUMBER, DATE CODE, COUNTRY OF ORIGIN AND AGENCY APPROVAL MARKING IN APPROXIMATE LOCATION SHOWN.
7. THE PART IS RECOMMENDED FOR WAVE SOLDERING PROCESS, PREHEAT TEMPERATURE IS 120°C TO 160°C, 120 SECONDS TO 180 SECONDS, PEAK SOLDERING TEMPERATURE IS 260 °C MAX, 10 SECONDS MAX.

6605454-1
 PART NUMBER

DIMENSIONS:		UNLESS SPECIFIED:	
INCHES	DECIMALS	FRACTIONS	FRACTIONS
0.125	0.005	1/32	1/32
0.250	0.010	1/16	1/16
0.375	0.015	3/32	3/32
0.500	0.020	1/8	1/8
0.625	0.025	5/32	5/32
0.750	0.030	3/16	3/16
0.875	0.035	7/32	7/32
1.000	0.040	1/4	1/4
1.125	0.045	9/32	9/32
1.250	0.050	1/2	1/2
1.375	0.055	11/32	11/32
1.500	0.060	3/8	3/8
1.625	0.065	13/32	13/32
1.750	0.070	7/16	7/16
1.875	0.075	15/32	15/32
2.000	0.080	1/2	1/2
2.125	0.085	17/32	17/32
2.250	0.090	9/16	9/16
2.375	0.095	19/32	19/32
2.500	0.100	5/8	5/8
2.625	0.105	21/32	21/32
2.750	0.110	11/16	11/16
2.875	0.115	23/32	23/32
3.000	0.120	3/4	3/4
3.125	0.125	25/32	25/32
3.250	0.130	13/16	13/16
3.375	0.135	27/32	27/32
3.500	0.140	7/8	7/8
3.625	0.145	29/32	29/32
3.750	0.150	15/16	15/16
3.875	0.155	31/32	31/32
4.000	0.160	1	1

THIS DRAWING IS A CONTROLLED DOCUMENT.	BY: A. FERNANDEZ-RODRIGUEZ	DATE: 01/14/2015	DESIGNER: A. FERNANDEZ-RODRIGUEZ
	CHK: D. FAROLE	DATE: 01/14/2015	DESIGNER: D. FAROLE
	APP: D. FAROLE	DATE: 01/14/2015	DESIGNER: D. FAROLE
	CHK: D. FAROLE	DATE: 01/14/2015	DESIGNER: D. FAROLE
	APP: D. FAROLE	DATE: 01/14/2015	DESIGNER: D. FAROLE
	CHK: D. FAROLE	DATE: 01/14/2015	DESIGNER: D. FAROLE
	APP: D. FAROLE	DATE: 01/14/2015	DESIGNER: D. FAROLE
PRODUCT SPEC: 108-2100			

REV	DATE	DESCRIPTION	BY
A1	01/14/2015	1X1 426P1ET 10/100 TAB DOWN W/O LED	ST

TRP CONNECTOR DONGGUAN CHINA
 MAGJACK SINGLE NON-POE
 C-6605454
 CUSTOMER DRAWING