



Chipsmall Limited consists of a professional team with an average of over 10 year of expertise in the distribution of electronic components. Based in Hongkong, we have already established firm and mutual-benefit business relationships with customers from,Europe,America and south Asia,supplying obsolete and hard-to-find components to meet their specific needs.

With the principle of “Quality Parts,Customers Priority,Honest Operation,and Considerate Service”,our business mainly focus on the distribution of electronic components. Line cards we deal with include Microchip,ALPS,ROHM,Xilinx,Pulse,ON,Everlight and Freescale. Main products comprise IC,Modules,Potentiometer,IC Socket,Relay,Connector.Our parts cover such applications as commercial,industrial, and automotives areas.

We are looking forward to setting up business relationship with you and hope to provide you with the best service and solution. Let us make a better world for our industry!



Contact us

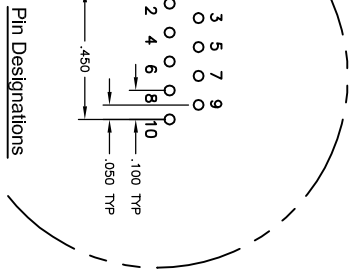
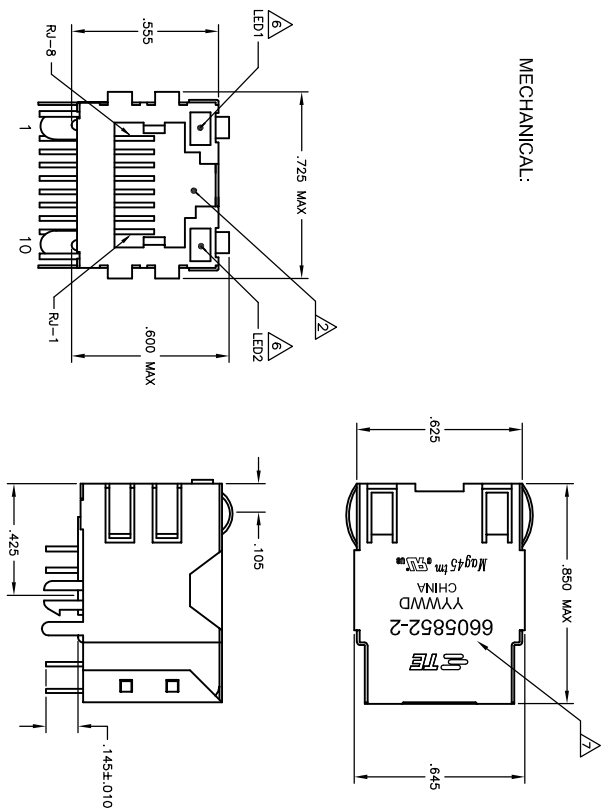
Tel: +86-755-8981 8866 Fax: +86-755-8427 6832

Email & Skype: info@chipsmall.com Web: www.chipsmall.com

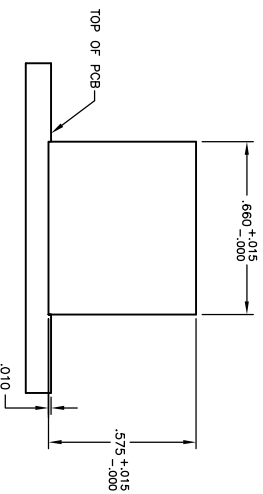
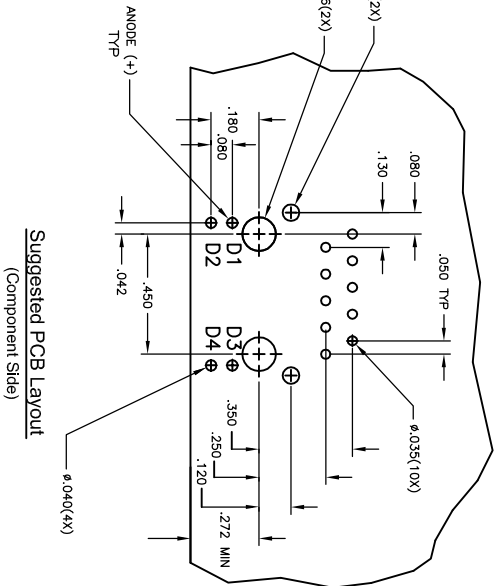
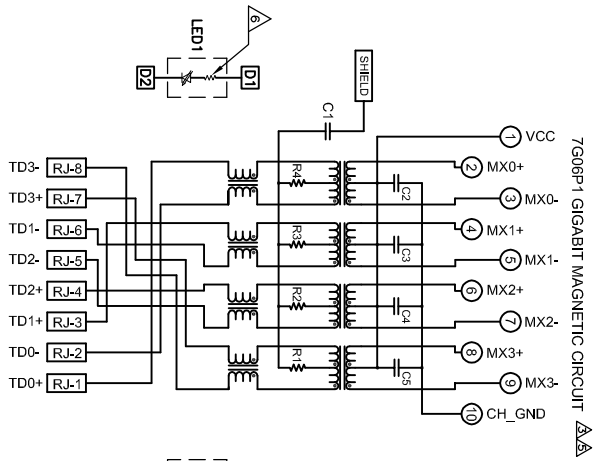
Address: A1208, Overseas Decoration Building, #122 Zhenhua RD., Futian, Shenzhen, China



MECHANICAL:



ELECTRICAL:



- MATERIALS:**
- HOUSING - THERMOPLASTIC PET POLYESTER FLAMMABILITY RATING UL 94V-0.
 - SHIELD - 0.01" THICK, C26800 BRASS PREPLATED WITH 30µINCH MIN SEMI-BRIGHT NICKEL, SOLDER TABS POST DIPPED WITH 100µINCH MIN SAC SOLDER.
 - HOD JACK CONTACTS - 0.0157" x 0.018" PHOSPHOR BRONZE, 50µINCH MIN OVERALL NICKEL UNDERPLATE, WITH SELECT 50µINCH MIN HARD GOLD FINISH PLATE.
 - SOLDER TABS WITH 100µINCH MIN MATE TIN AND/OR SAC SOLDER DIP.
 - LIGHT EMITTING DIODE(LED) - DIFFUSED EPOXY LENS, 0.20" x 0.20" CARBON STEEL WIREFRAME LEADS PRE-PLATED WITH 80µINCH SILVER OVER 40µINCH NICKEL UNDERPLATE OVER 40µINCH COPPER UNDERPLATE, POST-PLATED WITH 100µINCH MIN MATE TIN AND/OR SAC SOLDER DIP OR PURE TIN SOLDER DIP.
- PINS:** JACK CAVITY CONFORMS TO FCC RULES AND REGULATIONS PART 68, SUB PART 7.

- MAGNETICS:**
- IMPEDANCE: 100 OHMS
 - TURNS RATIO (CABLE): 1:1 ALL FOUR PAIRS
 - OPEN CIRCUIT INDUCTANCE (OCL): 350µH MIN @100MHZ, 0.1VRRMS, 8mA DC BIAS FROM 0°C TO 70°C, ALL FOUR PAIRS
 - ALL FOUR PAIRS BI-DIRECTIONAL
 - PERFORMANCE @ 25°C
 - INSERTION LOSS (IL): 1.1dB MAX FROM 0.5MHZ TO 100MHZ
 - RETURN LOSS (RL): 18dB MIN FROM 0.5MHZ TO 40MHZ
 - 12-20LOG(F/50)DB MIN FROM 4.0 MHZ TO 100MHZ
 - CROSSTALK ATTENUATION: 35dB MIN FROM 0.5MHZ TO 40MHZ
 - 33-20*LOG(F/50)DB MIN FROM 4.0 MHZ TO 100MHZ
 - COMMON MODE REJECTION RATIO (CMRR): 30dB MIN FROM 0.5MHZ TO 100MHZ
 - ISOLATION VOLTAGE(250VDC (MAX)) FOR 60 SECONDS WITH A RISE TIME OF 500V/SEC.
4. OPERATING TEMPERATURE: FROM 0°C - +70°C.

- TE CONNECTIVITY LOGO, PART NUMBER, DATE CODE, COUNTRY OF ORIGIN AND AGENCY APPROVAL MARKING IN APPROXIMATE LOCATION SHOWN.**
8. THESE PARTS ARE RECOMMENDED FOR WAVE SOLDERING PROCESS. PREHEAT TEMPERATURE IS 120°C TO 160°C, 120 SECONDS TO 180 SECONDS. PEAK WAVE SOLDERING TEMPERATURE IS 260°C MAX, 10 SECONDS MAX.
- LEDS WITH BUILT-IN RESISTOR**
- LEDS ARE DRIVEN WITH 5V VOLTAGE AND THE MAX OPERATING CURRENT IS 20mA.
- LED COLOR: DOMINANT WAVELENGTH (NM): GREEN 568 nm TYP @ VF=5V
- FORWARD CURRENT (IF): GREEN 70mA TYP @ VF=5V
- DOMINANT WAVELENGTH (NM): YELLOW 588 nm TYP @ VF=5V
- FORWARD CURRENT (IF): YELLOW 10mA TYP @ VF=5V

THIS DRAWING IS A CONTROLLED DOCUMENT.

REVISION	DATE	DESCRIPTION	BY	CHK
1	2019-08-22	ISSUE FOR PRODUCTION	AL	AL
2	2019-08-22	REVISED TO ADD DIMENSIONS	AL	AL
3	2019-08-22	REVISED TO ADD DIMENSIONS	AL	AL
4	2019-08-22	REVISED TO ADD DIMENSIONS	AL	AL
5	2019-08-22	REVISED TO ADD DIMENSIONS	AL	AL
6	2019-08-22	REVISED TO ADD DIMENSIONS	AL	AL
7	2019-08-22	REVISED TO ADD DIMENSIONS	AL	AL
8	2019-08-22	REVISED TO ADD DIMENSIONS	AL	AL

1X1 MAG45(N), 706P1 GIGABIT ETHERNET SCHEMATIC, 706P1 MAGNETIC CIRCUIT, SHIELD, DECOUPLING CAPACITOR, WITH RESISTOR LEADS

TE Connectivity

6605852-1 GREEN

6605852-2 YELLOW

6605852-3 GREEN

6605852-4 YELLOW

6605852-5 GREEN

6605852-6 YELLOW

6605852-7 GREEN

6605852-8 YELLOW

6605852-9 GREEN

6605852-10 YELLOW

6605852-11 GREEN

6605852-12 YELLOW

6605852-13 GREEN

6605852-14 YELLOW

6605852-15 GREEN

6605852-16 YELLOW

6605852-17 GREEN

6605852-18 YELLOW

6605852-19 GREEN

6605852-20 YELLOW

6605852-21 GREEN

6605852-22 YELLOW

6605852-23 GREEN

6605852-24 YELLOW

6605852-25 GREEN

6605852-26 YELLOW

6605852-27 GREEN

6605852-28 YELLOW

6605852-29 GREEN

6605852-30 YELLOW

6605852-31 GREEN

6605852-32 YELLOW

6605852-33 GREEN

6605852-34 YELLOW

6605852-35 GREEN

6605852-36 YELLOW

6605852-37 GREEN

6605852-38 YELLOW

6605852-39 GREEN

6605852-40 YELLOW

6605852-41 GREEN

6605852-42 YELLOW

6605852-43 GREEN

6605852-44 YELLOW

6605852-45 GREEN

6605852-46 YELLOW

6605852-47 GREEN

6605852-48 YELLOW

6605852-49 GREEN

6605852-50 YELLOW

6605852-51 GREEN

6605852-52 YELLOW

6605852-53 GREEN

6605852-54 YELLOW

6605852-55 GREEN

6605852-56 YELLOW

6605852-57 GREEN

6605852-58 YELLOW

6605852-59 GREEN

6605852-60 YELLOW

6605852-61 GREEN

6605852-62 YELLOW

6605852-63 GREEN

6605852-64 YELLOW

6605852-65 GREEN

6605852-66 YELLOW

6605852-67 GREEN

6605852-68 YELLOW

6605852-69 GREEN

6605852-70 YELLOW

6605852-71 GREEN

6605852-72 YELLOW

6605852-73 GREEN

6605852-74 YELLOW

6605852-75 GREEN

6605852-76 YELLOW

6605852-77 GREEN

6605852-78 YELLOW

6605852-79 GREEN

6605852-80 YELLOW

6605852-81 GREEN

6605852-82 YELLOW

6605852-83 GREEN

6605852-84 YELLOW

6605852-85 GREEN

6605852-86 YELLOW

6605852-87 GREEN

6605852-88 YELLOW

6605852-89 GREEN

6605852-90 YELLOW

6605852-91 GREEN

6605852-92 YELLOW

6605852-93 GREEN

6605852-94 YELLOW

6605852-95 GREEN

6605852-96 YELLOW

6605852-97 GREEN

6605852-98 YELLOW

6605852-99 GREEN

6605852-100 YELLOW