



Chipsmall Limited consists of a professional team with an average of over 10 year of expertise in the distribution of electronic components. Based in Hongkong, we have already established firm and mutual-benefit business relationships with customers from,Europe,America and south Asia,supplying obsolete and hard-to-find components to meet their specific needs.

With the principle of “Quality Parts,Customers Priority,Honest Operation,and Considerate Service”,our business mainly focus on the distribution of electronic components. Line cards we deal with include Microchip,ALPS,ROHM,Xilinx,Pulse,ON,Everlight and Freescale. Main products comprise IC,Modules,Potentiometer,IC Socket,Relay,Connector.Our parts cover such applications as commercial,industrial, and automotives areas.

We are looking forward to setting up business relationship with you and hope to provide you with the best service and solution. Let us make a better world for our industry!



Contact us

Tel: +86-755-8981 8866 Fax: +86-755-8427 6832

Email & Skype: info@chipsmall.com Web: www.chipsmall.com

Address: A1208, Overseas Decoration Building, #122 Zhenhua RD., Futian, Shenzhen, China



4

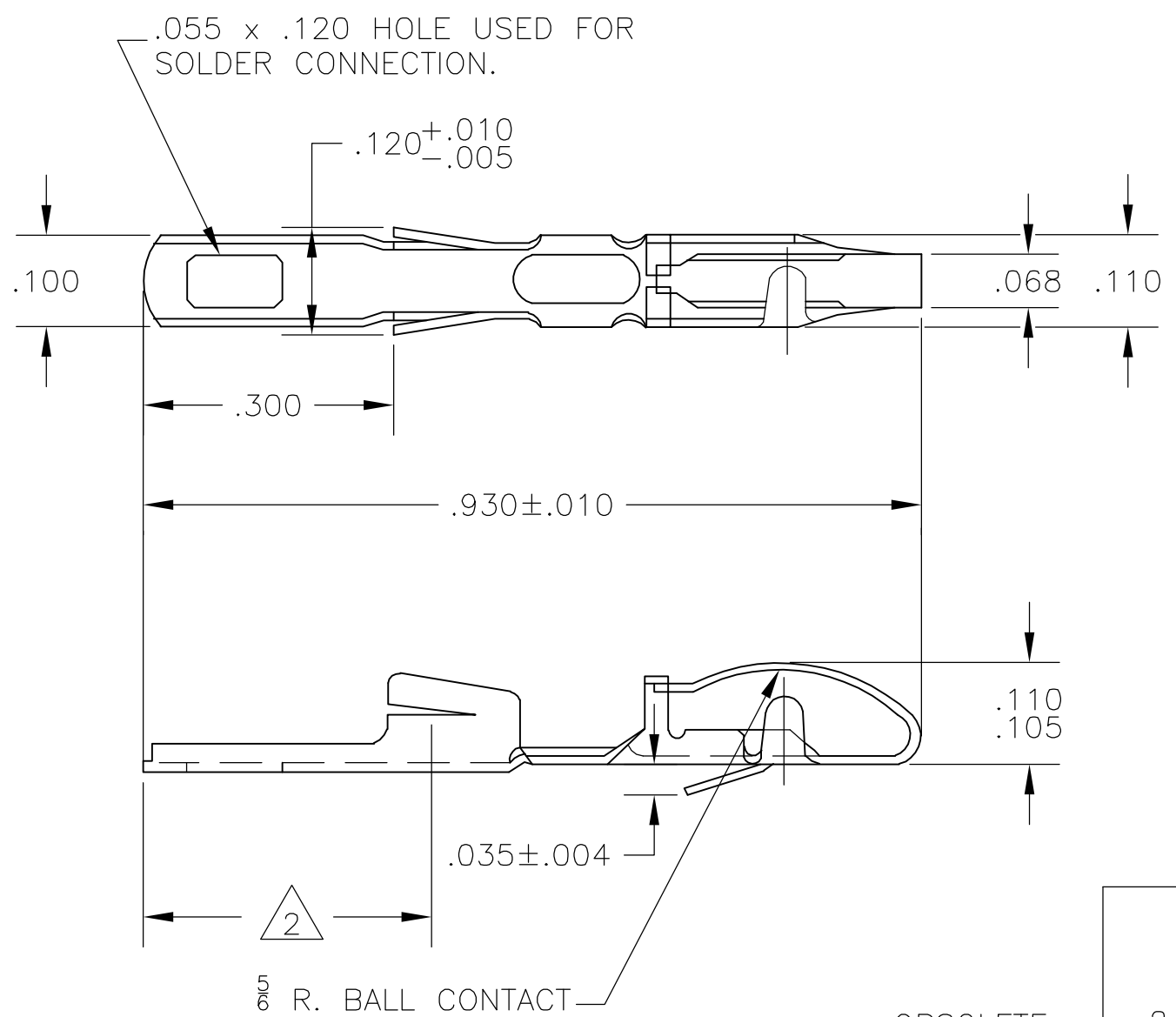
3

2

1

THIS DRAWING IS UNPUBLISHED. RELEASED FOR PUBLICATION
 © COPYRIGHT - BY TYCO ELECTRONICS CORPORATION. ALL RIGHTS RESERVED.

LOC	DIST	REVISIONS					
AD	00	P	LTR	DESCRIPTION	DATE	DWN	APVD
		M		ECO 05 006319	23MAY06	BSV	MK



- 1 SELECTIVE GOLD PLATE OVER NICKEL ON CONTACT AREA ONLY.
- 2 GOLD FLASH OR TIN PLATE OVER NICKEL ON SOLDER TAB.

	5-66067-5	.000015 GOLD OVER NICKEL	FOR 1/16" P.C.BOARD	
	66067-5	.000015 GOLD OVER NICKEL		
OBSOLETE	2-#16	66067-4		.000060 GOLD OVER NICKEL
OBSOLETE	MAX.	66067-3		.000030 GOLD OVER NICKEL
	WIRE SIZE	PART NO.	FINISH	HOUSING

THIS DRAWING IS A CONTROLLED DOCUMENT.		DWN M. SMITH 22JUN67	tyco Electronics		Tyco Electronics Corporation Harrisburg, Pa 17105-3608													
DIMENSIONS: INCHES		CHK -	NAME AMP LEAF SOLDER TAB															
TOLERANCES UNLESS OTHERWISE SPECIFIED:		APVD -	PRODUCT SPEC -															
<table border="0"> <tr><td>0 PLC</td><td>± -</td></tr> <tr><td>1 PLC</td><td>± -</td></tr> <tr><td>2 PLC</td><td>± -</td></tr> <tr><td>3 PLC</td><td>± -</td></tr> <tr><td>4 PLC</td><td>± -</td></tr> <tr><td>ANGLES</td><td>± 1' 0"</td></tr> </table>		0 PLC	± -	1 PLC	± -	2 PLC	± -	3 PLC	± -	4 PLC	± -	ANGLES	± 1' 0"	APPLICATION SPEC -	SIZE A3	CAGE CODE 00779	DRAWING NO C-66067	RESTRICTED TO -
0 PLC	± -																	
1 PLC	± -																	
2 PLC	± -																	
3 PLC	± -																	
4 PLC	± -																	
ANGLES	± 1' 0"																	
MATERIAL .010 COML. PHOS. BRONZE		FINISH SEE TABLE	WEIGHT -	CUSTOMER DRAWING														
			SCALE 5:1	SHEET 1 OF 1	REV M													