



Chipsmall Limited consists of a professional team with an average of over 10 year of expertise in the distribution of electronic components. Based in Hongkong, we have already established firm and mutual-benefit business relationships with customers from,Europe,America and south Asia,supplying obsolete and hard-to-find components to meet their specific needs.

With the principle of “Quality Parts,Customers Priority,Honest Operation,and Considerate Service”,our business mainly focus on the distribution of electronic components. Line cards we deal with include Microchip,ALPS,ROHM,Xilinx,Pulse,ON,Everlight and Freescale. Main products comprise IC,Modules,Potentiometer,IC Socket,Relay,Connector.Our parts cover such applications as commercial,industrial, and automotives areas.

We are looking forward to setting up business relationship with you and hope to provide you with the best service and solution. Let us make a better world for our industry!



Contact us

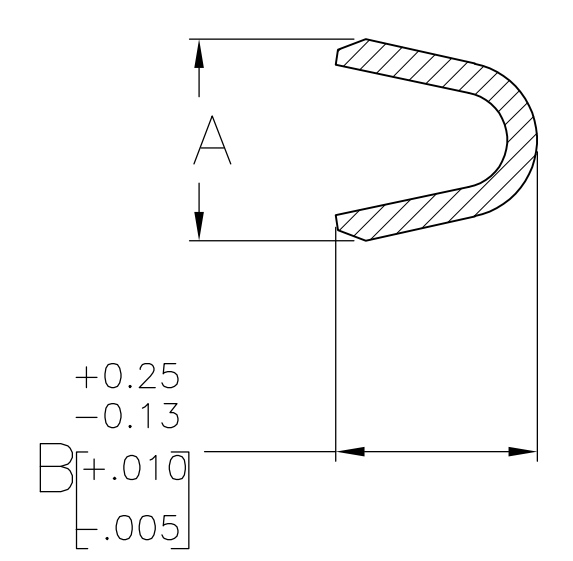
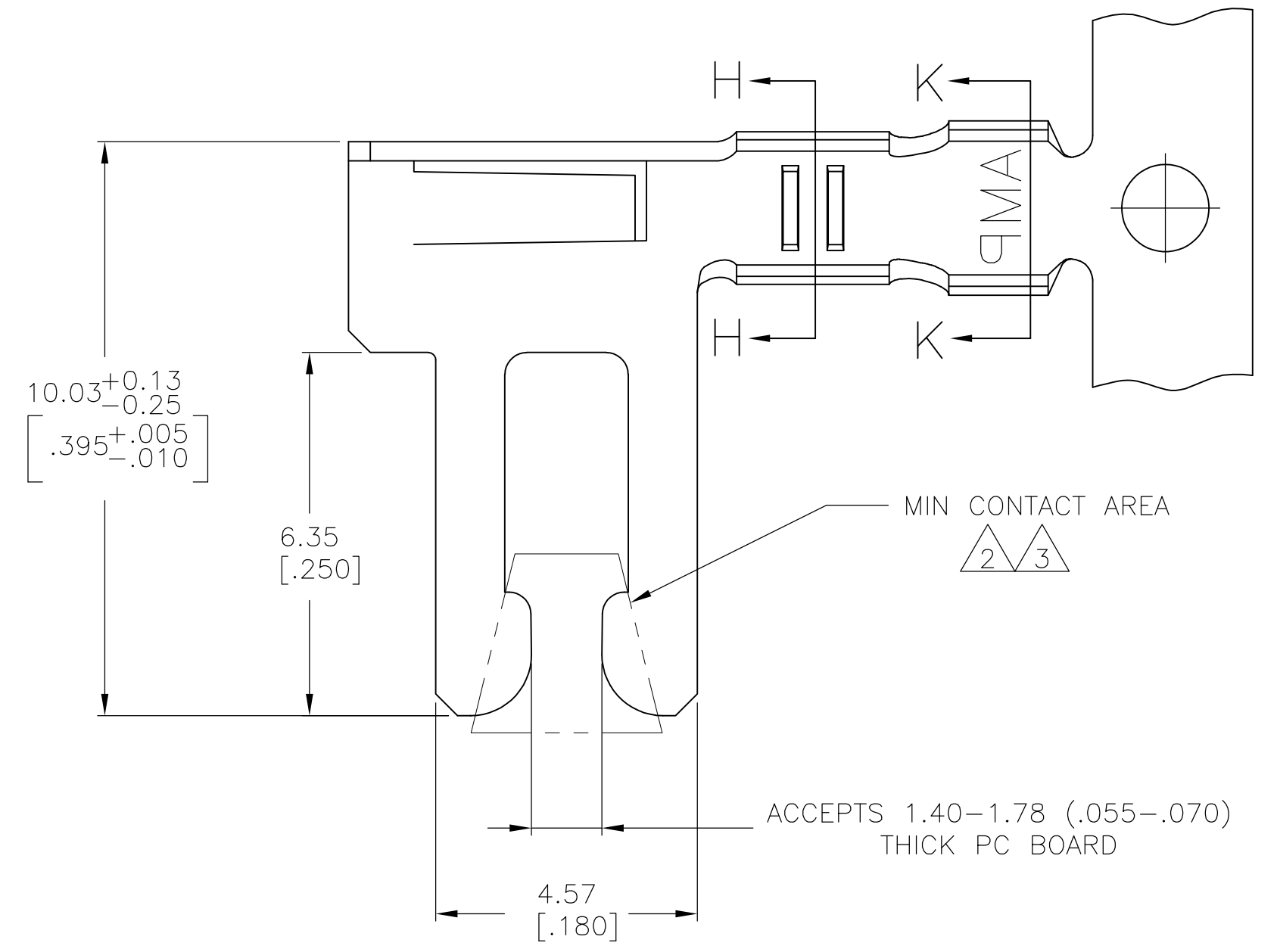
Tel: +86-755-8981 8866 Fax: +86-755-8427 6832

Email & Skype: info@chipsmall.com Web: www.chipsmall.com

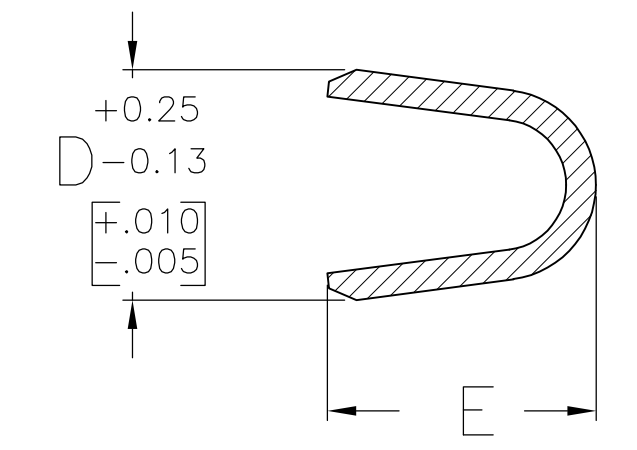
Address: A1208, Overseas Decoration Building, #122 Zhenhua RD., Futian, Shenzhen, China



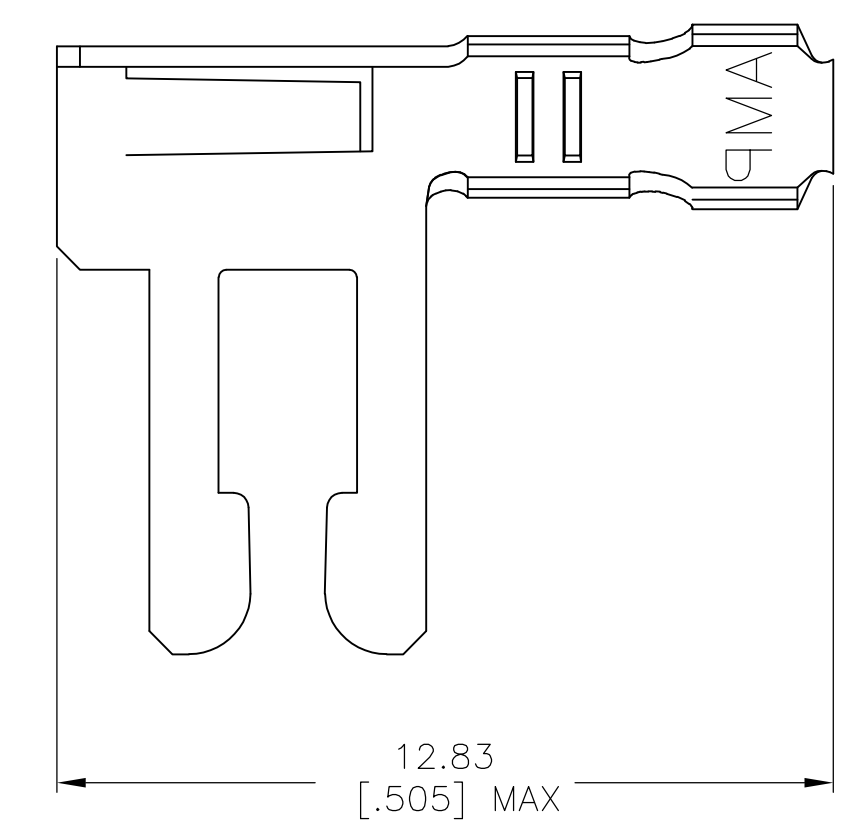
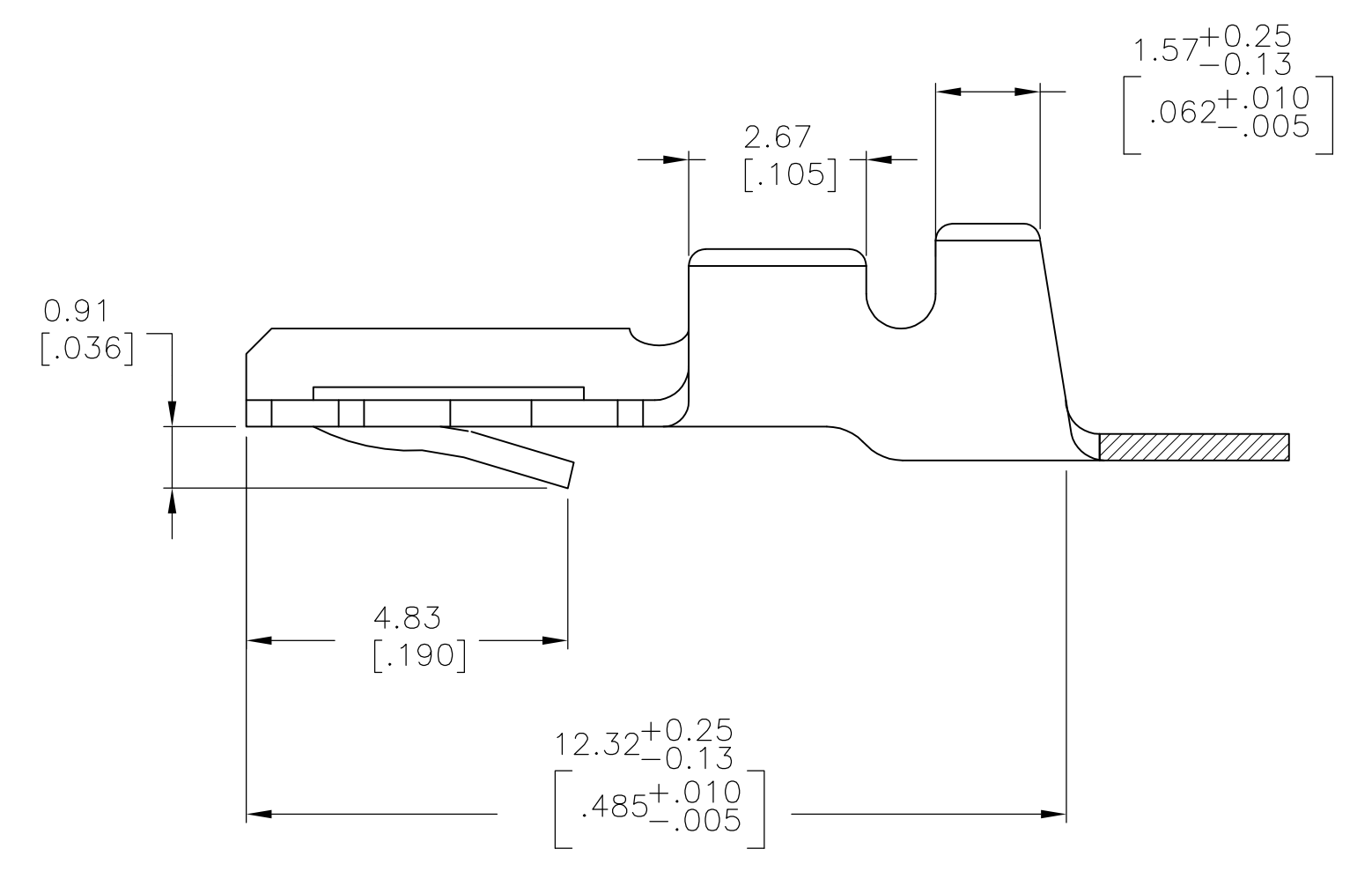
LOC		DIST		REVISIONS			
AD	00	P	LTR	DESCRIPTION	DATE	DMN	APVD
		AK		ECO-05-004683	20JAN06	BSV	MM
		AK1		REVISED PER ECO-09-020774	21AUG09	KK	AEG



SECTION H-H



SECTION K-K



DETAIL X
SCALE 8:1

- REFER TO CUSTOMER DRAWINGS 530509, 530853, 582370, & 582380 FOR HOUSING AND PC BOARD REQUIREMENTS.
- 0.76 μ m[.000030] MIN GOLD OVER 1.27 μ m[.000050] MIN NICKEL IN CONTACT AREA, 1.27 μ m[.000050] MIN NICKEL ON REMAINDER OF CONTACT.
- 0.38 μ m[.000030] MIN GOLD OVER 1.27 μ m[.000050] MIN NICKEL IN CONTACT AREA, 1.27 μ m[.000050] MIN NICKEL ON REMAINDER OF CONTACT.
- 3.81 μ m[.000150] MIN TIN-LEAD OVER 0.76 μ m[.000030] MIN NICKEL ALL OVER.
- FOR USE WITH STANDARD APPLICATOR.
- FOR USE WITH MINATURE APPLICATOR.
- 3.81 μ m[.000150] MIN MATTE TIN PLATE OVER 0.76 μ m[.000030] MIN NICKEL ALL OVER.
- OBSOLETE PARTS: OBSOLETE CIS STREAMLINING PER D.RENAUD/D.SINISI

△8	OBSOLETE	0.89-1.40 [.035-.055]	26-22	2.16 [.085]	2.54 [.100]	1.90 [.075]	1.90-2.41 [.075-.095]	PER DETAIL-X	-	△4	5-66150-2
△8	OBSOLETE	1.52-2.29 [.060-.090]	22-18	3.56 (+0.25/-0.13) [.140 (+0.010/-0.005)]	3.05 [.120]	2.67 [.105]	2.67-3.30 [.105-.130]	PER DETAIL-X	-	△4	5-66088-2
		0.89-1.40 [.035-.055]	26-22	2.16 [.085]	2.54 [.100]	1.90 [.075]	1.90-2.41 [.075-.095]	-	△6	△2	5-66362-1
		1.52-2.29 [.060-.090]	22-18	3.56 (+0.25/-0.13) [.140 (+0.010/-0.005)]	3.05 [.120]	2.67 [.105]	2.67-3.30 [.105-.130]	-	△6	△4	5-66335-2
△8	OBSOLETE	1.52-2.29 [.060-.090]	22-18	3.56 (+0.25/-0.13) [.140 (+0.010/-0.005)]	3.05 [.120]	2.67 [.105]	2.67-3.30 [.105-.130]	-	△5	△4	5-60215-4
		0.89-1.40 [.035-.055]	26-22	2.16 [.085]	2.54 [.100]	1.90 [.075]	1.90-2.41 [.075-.095]	PER DETAIL-X	-	△4	66150-2
		1.52-2.29 [.060-.090]	22-18	3.56 (+0.25/-0.13) [.140 (+0.010/-0.005)]	3.05 [.120]	2.67 [.105]	2.67-3.30 [.105-.130]	PER DETAIL-X	-	△4	66088-2
		0.89-1.40 [.035-.055]	26-22	2.16 [.085]	2.54 [.100]	1.90 [.075]	1.90-2.41 [.075-.095]	-	△6	△2	66362-2
		0.89-1.40 [.035-.055]	26-22	2.16 [.085]	2.54 [.100]	1.90 [.075]	1.90-2.41 [.075-.095]	-	△6	△4	66362-1
△8	OBSOLETE	1.52-2.29 [.060-.090]	22-18	3.56 (+0.25/-0.13) [.140 (+0.010/-0.005)]	3.05 [.120]	2.67 [.105]	2.67-3.30 [.105-.130]	-	△6	△2	66335-3
		1.52-2.29 [.060-.090]	22-18	3.56 (+0.25/-0.13) [.140 (+0.010/-0.005)]	3.05 [.120]	2.67 [.105]	2.67-3.30 [.105-.130]	-	△6	△4	66335-2
		1.52-2.29 [.060-.090]	22-18	3.56 (+0.25/-0.13) [.140 (+0.010/-0.005)]	3.05 [.120]	2.67 [.105]	2.67-3.30 [.105-.130]	-	△5	△2	60215-5
		1.52-2.29 [.060-.090]	22-18	3.56 (+0.25/-0.13) [.140 (+0.010/-0.005)]	3.05 [.120]	2.67 [.105]	2.67-3.30 [.105-.130]	-	△5	△4	60215-4
				E	D	B	A	LOOSE PIECE	REELING	FINISH	PART NUMBER

THIS DRAWING IS A CONTROLLED DOCUMENT. DIMENSIONS: mm [INCHES]. TOLERANCES UNLESS OTHERWISE SPECIFIED: 0 PLC ±, 1 PLC ±, 2 PLC ±, 3 PLC ± 0.13 [0.005], 4 PLC ±, ANGLES ±.

MATERIAL: PHOSPHOR BRONZE. FINISH: SEE TABLE.

THIS DRAWING IS A CONTROLLED DOCUMENT. DIM: M. BINNER 09 JUL 97. CHK: R. STONE 11 NOV 97. APVD: D. WIKE 09 APR 98. NAME: Tyco Electronics Corporation, Harrisburg, Pa 17105-3608.

PRODUCT SPEC: 108-9016. APPLICATION SPEC: 114-9002. WEIGHT: -. SIZE: A1. CAGE CODE: 00779. DRAWING NO: 60215. RESTRICTED TO: CUSTOMER DRAWING. SCALE: 10:1. SHEET: 1 OF 1. REV: AK1.