



Chipsmall Limited consists of a professional team with an average of over 10 year of expertise in the distribution of electronic components. Based in Hongkong, we have already established firm and mutual-benefit business relationships with customers from,Europe,America and south Asia,supplying obsolete and hard-to-find components to meet their specific needs.

With the principle of "Quality Parts,Customers Priority,Honest Operation,and Considerate Service",our business mainly focus on the distribution of electronic components. Line cards we deal with include Microchip,ALPS,ROHM,Xilinx,Pulse,ON,Everlight and Freescale. Main products comprise IC,Modules,Potentiometer,IC Socket,Relay,Connector.Our parts cover such applications as commercial,industrial, and automotives areas.

We are looking forward to setting up business relationship with you and hope to provide you with the best service and solution. Let us make a better world for our industry!



Contact us

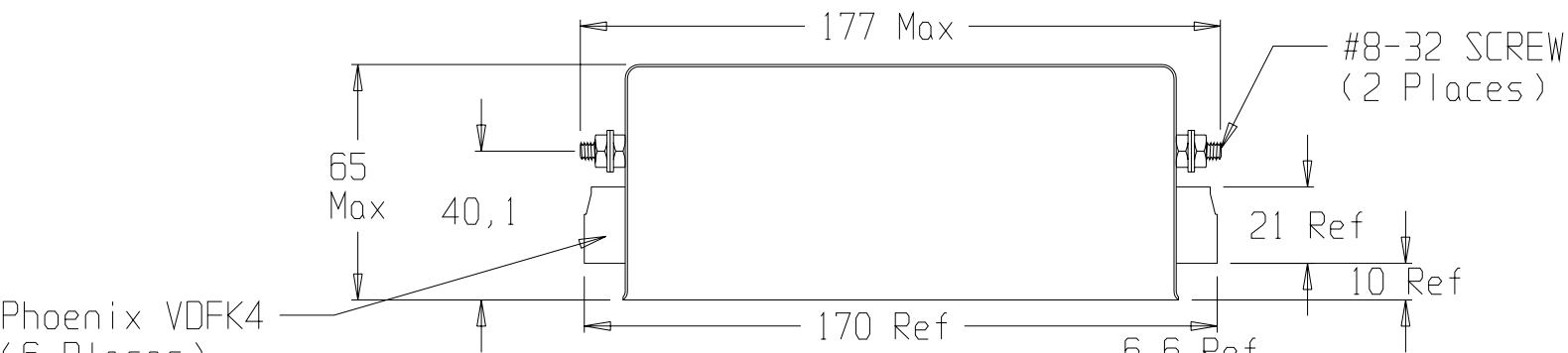
Tel: +86-755-8981 8866 Fax: +86-755-8427 6832

Email & Skype: info@chipsmall.com Web: www.chipsmall.com

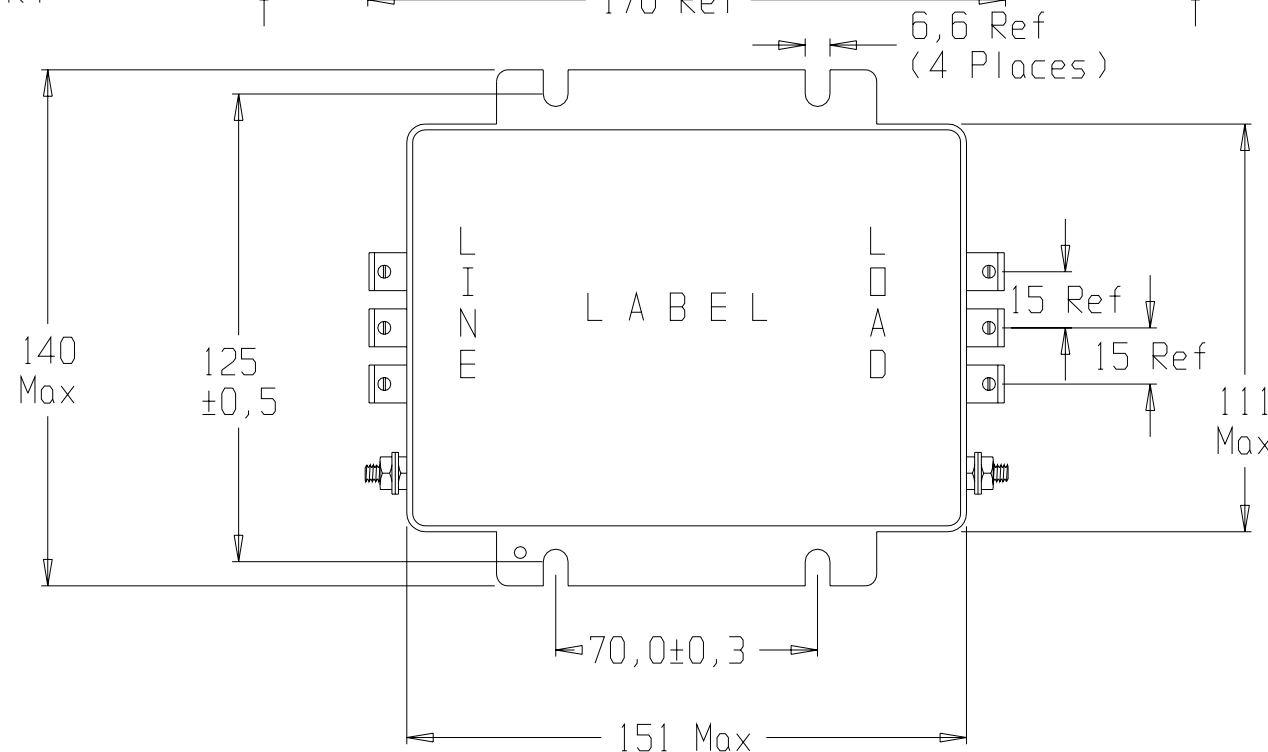
Address: A1208, Overseas Decoration Building, #122 Zhenhua RD., Futian, Shenzhen, China



ECN #	APPRVD.	DATE	REV.
/			



Phoenix VDFK4
(6 Places)



SPECIFICATION

12Amp /40°C 50-60Hz

440VAC Phase to Phase

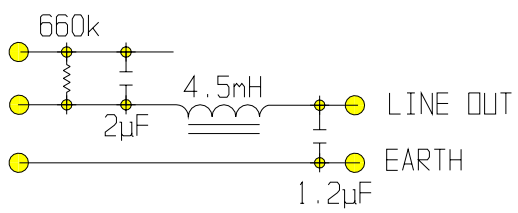
250VAC Phase to Neutral/Gnd

ATTENUATION

Comm. Mode - 70dB μ V at 100kHz

Dif. Mode - 70dB μ V at 100kHz

EQUIVALENT SCHEMATIC MEASURED AT 1kHz

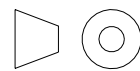


Max. Leakage current at 10% unsymmetrical mains, each Line to Ground:

2,3mA at 120V 60Hz

4,0mA at 250V 50Hz

THIRD ANGLE PROJECTION



This document is proprietary to CORCOM INC. and is not to be reproduced nor used for manufacturing purposes except on CORCOM'S order or prior written consent.



844 E. ROCKLAND RD. LIBERVILLE IL 60048

RFI FILTER

CAD FILE: cde\prt\cd\F7739		DRG. NO.	REV.
SCALE: .45:1	DATE: 2-12-96	12FCD10	00
DRW. BY: MS	ORIG: MS		