



Chipsmall Limited consists of a professional team with an average of over 10 year of expertise in the distribution of electronic components. Based in Hongkong, we have already established firm and mutual-benefit business relationships with customers from,Europe,America and south Asia,supplying obsolete and hard-to-find components to meet their specific needs.

With the principle of "Quality Parts,Customers Priority,Honest Operation,and Considerate Service",our business mainly focus on the distribution of electronic components. Line cards we deal with include Microchip,ALPS,ROHM,Xilinx,Pulse,ON,Everlight and Freescale. Main products comprise IC,Modules,Potentiometer,IC Socket,Relay,Connector.Our parts cover such applications as commercial,industrial, and automotives areas.

We are looking forward to setting up business relationship with you and hope to provide you with the best service and solution. Let us make a better world for our industry!



Contact us

Tel: +86-755-8981 8866 Fax: +86-755-8427 6832

Email & Skype: info@chipsmall.com Web: www.chipsmall.com

Address: A1208, Overseas Decoration Building, #122 Zhenhua RD., Futian, Shenzhen, China

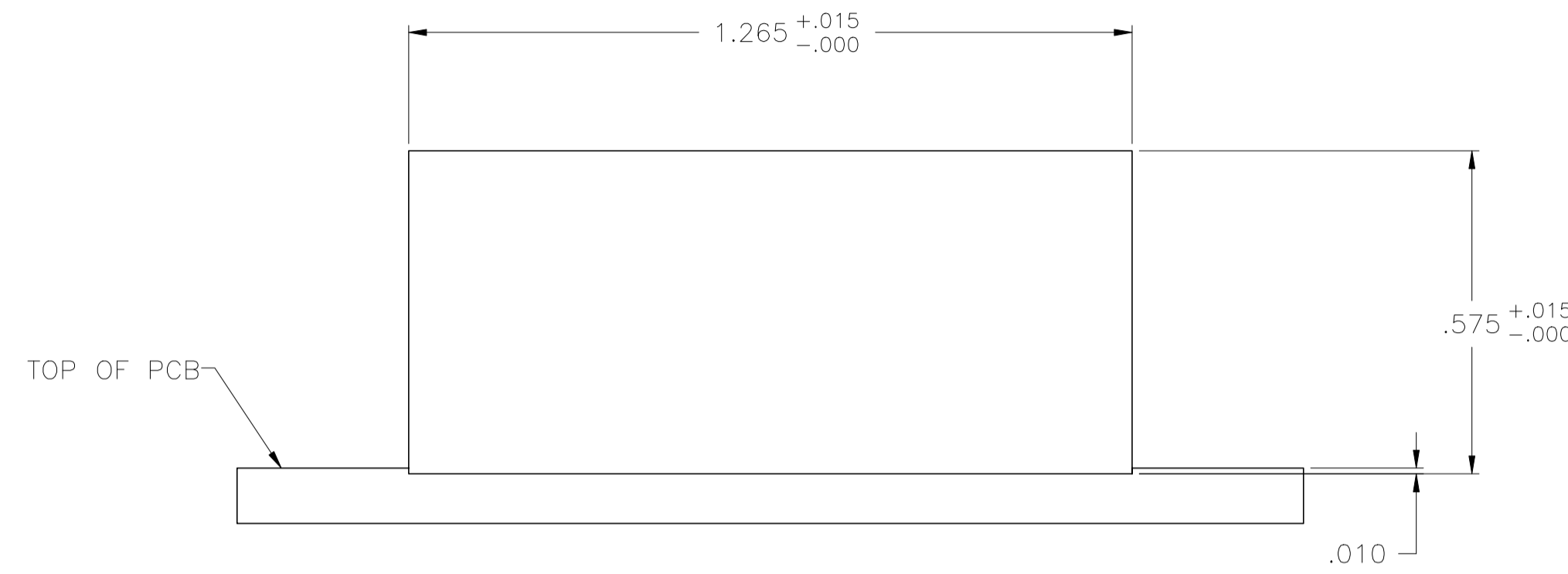
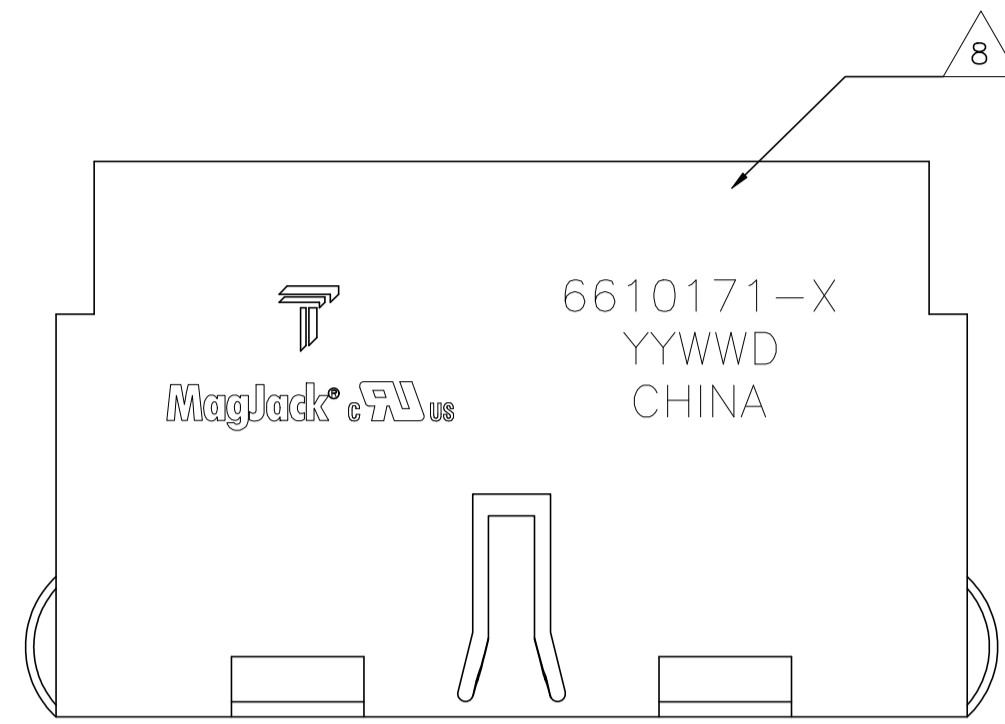


THIS DRAWING AND THE SUBJECT MATTER SHOWN THEREON ARE CONFIDENTIAL AND THE PROPERTY OF BEL/STEWART/TRP CONNECTOR AND SHALL NOT BE REPRODUCED, COPIED, OR USED IN ANY MANNER WITHOUT THE WRITTEN CONSENT OF TRP CONNECTOR.

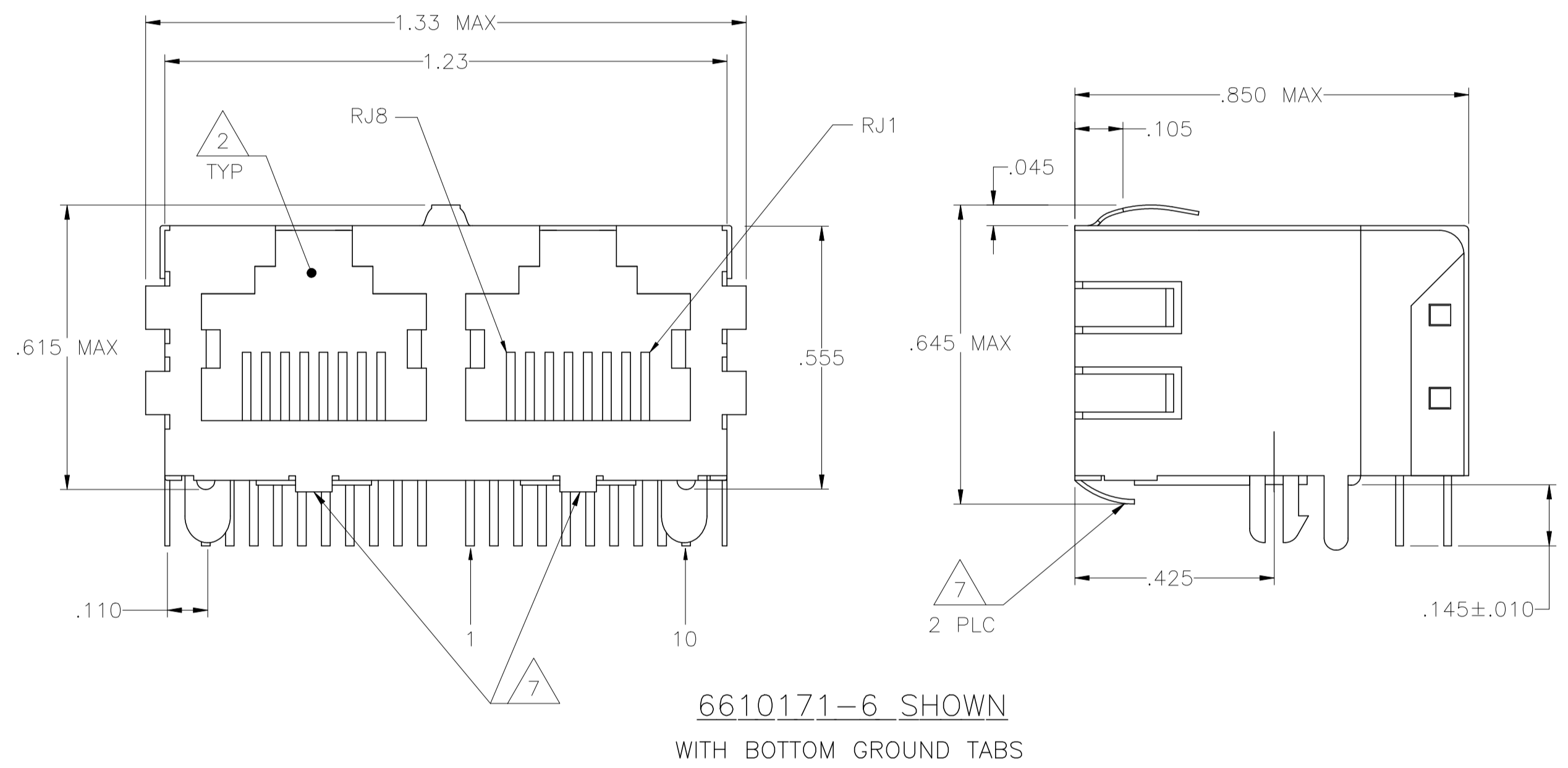
PRODUCT MAY BE PROTECTED BY ONE OR MORE OF THE FOLLOWING US PATENTS:
 5736910 5939955 6425781 6428361 6554638 6840817 7123117
 7429195 7717749 7808751 6217391 6149050 7924130

REVISIONS				
P	LYR	DESCRIPTION	DATE	APVD
D		EC-1411035 COMPANY LOGO CHANGE	07JAN2015	DZ TL

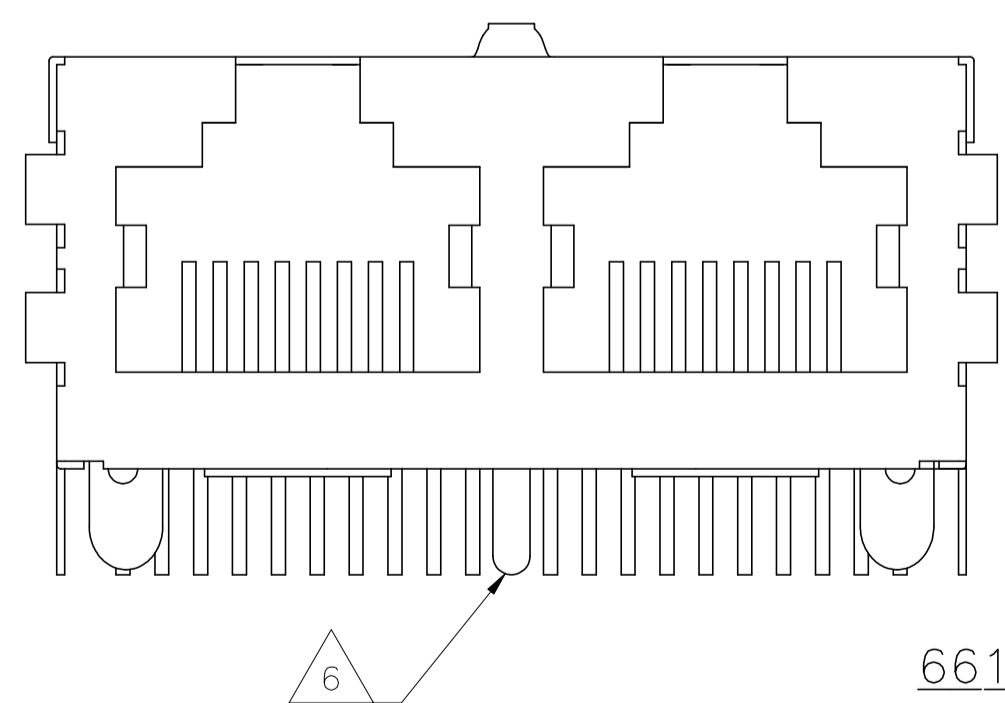
MECHANICAL:



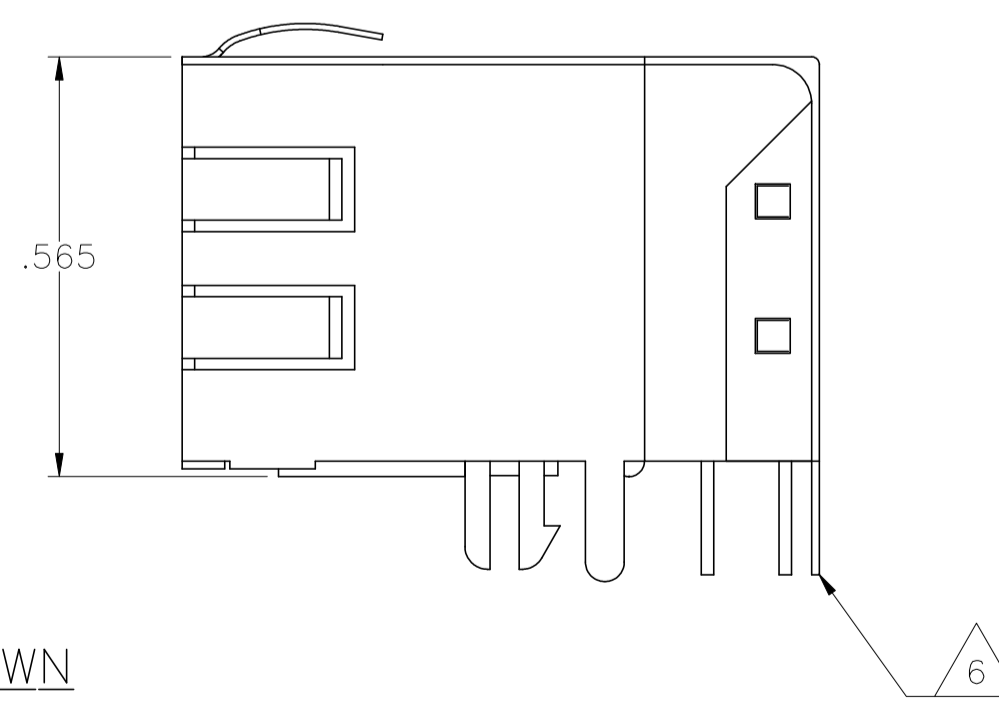
1X2 SUGGESTED PANEL CUTOUT



6610171-6 SHOWN WITH BOTTOM GROUND TABS



6610171-5 SHOWN WITH REAR GROUND TAB



6610171-1 SHOWN NO BOTTOM GROUND TABS OR REAR GROUND TAB

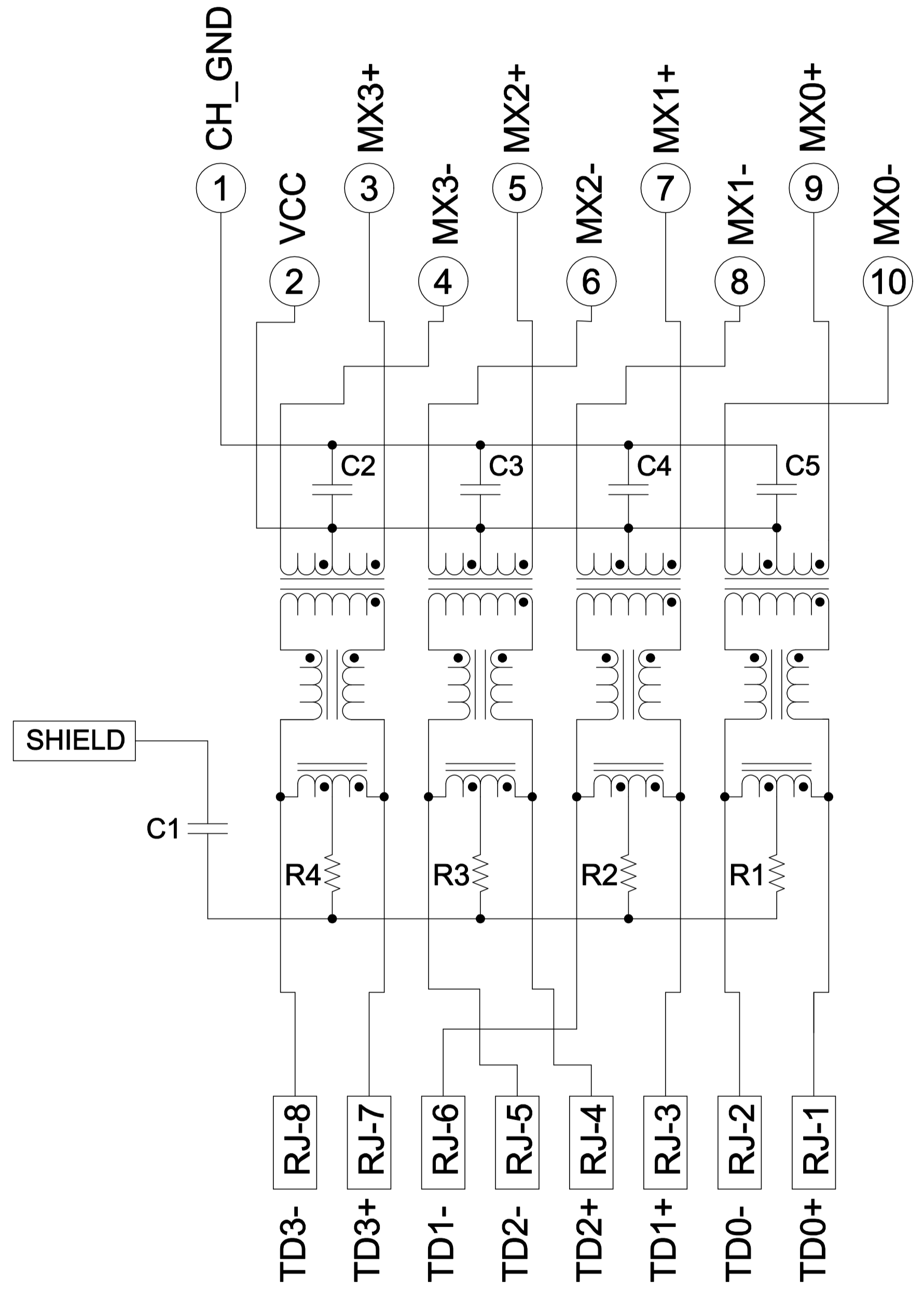
- 1 MATERIALS:
 -HOUSING - THERMOPLASTIC PET POLYESTER FLAMMABILITY RATING UL 94V-0.
 -SHIELD - 0.010" THICK, C26800 BRASS PREPLATED WITH 30μINCH MIN SEMI-BRIGHT NICKEL. SOLDER TABS POST DIPPED WITH 100μINCH MIN SAC SOLDER.
 -MOD JACK CONTACTS - 0.0157" X 0.018" PHOSPHOR BRONZE, 50μINCH MIN OVERALL NICKEL UNDERPLATE WITH SELECT 50μINCH MIN HARD GOLD FINISH PLATE.
 SOLDER TAILS WITH 100μINCH MIN MATTE TIN AND/OR SAC SOLDER DIP.
- 2 RJ45 JACK CAVITY CONFORMS TO FCC RULES AND REGULATIONS PART 68, SUB PART F.
- 3 MAGNETICS
 -IMPEDANCE: 100 OHMS
 -TURNS RATIO (CHIP: CABLE): 1:1 ALL FOUR PAIRS
 -OPEN CIRCUIT INDUCTANCE (OCL): 350μH MIN @100kHz, 0.1VRMS, 8mADC BIAS FROM 0°C TO 70°C, ALL FOUR PAIRS
 -ALL FOUR PAIRS BI-DIRECTIONAL
 -PERFORMANCE @ 25°C:
 INSERTION LOSS (IL): 1.1dB MAX FROM 0.5MHz TO 100MHz
 RETURN LOSS (RL): 18dB MIN FROM 0.5MHz TO 40MHz
 12-20LOG(f/80)dB MIN FROM 40.1MHz TO 100MHz
 CROSSTALK ATTENUATION: 35dB MIN FROM 0.5MHz TO 40MHz
 33-20xLOG(f/50)dB MIN FROM 40.1MHz TO 100MHz
 COMMON MODE REJECTION RATIO (CMRR): 30dB MIN FROM 0.5MHz TO 100MHz
 -ISOLATION VOLTAGE: COMPLIES WITH IEEE802.3 2002, PARA 40.6.1.1, ITEM b.
4. OPERATING TEMPERATURE: FROM 0° TO +70°C.
- 5 INDICATED MAGNETIC CONNECTIONS ARE SYMMETRICAL TO SUPPORT AUTO-MDI/MDIX.
- 6 REAR GROUND TAB ON 6610171-5 ONLY.
- 7 BOTTOM GROUND TABS ON 6610171-6 ONLY.
- 8 TRP CONNECTOR LOGO, PART NUMBER, DATE CODE, COUNTRY OF ORIGIN AND AGENCY APPROVAL MARKING IN APPROXIMATE LOCATION SHOWN.
9. THESE PARTS ARE RECOMMENDED FOR WAVE SOLDERING PROCESS, PEAK WAVE SOLDERING TEMPERATURE IS 265°C MAX, 10 SECONDS MAX.

2	0	6610171-6
0	1	6610171-5
0	0	6610171-1
7	6	PART NUMBER

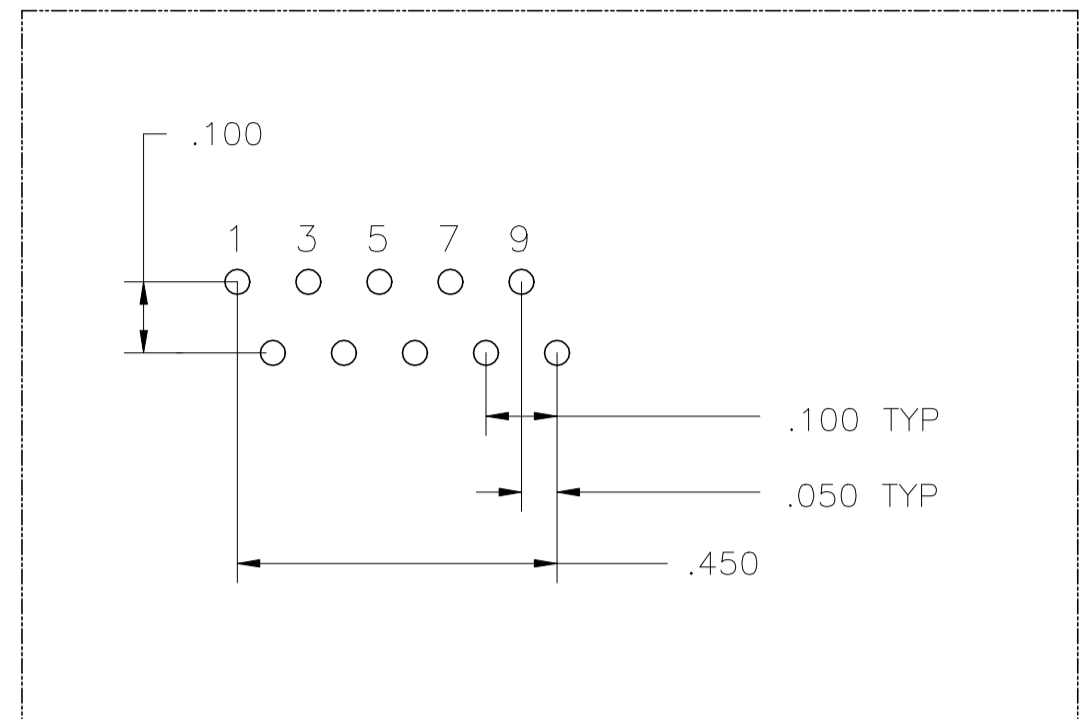
THIS DRAWING IS A CONTROLLED DOCUMENT.		DWN G. ATTADIA - DOCK5 CHK D. FAROLE APVD D. FAROLE 16MAR2005		trp CONNECTOR DONGGUAN CHINA	
DIMENSIONS: INCHES		TOLERANCES UNLESS OTHERWISE SPECIFIED:		MODEL NAME	
0 PLC ± -		1 PLC ± -		DESC 1X2 7G05 GIGABIT TAB UP W/O LED	
2 PLC ± .010		3 PLC ± .005		SIZE CAGE CODE DRAWING NO	
4 PLC ± -		ANGLES ± -		A1 C-6610171	
PRODUCT SPEC 108-2100		APPLICATION SPEC -		RESTRICTED TO	
CUSTOMER DRAWING		SCALE NTS		SHEET 1 OF 2 REV D	

ELECTRICAL:

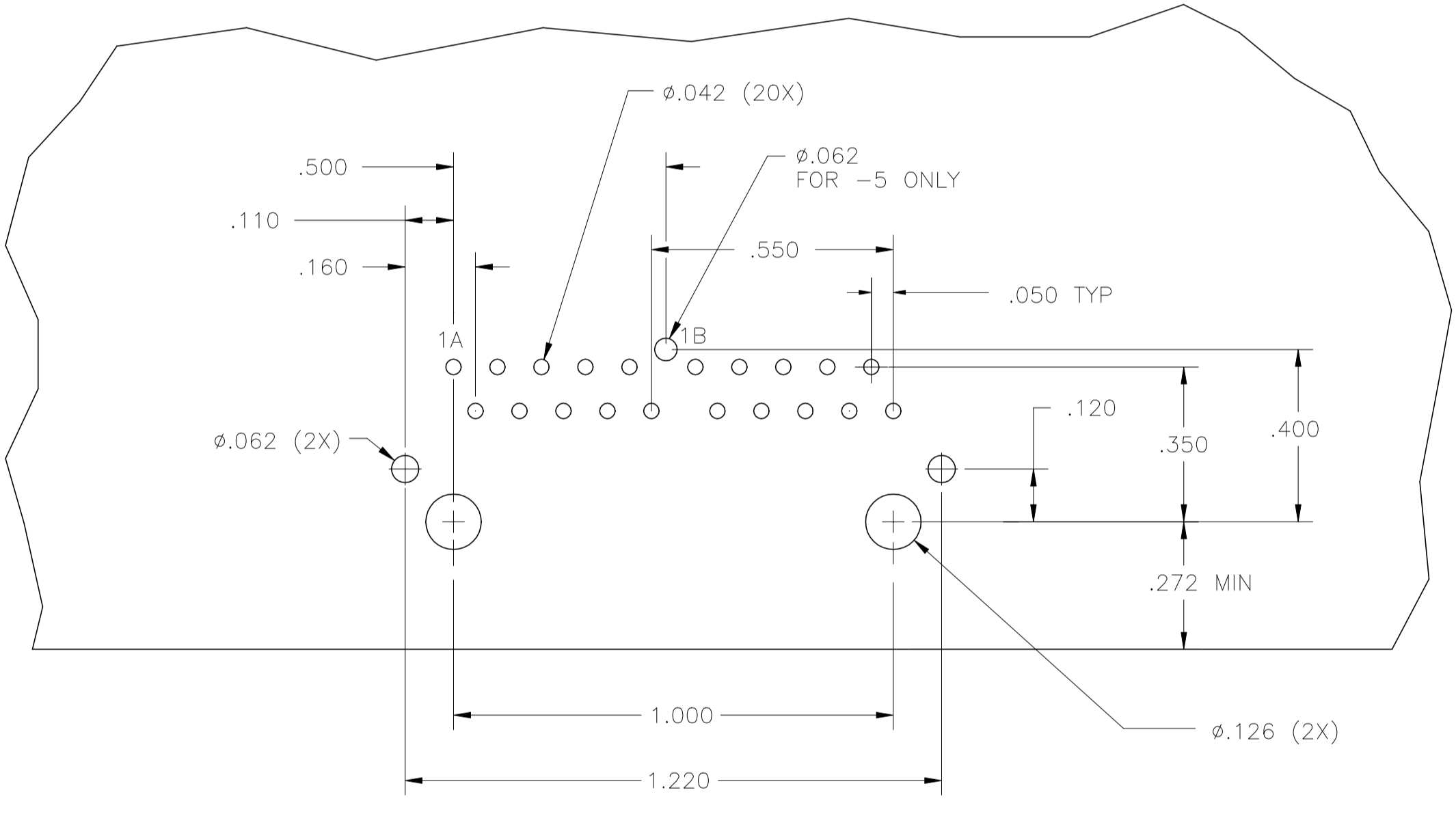
7G05_GIGABIT_SCHEMATIC  




C1 = 1000 pF, 2kV CAPACITOR
 R1-R4 = 75 OHMS, 1/16W RESISTORS
 C2-C5 = 0.1uF, 50V, X7R CAPACITORS



PIN DESIGNATIONS



SUGGESTED PCB LAYOUT
 (Component Side)

THIS DRAWING IS A CONTROLLED DOCUMENT.		OWN G. ATTADIA - DOCK5	16MAR2005		DONGGUAN CHINA
DIMENSIONS: INCHES		CHK D. FAROLE	16MAR2005		
TOLERANCES UNLESS OTHERWISE SPECIFIED:		APVD D. FAROLE	16MAR2005	DESC 1X2 7G05 GIGABIT TAB UP W/O LED	
0 PLC	± -	MODEL NAME		SIZE	
1 PLC	± -	MAGJACK GANG		CAGE CODE	DRAWING NO
2 PLC	± .010	NON-POE		A1	C=6610171
3 PLC	± .005	CUSTOMER DRAWING		SCALE	SHEET
4 PLC	± -	108-2100		NTS	2 OF 2
ANGLES	± -	APPLICATION SPEC		REV	D