



Chipsmall Limited consists of a professional team with an average of over 10 year of expertise in the distribution of electronic components. Based in Hongkong, we have already established firm and mutual-benefit business relationships with customers from,Europe,America and south Asia,supplying obsolete and hard-to-find components to meet their specific needs.

With the principle of “Quality Parts,Customers Priority,Honest Operation,and Considerate Service”,our business mainly focus on the distribution of electronic components. Line cards we deal with include Microchip,ALPS,ROHM,Xilinx,Pulse,ON,Everlight and Freescale. Main products comprise IC,Modules,Potentiometer,IC Socket,Relay,Connector.Our parts cover such applications as commercial,industrial, and automotives areas.

We are looking forward to setting up business relationship with you and hope to provide you with the best service and solution. Let us make a better world for our industry!



Contact us

Tel: +86-755-8981 8866 Fax: +86-755-8427 6832

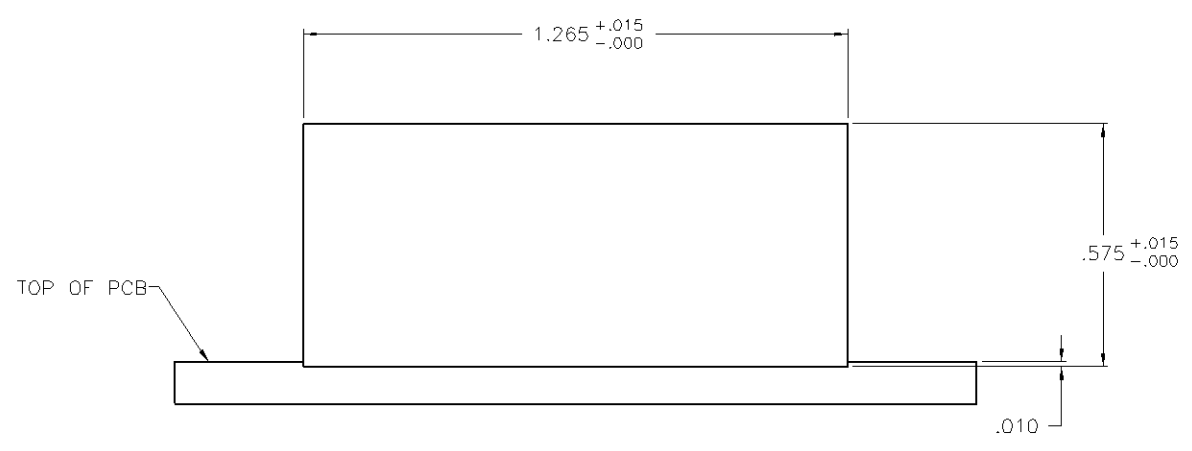
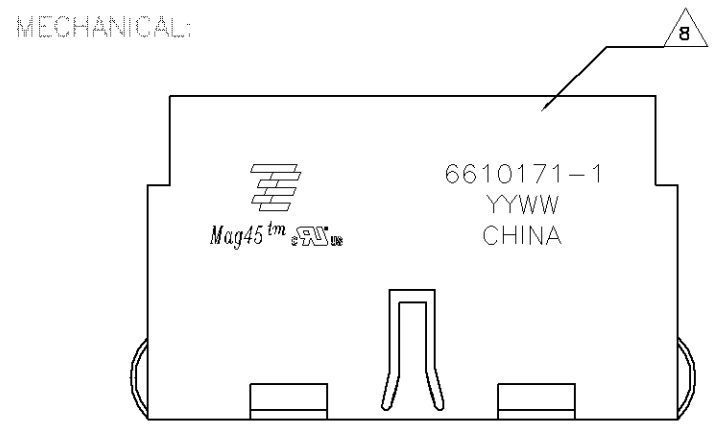
Email & Skype: info@chipsmall.com Web: www.chipsmall.com

Address: A1208, Overseas Decoration Building, #122 Zhenhua RD., Futian, Shenzhen, China



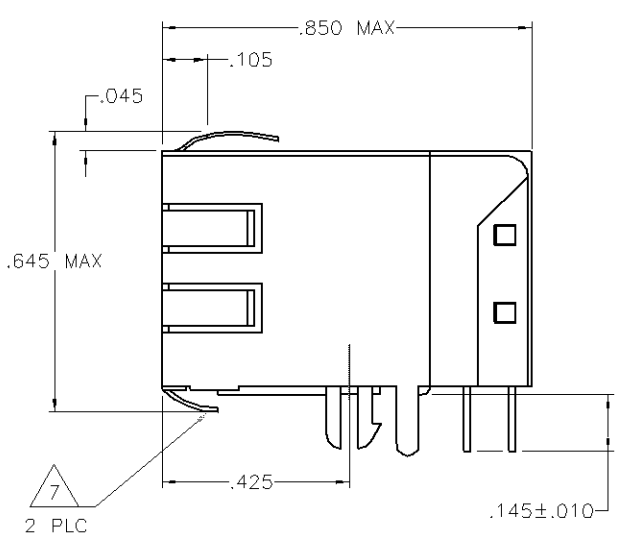
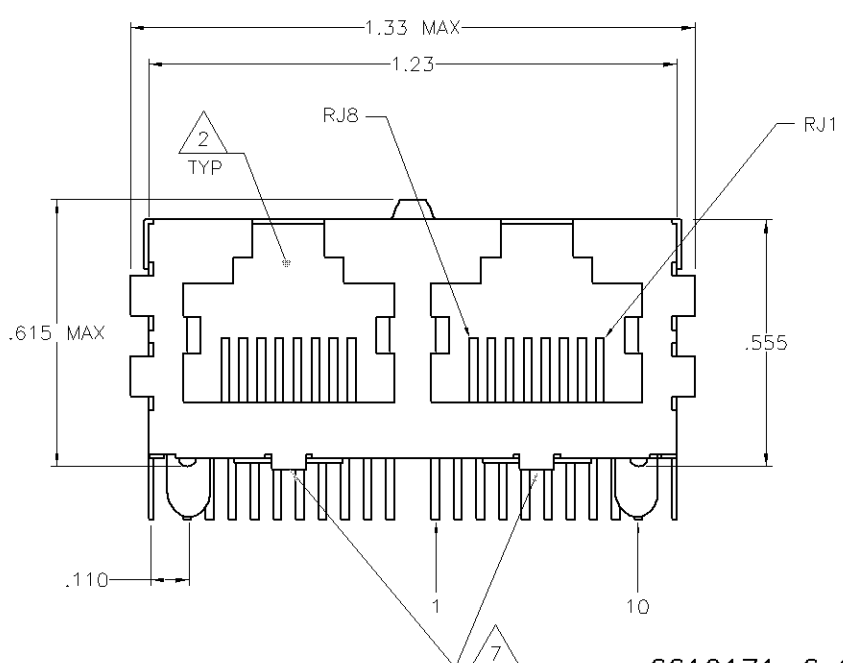
THIS DRAWING IS UNPUBLISHED. RELEASED FOR PUBLICATION
 BY TYCO ELECTRONICS CORPORATION. ALL RIGHTS RESERVED.

LOC	QTY	REVISIONS			
#	LN	DESCRIPTION	DATE	BY	APP'D
AA	22				
B		REV PER ECO-08-012892	14APR2008	DC	TX

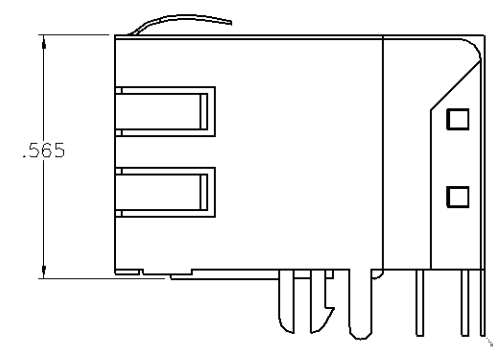
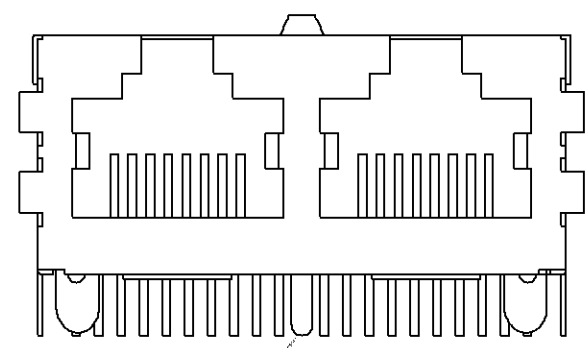


- 1 MATERIALS:
 - HOUSING - THERMOPLASTIC PET POLYESTER FLAMMABILITY RATING UL 94V-0.
 - SHIELD - 0.010" THICK, C26800 BRASS PREPLATED WITH 30μINCH MIN SEMI-BRIGHT NICKEL. SOLDER TABS POST DIPPED WITH 100μINCH MIN SAC SOLDER.
 - MOD JACK CONTACTS - 0.0157" X 0.018" PHOSPHOR BRONZE, 50μINCH MIN OVERALL NICKEL UNDERPLATE WITH SELECT 50μINCH MIN HARD GOLD FINISH PLATE. SOLDERTAILS WITH 100μINCH MIN MATTE TIN AND/OR SAC SOLDER DIP.
- 2 RJ45 JACK CAVITY CONFORMS TO FCC RULES AND REGULATIONS PART 68, SUB PART F.
- 3 MAGNETICS
 - IMPEDANCE: 100 OHMS
 - TURNS RATIO (CHIP: CABLE): 1:1 ALL FOUR PAIRS
 - OPEN CIRCUIT INDUCTANCE (OCL): 350μH MIN @100kHz, 0.1VRMS,
 - 8mADC BIAS FROM 0°C TO 70°C, ALL FOUR PAIRS
 - ALL FOUR PAIRS BI-DIRECTIONAL
 - PERFORMANCE @ 25°C:
 - INSERTION LOSS (IL): 1.1dB MAX FROM 0.5MHz TO 100MHz
 - RETURN LOSS (RL): 18dB MIN FROM 0.5MHz TO 40MHz
 - 12-20LOG(f/80)dB MIN FROM 40.1MHz TO 100MHz
 - CROSSTALK ATTENUATION: 35dB MIN FROM 0.5MHz TO 40MHz
 - 33-20*LOG(f/50)dB MIN FROM 40.1MHz TO 100MHz
 - COMMON MODE REJECTION RATIO (CMRR): 30dB MIN FROM 0.5MHz TO 100MHz
 - ISOLATION VOLTAGE: COMPLIES WITH IEEE802.3 2002, PARA 40.6.1.1, ITEM b.
- 4. OPERATING TEMPERATURE: FROM 0° TO +70°C.
- 5 INDICATED MAGNETIC CONNECTIONS ARE SYMMETRICAL TO SUPPORT AUTO-MDI/MDIX.
- 6 REAR GROUND TAB ON 6610171-5 ONLY.
- 7 BOTTOM GROUND TABS ON 6610171-6 ONLY.
- 8 TYCO ELECTRONICS LOGO, PART NUMBER, DATE CODE, COUNTRY OF ORIGIN AND AGENCY APPROVAL MARKING IN APPROXIMATE LOCATION SHOWN.
- 9. THESE PARTS ARE RECOMMENDED FOR WAVE SOLDERING PROCESS, PEAK WAVE SOLDERING TEMPERATURE IS 265°C MAX, 10 SECONDS MAX.

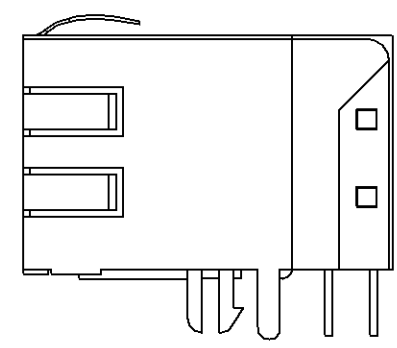
1X2 SUGGESTED PANEL CUTOUT



6610171-6 SHOWN WITH BOTTOM GROUND TABS



6610171-5 SHOWN WITH REAR GROUND TAB



6610171-1 SHOWN NO BOTTOM GROUND TABS OR REAR GROUND TAB

2	0	6610171-6
0	1	6610171-5
0	0	6610171-1
△ BOTTOM PANEL GND TAB	△ REAR PCB GND TAB	PART NUMBER

THIS DRAWING IS A CONTROLLED DOCUMENT.

DESIGNED BY: G. ATTAGIA - DOCKE	DATE: 10MAR2008	DESIGNED BY: D. FAROLE	DATE: 10MAR2008
PRODUCT SPEC: 108-2100		APPLICATION SPEC: -	
MATERIAL: -		WEIGHT: -	
CUSTOMER DRAWING		SCALE: 4:1	

1X2 MAG45(TN) MODULAR JACK, 7G4 SCHEMATIC, 7G05 GIGABIT ETHERNET CIRCUIT (10 PIN HORIZ), SHIELDED, WITH OPTIONAL GROUND TABS, NO LEDS

SIZE: A1 GAGE CODE: 00779 DRAWING NO: 6610171

RESTRICTED TO: -

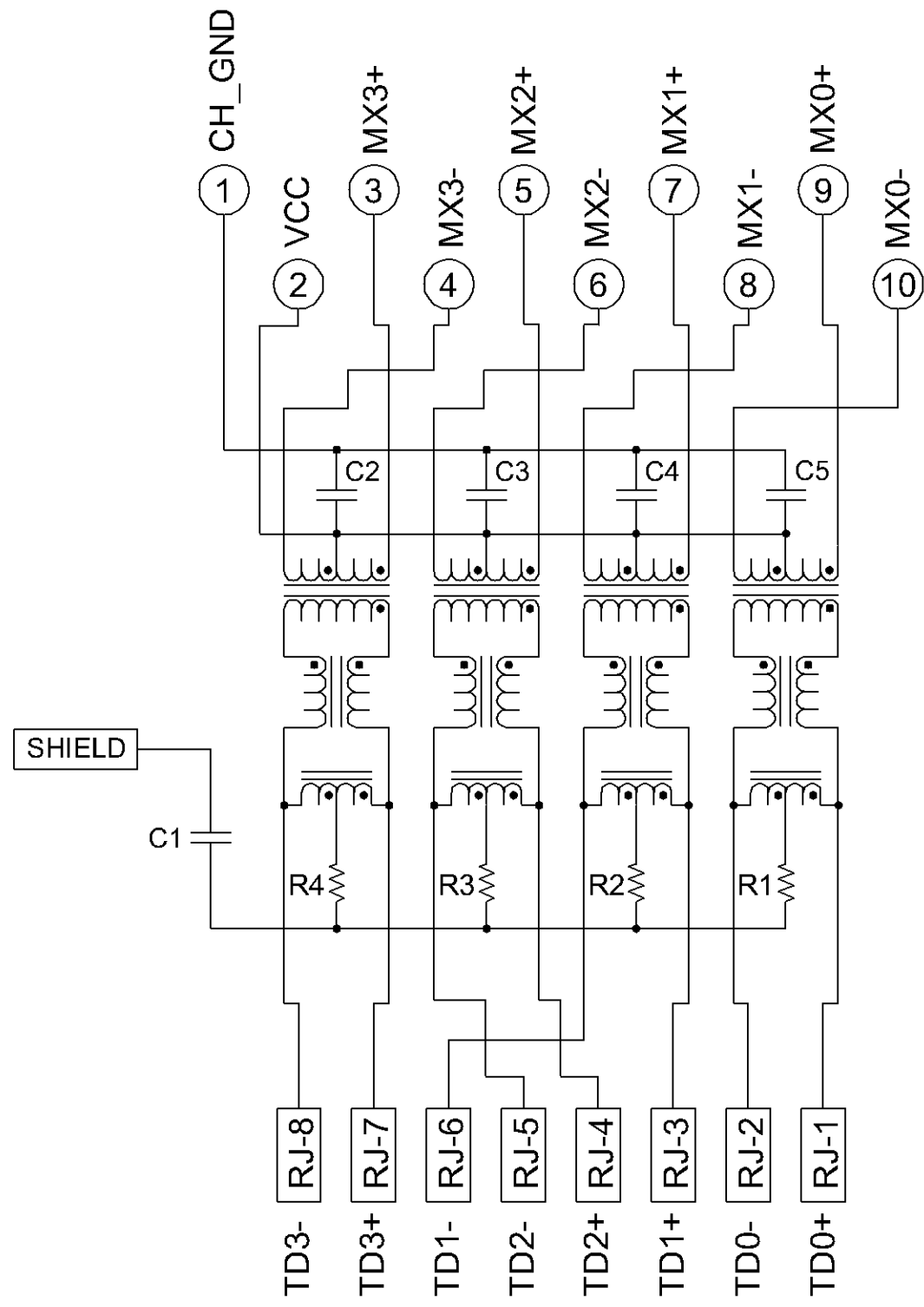
SHIT 1 OF 2 REV B

THIS DRAWING IS UNPUBLISHED. RELEASED FOR PUBLICATION
 COPYRIGHT © BY TYCO ELECTRONICS CORPORATION. ALL RIGHTS RESERVED.

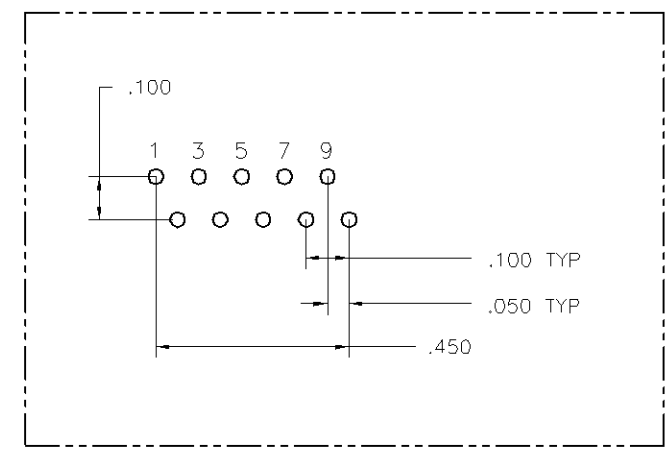
LOC		REV		REVISIONS			
AA	22	#	LN	DESCRIPTION	DATE	BY	APPD
		-	-	SEE SHEET 1	-	-	-

ELECTRICAL:

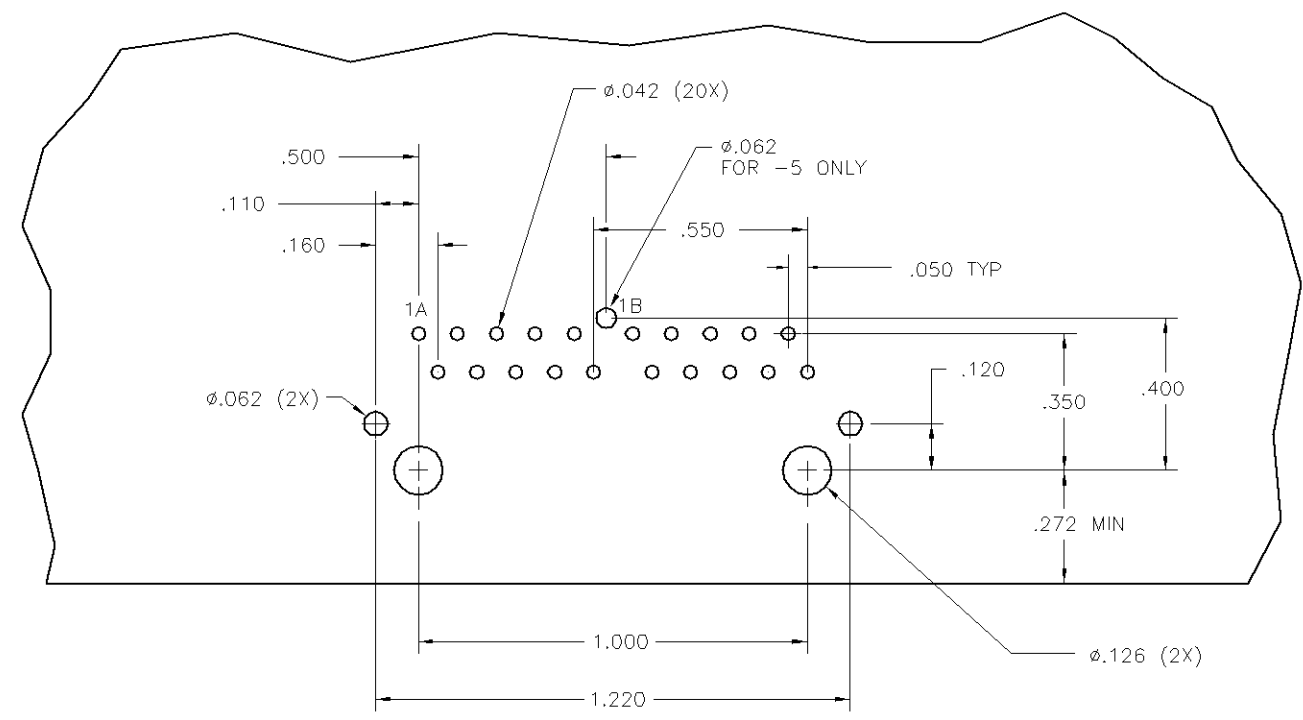
7G05 GIGABIT SCHEMATIC 3 5



C1 = 1000 pF, 2kV CAPACITOR
 R1-R4 = 75 OHMS, 1/16W RESISTORS
 C2-C5 = 0.1uF, 50V, X7R CAPACITORS



PIN DESIGNATIONS



SUGGESTED PCB LAYOUT
 (Component Side)

THIS DRAWING IS A CONTROLLED DOCUMENT.		REV: G. ATTAQIA - 10MAR2005	DATE: 10MAR2005	Tyco Electronics Corporation Harrisburg, PA 17105-3608	
DIMENSIONS: INCHES		DESIGN: D. FAROLE	DATE: 10MAR2005	NAME: 1X2 MAG45(TN) MODULAR JACK, 7G4 SCHEMATIC, 7G05 GIGABIT ETHERNET CIRCUIT (10 PIN HORIZ), SHIELDED, WITH OPTIONAL GROUND TABS, NO LEADS	
TOLERANCES UNLESS OTHERWISE SPECIFIED:		PRODUCT SPEC: 108-2100	APPLICATION SPEC:	SIZE: A1	GAZE CODE: 00779
0 P.L.C. ± -	1 P.L.C. ± .010	DRAWING NO: 6610171		RESTRICTED TO:	
2 P.L.C. ± .005	3 P.L.C. ± .005	MATERIAL: SEE SHEET 1		MATERIAL: SEE SHEET 1	
4 P.L.C. ± -	ANGLES: ± -	CUSTOMER DRAWING		SCALE: 4:1 SHEET 2 OF 2 REV B	