



Chipsmall Limited consists of a professional team with an average of over 10 year of expertise in the distribution of electronic components. Based in Hongkong, we have already established firm and mutual-benefit business relationships with customers from,Europe,America and south Asia,supplying obsolete and hard-to-find components to meet their specific needs.

With the principle of “Quality Parts,Customers Priority,Honest Operation,and Considerate Service”,our business mainly focus on the distribution of electronic components. Line cards we deal with include Microchip,ALPS,ROHM,Xilinx,Pulse,ON,Everlight and Freescale. Main products comprise IC,Modules,Potentiometer,IC Socket,Relay,Connector.Our parts cover such applications as commercial,industrial, and automotives areas.

We are looking forward to setting up business relationship with you and hope to provide you with the best service and solution. Let us make a better world for our industry!



## Contact us

Tel: +86-755-8981 8866 Fax: +86-755-8427 6832

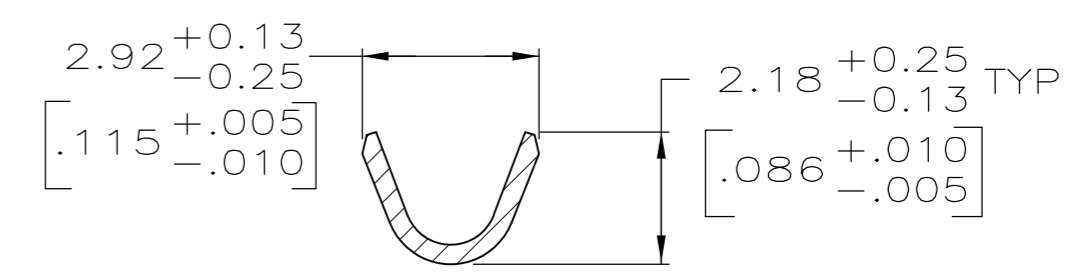
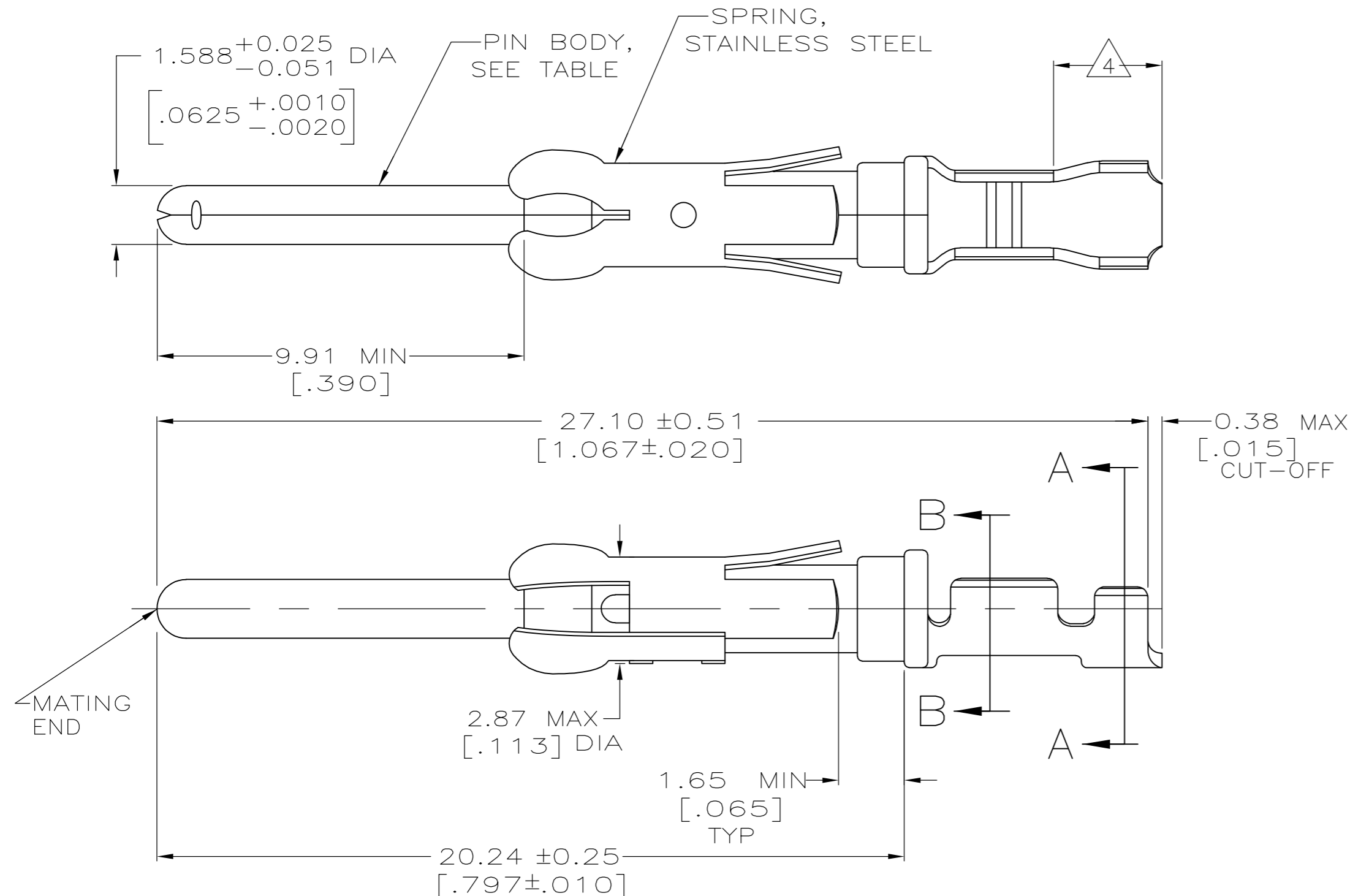
Email & Skype: info@chipsmall.com Web: www.chipsmall.com

Address: A1208, Overseas Decoration Building, #122 Zhenhua RD., Futian, Shenzhen, China

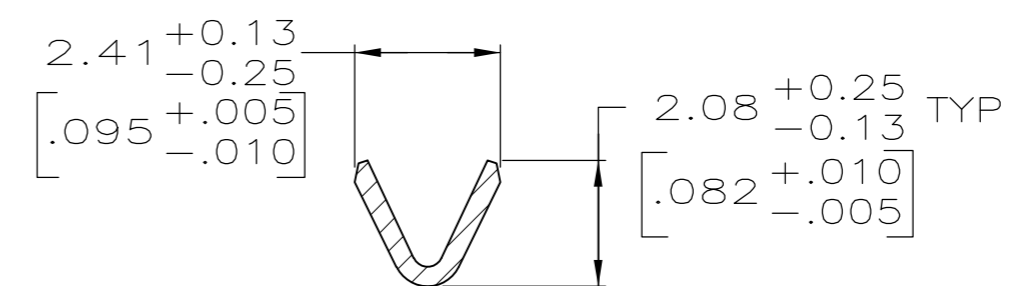


THIS DRAWING IS UNPUBLISHED. RELEASED FOR PUBLICATION  
 © COPYRIGHT - By - ALL RIGHTS RESERVED.

LOC	DIST	REVISIONS			
P	LTR	DESCRIPTION	DATE	DWN	APVD
FT	47	H	REVISED PER ECO-12-012316	05JUL12	KH MZ



SECTION A-A



SECTION B-B

- 1 0.76µm [.000030] MIN PRECIOUS METAL PLATE ON MATING END FOR A LENGTH OF 5.08 [.200] MIN WITH 1.27µm [.000050] MIN MATTE TIN PLATE IN WIRE CRIMP AREA, BOTH OVER 1.27µm [.000050] MIN NICKEL PLATE. CONFORMS TO THE REQUIREMENTS OF TYCO ELECTRONICS PRODUCT SPEC 108-10042, BASED ON EIA/ECA-364-1000.01 ( CONTROLLED ENVIRONMENT APPLICATIONS ),
- 2 0.76µm [.000030] MIN PRECIOUS METAL PLATE ON MATING END FOR A LENGTH OF 5.08 [.200] MIN WITH A UNIFORM GRADIENT TO 0.25µm [.000010] MIN ON REMAINDER, OVER 1.27µm [.000050] MIN NICKEL PLATE. GOLD FLASH ALL OVER. CONFORMS TO THE REQUIREMENTS OF TYCO ELECTRONICS PRODUCT SPEC 108-10042, BASED ON EIA/ECA-364-1000.01 ( CONTROLLED ENVIRONMENT APPLICATIONS ).
- 3 0.38µm [.000015] MIN GOLD PER MIL-G-45204 ON MATING END FOR A LENGTH OF 5.08 [.200] MIN 1.27µm [.000050] MIN MATTE TIN PLATE IN WIRE CRIMP AREA, BOTH OVER 1.27µm [.000050] MIN NICKEL PER QQ-N-290.
- 4 GOLD PLATING NOT REQUIRED IN THIS AREA.
- 5 1.27µm [.000050] MIN GOLD PER MIL-G-45204 ON MATING END FOR A LENGTH OF 5.08 [.200] MIN WITH GOLD FLASH ON THE REMAINDER OVER 1.90µm [.000075] MIN NICKEL PER QQ-N-290.
- 6 1.27 µm [.000050] MIN TIN-LEAD PER MIL-T-10727 OVER 1.27 µm [.000050] MIN NICKEL PER QQ-N-290.
- 7 WIRE RANGE 24-20 AWG.
- 8 INSULATION RANGE 1.02[.040]-2.03[.080] DIA.
- 9 0.38 µm [.000015] MIN GOLD PER MIL-G-45204 ON MATING END FOR A LENGTH OF 5.08 [.200] MIN, 1.27µm [.000050] MIN TIN-LEAD PER MIL-T-10727 FOR A LENGTH OF 5.69 [.224] MIN ON OPPOSITE END, BOTH OVER 1.27µm [.000050] MIN NICKEL PER QQ-N-290 ON ENTIRE CONTACT.
- 10 1.27µm [.000050] MIN TIN PER MIL-T-10727 OVER 1.27µm [.000050] MIN NICKEL PER QQ-N-290.

SMALL PACK	10	BRASS	2-66102-5	1-66103-9
STANDARD	10	BRASS	2-66102-5	1-66103-8
SMALL PACK	1	BRASS	66102-4	1-66103-7
SMALL PACK	3	BRASS	66102-3	1-66103-6
SMALL PACK	6	BRASS	66102-2	1-66103-5
SMALL PACK	2	BRASS	66102-1	1-66103-4
OBSOLETE	9	BRASS	2-66102-3	1-66103-3
OBSOLETE	1	PHOSPHOR BRONZE	2-66102-2	1-66103-2
OBSOLETE	6	PHOSPHOR BRONZE	2-66102-1	1-66103-1
STANDARD	1	BRASS	66102-4	66103-4
STANDARD	3	BRASS	66102-3	66103-3
STANDARD	6	BRASS	66102-2	66103-2
STANDARD	2	BRASS	66102-1	66103-1
PACKAGING TYPE	BODY FINISH	BODY MATERIAL	STRIP P/N REF	PART NO

THIS DRAWING IS A CONTROLLED DOCUMENT.

DIMENSIONS: MM [INCHES]	TOLERANCES UNLESS OTHERWISE SPECIFIED:	DWN 06/01/92	 TE Connectivity
	0 PLC ± -	L.SIPE 6-11-92	
	1 PLC ± -	CHK W.LENKER	
	2 PLC ± 0.13 [.005]	APVD G.STEINHAUER 7-7-92	
MATERIAL SEE CALLOUTS	FINISH SEE CALLOUTS	NAME	PIN ASSEMBLY, LOOSE PIECE, TYPE III+
		SIZE	A2
		CAGE CODE	00779
		DRAWING NO	C=66103
		RESTRICTED TO	-
		SCALE	8:1
		SHEET	1 of 1
		REV	H