



Chipsmall Limited consists of a professional team with an average of over 10 year of expertise in the distribution of electronic components. Based in Hongkong, we have already established firm and mutual-benefit business relationships with customers from,Europe,America and south Asia,supplying obsolete and hard-to-find components to meet their specific needs.

With the principle of “Quality Parts,Customers Priority,Honest Operation,and Considerate Service”,our business mainly focus on the distribution of electronic components. Line cards we deal with include Microchip,ALPS,ROHM,Xilinx,Pulse,ON,Everlight and Freescale. Main products comprise IC,Modules,Potentiometer,IC Socket,Relay,Connector.Our parts cover such applications as commercial,industrial, and automotives areas.

We are looking forward to setting up business relationship with you and hope to provide you with the best service and solution. Let us make a better world for our industry!



## Contact us

Tel: +86-755-8981 8866 Fax: +86-755-8427 6832

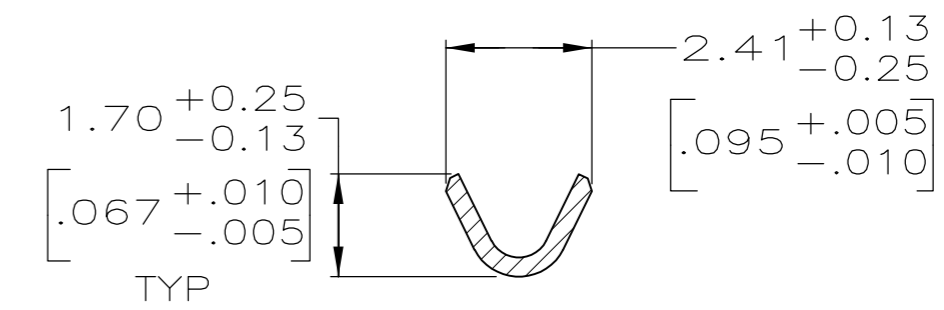
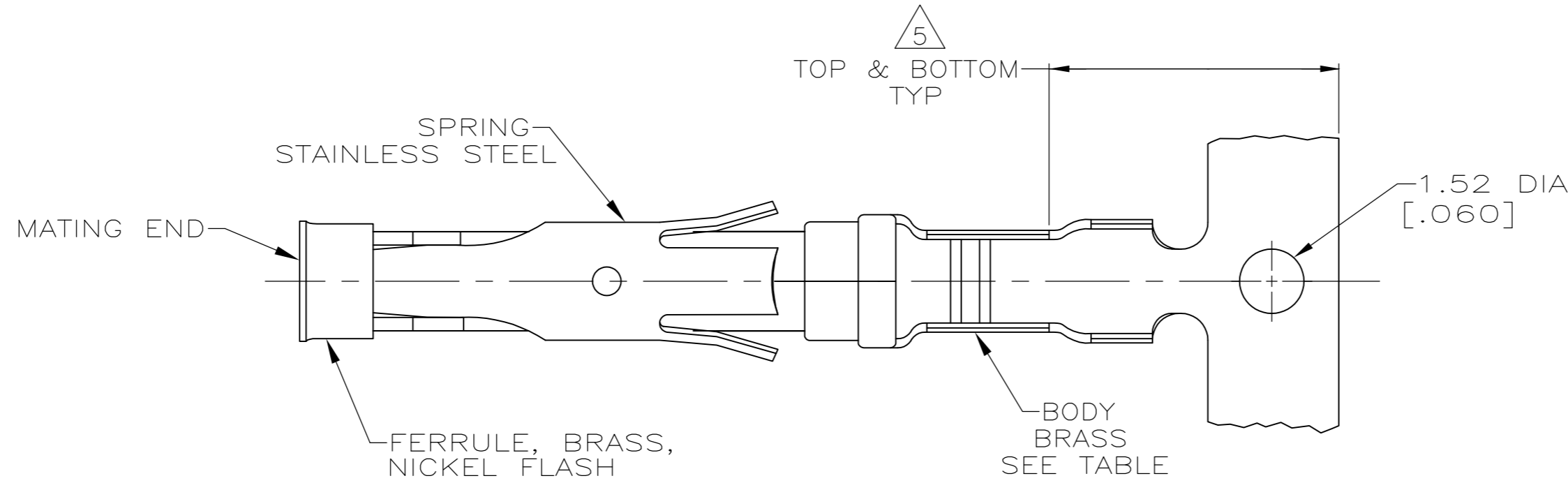
Email & Skype: info@chipsmall.com Web: www.chipsmall.com

Address: A1208, Overseas Decoration Building, #122 Zhenhua RD., Futian, Shenzhen, China

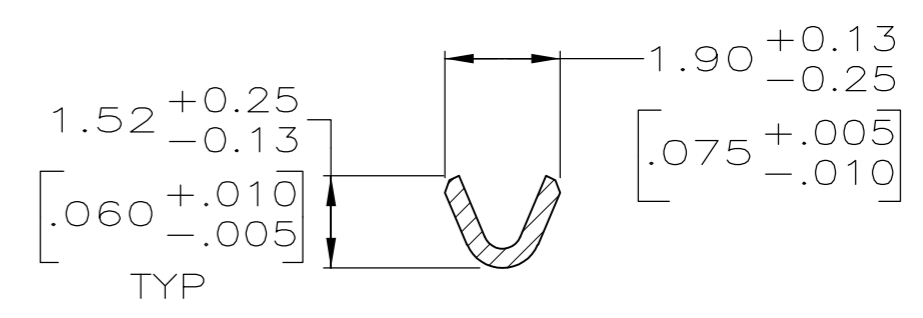
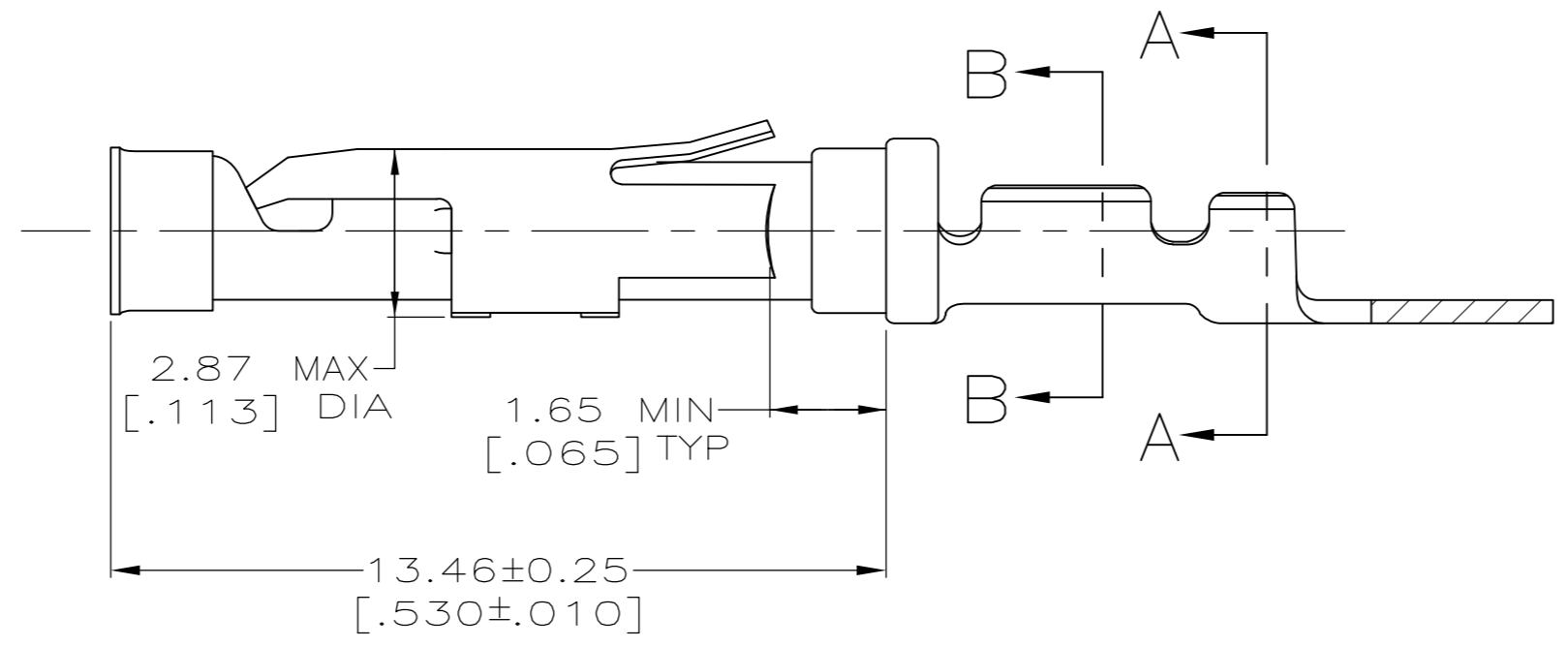
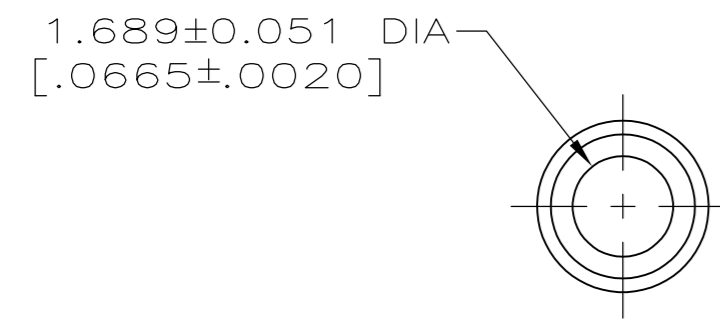


THIS DRAWING IS UNPUBLISHED. RELEASED FOR PUBLICATION  
 © COPYRIGHT - By - ALL RIGHTS RESERVED.

| LOC | DIST | REVISIONS |     |                           |         |     |      |
|-----|------|-----------|-----|---------------------------|---------|-----|------|
| FT  | 0    | P         | LTR | DESCRIPTION               | DATE    | DWN | APVD |
|     |      | AH        |     | REVISED PER ECO-12-012320 | 04JUL12 | KH  | MZ   |



SECTION A-A



SECTION B-B

- 1 0.76µm [.000030] MIN GOLD PER MIL-G-45204 ON MATING END FOR A LENGTH OF 5.08 [.200] MIN WITH 1.27µm [.000050] MIN MATTE TIN PLATE IN WIRE CRIMP AREA, BOTH OVER 0.76µm [.000030] MIN NICKEL PER QQ-N-290.
- 2 1.27µm [.000050] MIN TIN-LEAD PER MIL-T-10727 OVER 0.76µm [.000030] MIN NICKEL PER QQ-N-290.
- 3 0.76µm [.000030] MIN GOLD PER MIL-G-45204 ON MATING END FOR A LENGTH OF 5.08 [.200] MIN WITH A UNIFORM GRADIENT TO 0.25µm [.000010] MIN GOLD PER MIL-G-45204 ON THE REMAINDER OVER 0.76µm [.000030] MIN NICKEL PER QQ-N-290.
- 4 0.38µm [.000015] MIN GOLD PER MIL-G-45204 ON MATING END FOR A LENGTH OF 5.08 [.200] MIN WITH 1.27µm [.000050] MIN MATTE TIN PLATE IN WIRE CRIMP AREA, BOTH OVER 0.76µm [.000030] MIN NICKEL PER QQ-N-290.
- 5 GOLD PLATING NEED NOT APPEAR IN THIS AREA.
- 6 REVERSE REELED FOR MINI-APPLICATOR.
- 7 WIRE RANGE 26-24 AWG. INSULATION RANGE 0.89 [.035]-1.40 [.055].
- 8 0.38µm [.000015] MIN GOLD PER MIL-G-45204 ON MATING END FOR A LENGTH OF 5.08 [.200] MIN, 1.27µm [.000050] MIN TIN-LEAD PER MIL-T-10727 FOR A LENGTH OF 5.69 [.224] MIN ON OPPOSITE END, BOTH OVER 1.27µm [.000050] MIN NICKEL PER QQ-N-290 ON ENTIRE CONTACT.
- 9 1.27µm [.000050] MIN TIN PER MIL-T-10727 OVER 0.76µm [.000030] MIN NICKEL PER QQ-N-290.
- 10 0.38µm [.000015] MIN GOLD PER MIL-G-45204 ON MATING END FOR A LENGTH OF 5.08 [.200] MIN, 1.27µm [.000050] TIN PER MIL-T-10727 FOR A LENGTH OF 5.69 [.224] MIN ON OPPOSITE END, BOTH OVER 1.27µm [.000050] MIN NICKEL PER QQ-N-290 ON ENTIRE CONTACT.

| STANDARD | 9           | 1-66109-7       | 1-66108-7 |
|----------|-------------|-----------------|-----------|
| OBSOLETE | 6           | 10              | -         |
|          | 6           | 9               | 1-66108-6 |
|          | 6           | 8               | 1-66109-7 |
|          | 6           | 1               | 1-66108-5 |
|          | 6           | 4               | 1-66109-3 |
|          | 6           | 2               | 1-66108-4 |
|          | 6           | 3               | 66109-4   |
|          | 6           | 3               | 66108-8   |
|          | 6           | 4               | 66109-3   |
|          | 6           | 2               | 66108-7   |
|          | 6           | 1               | 66109-2   |
|          | 6           | 3               | 66108-6   |
|          | 6           | 2               | 66109-1   |
|          | 6           | 3               | 66108-5   |
| STANDARD | 1           | 66109-4         | 66108-4   |
| STANDARD | 4           | 66109-3         | 66108-3   |
| STANDARD | 2           | 66109-2         | 66108-2   |
| STANDARD | 3           | 66109-1         | 66108-1   |
| REELING  | BODY FINISH | LOOSE PIECE REF | PART NO   |

THIS DRAWING IS A CONTROLLED DOCUMENT.

|  |                                       |
|--|---------------------------------------|
| DWN R.SHIREY 08/06/91                  | <br>TE Connectivity                   |
| CHK R.STONE 9-19-91                    |                                       |
| APVD J.WESTMAN 9-20-81                 |                                       |
| PRODUCT SPEC                           |                                       |
| MATERIAL SEE CALLOUTS                  | NAME SOCKET ASSEMBLY, .062, TYPE III+ |
| TOLERANCES UNLESS OTHERWISE SPECIFIED: | SIZE A2                               |
| 0 PLC ± -                              | CAGE CODE 00779                       |
| 1 PLC ± -                              | DRAWING NO C=66108                    |
| 2 PLC ± 0.13 [.005]                    | RESTRICTED TO -                       |
| 3 PLC ± -                              | SCALE 8:1                             |
| 4 PLC ± -                              | SHEET 1 OF 1                          |
| ANGLES ± -                             | REV AH                                |
| FINISH SEE CALLOUTS                    | CUSTOMER DRAWING                      |