



Chipsmall Limited consists of a professional team with an average of over 10 year of expertise in the distribution of electronic components. Based in Hongkong, we have already established firm and mutual-benefit business relationships with customers from,Europe,America and south Asia,supplying obsolete and hard-to-find components to meet their specific needs.

With the principle of “Quality Parts,Customers Priority,Honest Operation,and Considerate Service”,our business mainly focus on the distribution of electronic components. Line cards we deal with include Microchip,ALPS,ROHM,Xilinx,Pulse,ON,Everlight and Freescale. Main products comprise IC,Modules,Potentiometer,IC Socket,Relay,Connector.Our parts cover such applications as commercial,industrial, and automotives areas.

We are looking forward to setting up business relationship with you and hope to provide you with the best service and solution. Let us make a better world for our industry!



## Contact us

Tel: +86-755-8981 8866 Fax: +86-755-8427 6832

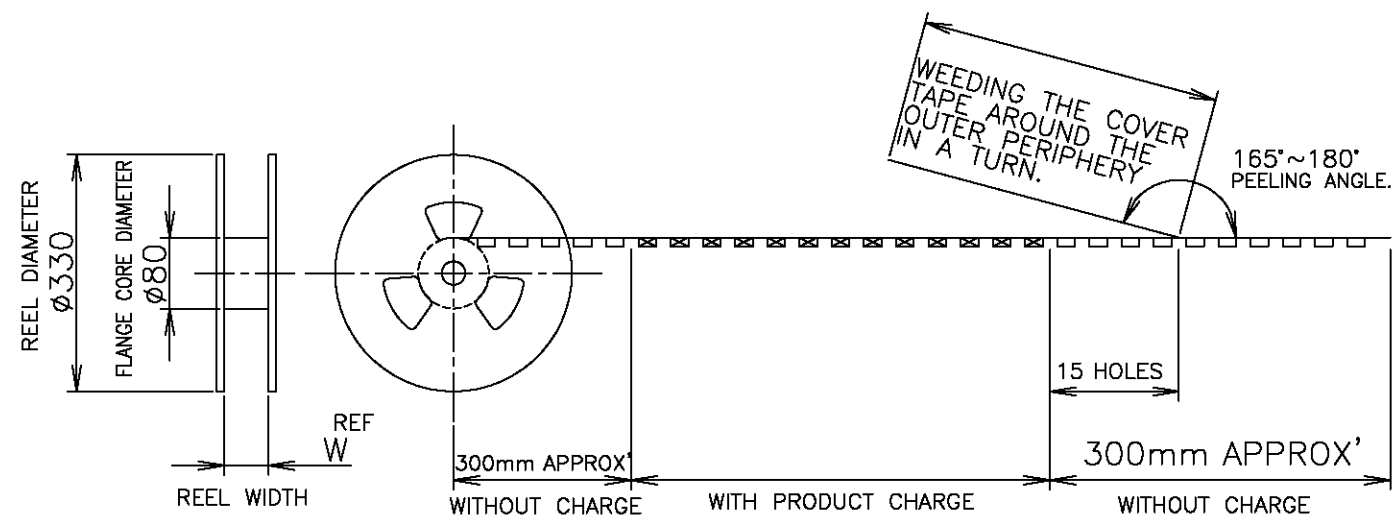
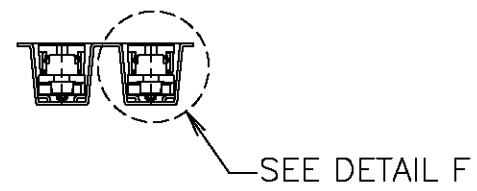
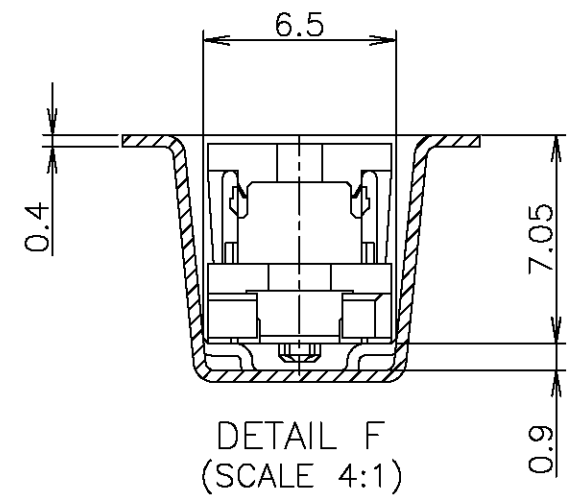
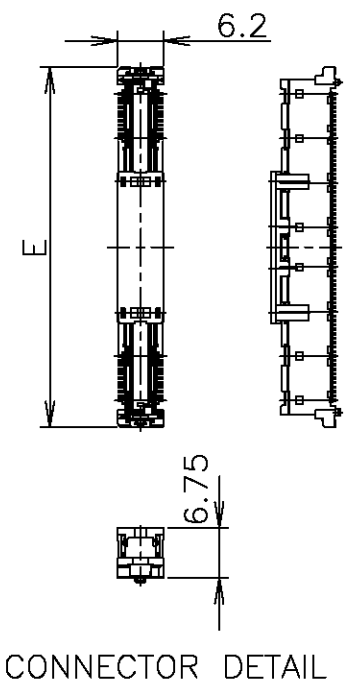
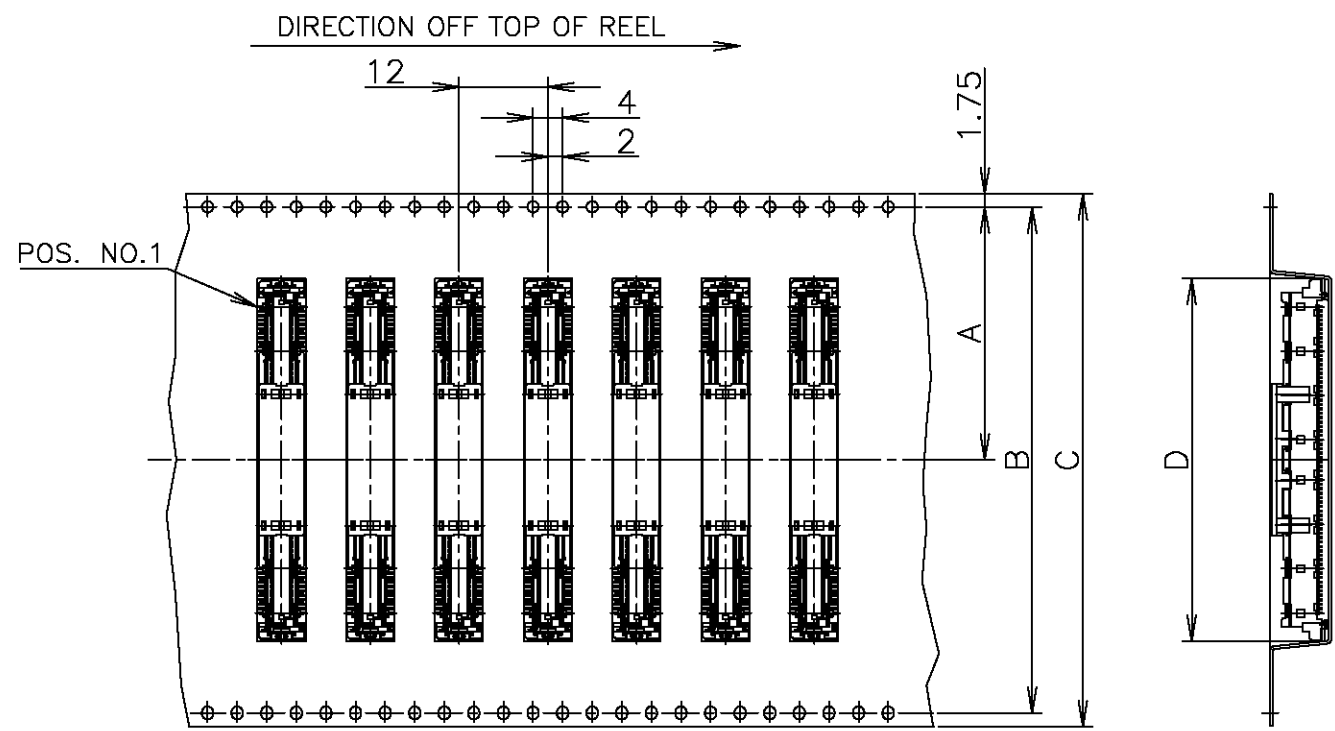
Email & Skype: info@chipsmall.com Web: www.chipsmall.com

Address: A1208, Overseas Decoration Building, #122 Zhenhua RD., Futian, Shenzhen, China



THIS DRAWING IS UNPUBLISHED. RELEASED FOR PUBLICATION JAN , 2002.  
 © COPYRIGHT 2002 BY TYCO ELECTRONICS CORPORATION. ALL RIGHTS RESERVED.

LOC	DIST	REVISIONS				
P	LTR	DESCRIPTION	DATE	DWN	APVD	
J						
		0 RELEASED	FJB0-0001-05	10DEC04	H.H I.E	



SEALANT(SIF-200B)	NOT AVAILABLE	650	77.5	54.7	55	72	68.4	34.2	160	
			77.5	48.7	49	72	68.4	34.2	140	
			61.5	42.7	43	56	52.4	26.2	120	
			61.5	36.7	37	56	52.4	26.2	100	
			61.5	33.7	34	56	52.4	26.2	90	
			49.5	30.7	31	44	40.4	20.2	80	
			49.5	27.7	28	44	40.4	20.2	70	
			49.5	24.7	25	44	40.4	20.2	60	
	NOT AVAILABLE	650	37.5	21.7	22	32	28.4	14.2	50	
			77.5	54.7	55	72	68.4	34.2	160	
			77.5	48.7	49	72	68.4	34.2	140	
			61.5	42.7	43	56	52.4	26.2	120	
			61.5	36.7	37	56	52.4	26.2	100	
			61.5	33.7	34	56	52.4	26.2	90	
			49.5	30.7	31	44	40.4	20.2	80	
			49.5	27.7	28	44	40.4	20.2	70	
			49.5	24.7	25	44	40.4	20.2	60	
	NOT AVAILABLE	650	37.5	21.7	22	32	28.4	14.2	50	6612008-3
NON SEALANT	NOT AVAILABLE	650	77.5	54.7	55	72	68.4	34.2	160	
			77.5	48.7	49	72	68.4	34.2	140	
			61.5	42.7	43	56	52.4	26.2	120	
			61.5	36.7	37	56	52.4	26.2	100	
			61.5	33.7	34	56	52.4	26.2	90	
			49.5	30.7	31	44	40.4	20.2	80	
			49.5	27.7	28	44	40.4	20.2	70	
			49.5	24.7	25	44	40.4	20.2	60	
	NOT AVAILABLE	650	37.5	21.7	22	32	28.4	14.2	50	6612008-3
SEALANT	TOOLING STATUS	QTY	W	E	D	C	B	A	POS.	PART NO.

△ THIS PRODUCT WAS COATED BY FLUX-PENETRATION -INHIDITING AGENT.

LEAD FREE

THIS DRAWING IS A CONTROLLED DOCUMENT.

DIMENSIONS: MM	TOLERANCES UNLESS OTHERWISE SPECIFIED:	DWN HAWKING HE 10DEC04		Tyco Electronics AMP K.K.
		CHK STEVEN YAO 10DEC04		Kawasaki.Japan
		APVD I.ENOMOTO 10DEC04	NAME	EMBOSS ASSY
		PRODUCT SPEC		FH 0.6BTB CONNECTOR
		108-60047		PLUG 6H STD TYPE WITH 1ROW CAP
		APPLICATION SPEC	SIZE	CAGE CODE
		114-5255	A3	00779
		WEIGHT	DRAWING NO	RESTRICTED TO
			C=6612008	
MATERIAL	FINISH	CUSTOMER DRAWING	SCALE 1:1	SHEET 1 OF 4
				REV 0

4

3

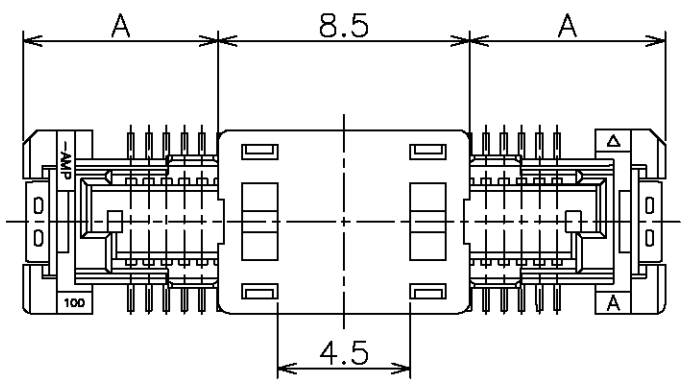
2

1

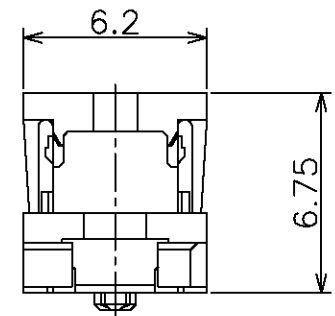
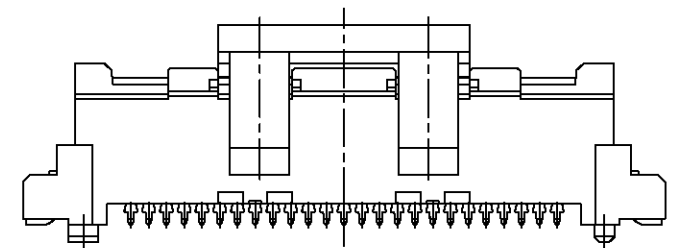
THIS DRAWING IS UNPUBLISHED. RELEASED FOR PUBLICATION JUN , 1996.

© COPYRIGHT 1996 BY TYCO ELECTRONICS CORPORATION. ALL RIGHTS RESERVED.

LOC	DIST	REVISIONS					
J	/	P	LTR	DESCRIPTION	DATE	DWN	APVD
		-		SEE SHEET 1	-	-	-



1 CONNECTORS DIMENSION AND RECOMMENDED P.C. BOARD LAYOUT : SEE CONNECTOR DRAWING



LEAD FREE

NOT AVAILABLE		80	
NOT AVAILABLE		70	
NOT AVAILABLE		60	
AVAILABLE	6.6	50	1123835-2
TOOLING STATUS	A	POS	CAP P/N

THIS DRAWING IS A CONTROLLED DOCUMENT.		DWN HAWKING HE 10DEC04	<b>tyco</b> Tyco Electronics AMP K.K.	
DIMENSIONS: MM		CHK STEVEN YAO 10DEC04	<b>Electronics</b> Kawasaki, Japan	
TOLERANCES UNLESS OTHERWISE SPECIFIED:		APVD I. ENOMOTO 10DEC04	NAME	
0 PLC ± 0.2		PRODUCT SPEC	EMBOSS ASSY	
1 PLC ± 0.2		108-60047	FH 0.6BTB CONNECTOR	
2 PLC ± 0.2		APPLICATION SPEC	PLUG 6H STD TYPE WITH 1ROW CAP	
3 PLC ± 0.2		114-5255	SIZE A3	RESTRICTED TO
4 PLC ± 0.2		WEIGHT	CAGE CODE 00779	DRAWING NO C=6612008
ANGLES ± 3°		CUSTOMER DRAWING	SCALE 4:1	SHEET 2 OF 4
FINISH				REV 0

4

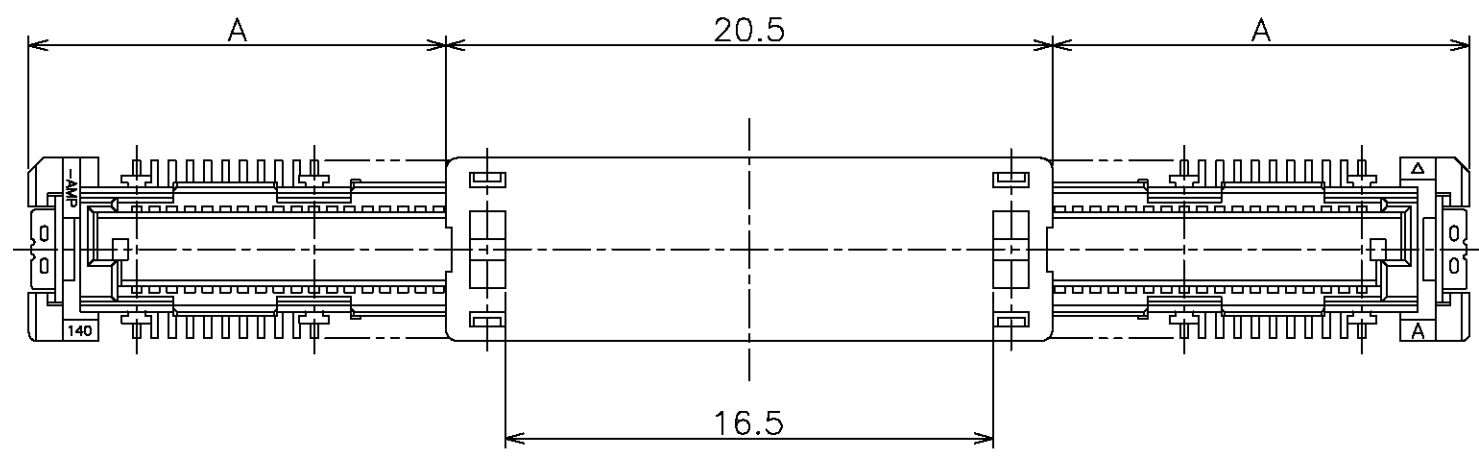
3

2

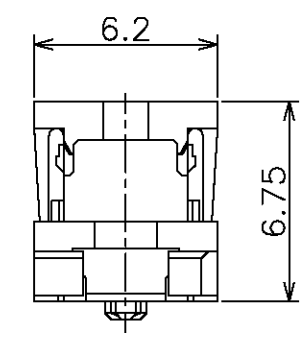
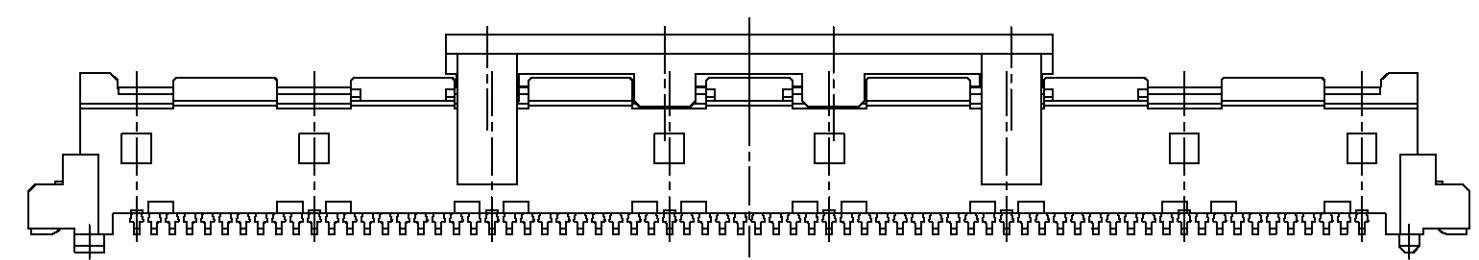
1

THIS DRAWING IS UNPUBLISHED. RELEASED FOR PUBLICATION JUN , 1996.  
 © COPYRIGHT 1996 BY TYCO ELECTRONICS CORPORATION. ALL RIGHTS RESERVED.

LOC	DIST	REVISIONS			
P	LTR	DESCRIPTION	DATE	DWN	APVD
J	/	SEE SHEET 1	-	-	-



1 CONNECTORS DIMENSION AND RECOMMENDED P.C. BOARD LAYOUT : SEE CONNECTOR DRAWING

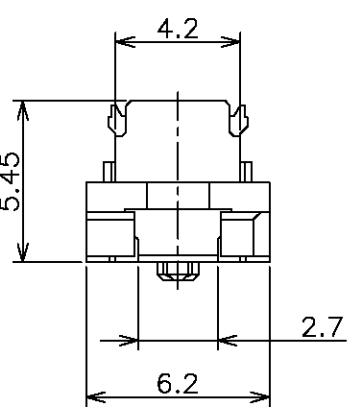
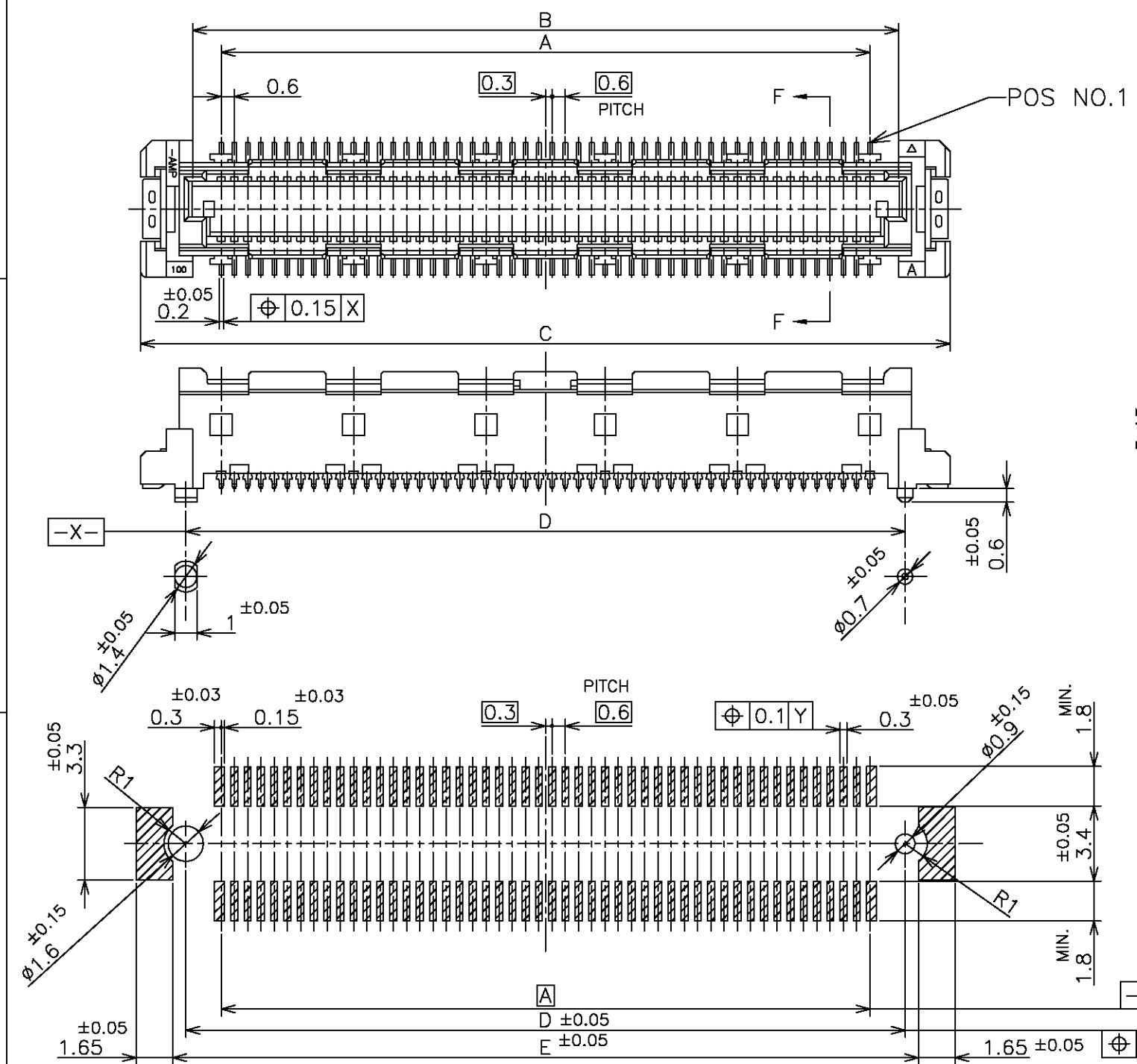


LEAD FREE

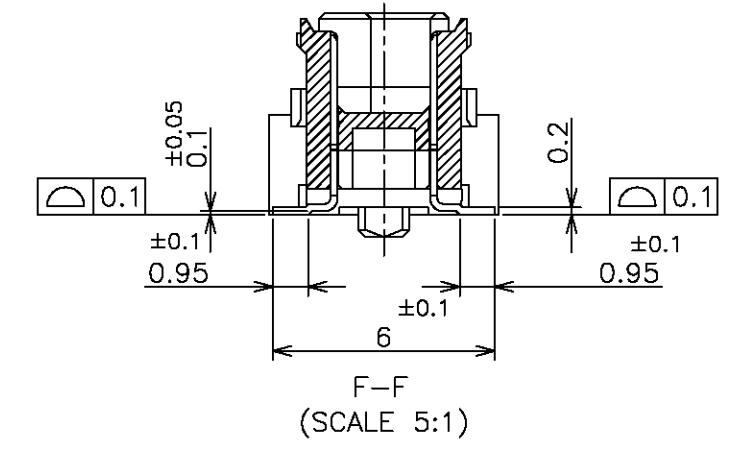
NOT AVAILABLE	160
NOT AVAILABLE	140
NOT AVAILABLE	120
NOT AVAILABLE	100
NOT AVAILABLE	90
TOOLING STATUS	A POS CAP P/N

THIS DRAWING IS A CONTROLLED DOCUMENT.		DWN HAWKING HE 10DEC04	<b>tyco</b> Tyco Electronics AMP K.K.	
		CHK STEVEN YAO 10DEC04	<b>Electronics</b> Kawasaki, Japan	
DIMENSIONS: MM		APVD I. ENOMOTO 10DEC04	NAME	
		PRODUCT SPEC	EMBOSS ASSY	
		APPLICATION SPEC	FH 0.6BTB CONNECTOR	
MATERIAL		WEIGHT	SIZE	CAGE CODE
FINISH			A3	00779
			DRAWING NO	
			C=6612008	
		CUSTOMER DRAWING		RESTRICTED TO
		SCALE 4:1		SHEET 3 OF 4
				REV 0

LOC	DIST	REVISIONS					
J		P	LTR	DESCRIPTION	DATE	DWN	APVD
		-		SEE SHEET 1	-	-	-



- ① MATERIAL : HOUSING : HIGH TEMP THERMO PLASTIC UL94V-0  
CONTACT : COPPER ALLOY
- ② FINISH : UNDER PL Ni 0.0013mm MIN ALL OVER.  
CONTACT AREA 0.0002 MIN Au PL.  
SOLDERING AREA 0.001 MIN TIN PL.
- ③ SEE PACKING ASSY DWG AS FINAL ASSY PART NUMBER.



LEAD FREE

RECOMMENDED P.C. BOARD LAYOUT  
(VIEW FROM CONN. MOUNTING SIDE)

NOT AVAILABLE	51.8	50.6	54.7	50	47.4	160
AVAILABLE	45.8	44.6	48.7	44	41.4	140
NOT AVAILABLE	39.8	38.6	42.7	38	35.4	120
AVAILABLE	33.8	32.6	36.7	32	29.4	100
NOT AVAILABLE	30.8	29.6	33.7	29	26.4	90
NOT AVAILABLE	27.8	26.6	30.7	26	23.4	80
AVAILABLE	24.8	23.6	27.7	23	20.4	70
NOT AVAILABLE	21.8	20.6	24.7	20	17.4	60
AVAILABLE	18.8	17.6	21.7	17	14.4	50
NOT AVAILABLE	15.8	14.6	18.7	14	11.4	40
NOT AVAILABLE	12.8	11.6	15.7	11	8.4	30
TOOLING STATUS	E	D	C	B	A	POS

THIS DRAWING IS A CONTROLLED DOCUMENT.		DWN HAWKING HE 10DEC04	Tyco Electronics AMP K.K. Kawasaki, Japan	
DIMENSIONS: MM		CHK STEVEN YAO 10DEC04		
TOLERANCES UNLESS OTHERWISE SPECIFIED:		APVD I. ENOMOTO 10DEC04	NAME	
0 PLC ± 0.3 1 PLC ± 0.3 2 PLC ± 0.3 3 PLC ± 0.3 4 PLC ± 0.3 ANGLES ± 3°		PRODUCT SPEC 108-60047	EMBOSS ASSY	
MATERIAL		APPLICATION SPEC 114-5255	FH 0.6BTB CONNECTOR	
FINISH		WEIGHT	PLUG 6H STD TYPE WITH 1ROW CAP	
①		SIZE A3		RESTRICTED TO
②		CAGE CODE 00779		
		DRAWING NO C=6612008		
CUSTOMER DRAWING		SCALE 4:1		SHEET 4 OF 4
				REV 0