



Chipsmall Limited consists of a professional team with an average of over 10 year of expertise in the distribution of electronic components. Based in Hongkong, we have already established firm and mutual-benefit business relationships with customers from,Europe,America and south Asia,supplying obsolete and hard-to-find components to meet their specific needs.

With the principle of “Quality Parts,Customers Priority,Honest Operation,and Considerate Service”,our business mainly focus on the distribution of electronic components. Line cards we deal with include Microchip,ALPS,ROHM,Xilinx,Pulse,ON,Everlight and Freescale. Main products comprise IC,Modules,Potentiometer,IC Socket,Relay,Connector.Our parts cover such applications as commercial,industrial, and automotives areas.

We are looking forward to setting up business relationship with you and hope to provide you with the best service and solution. Let us make a better world for our industry!



## Contact us

Tel: +86-755-8981 8866 Fax: +86-755-8427 6832

Email & Skype: info@chipsmall.com Web: www.chipsmall.com

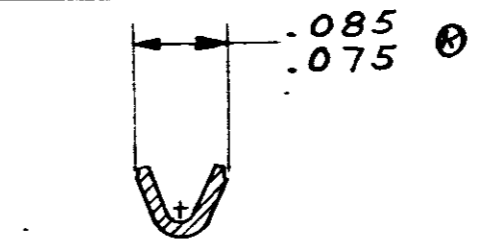
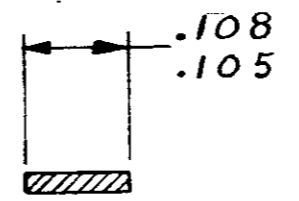
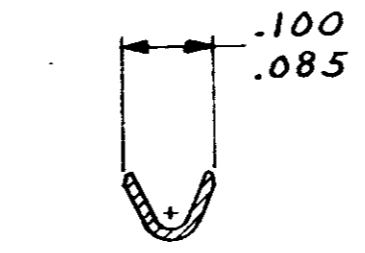
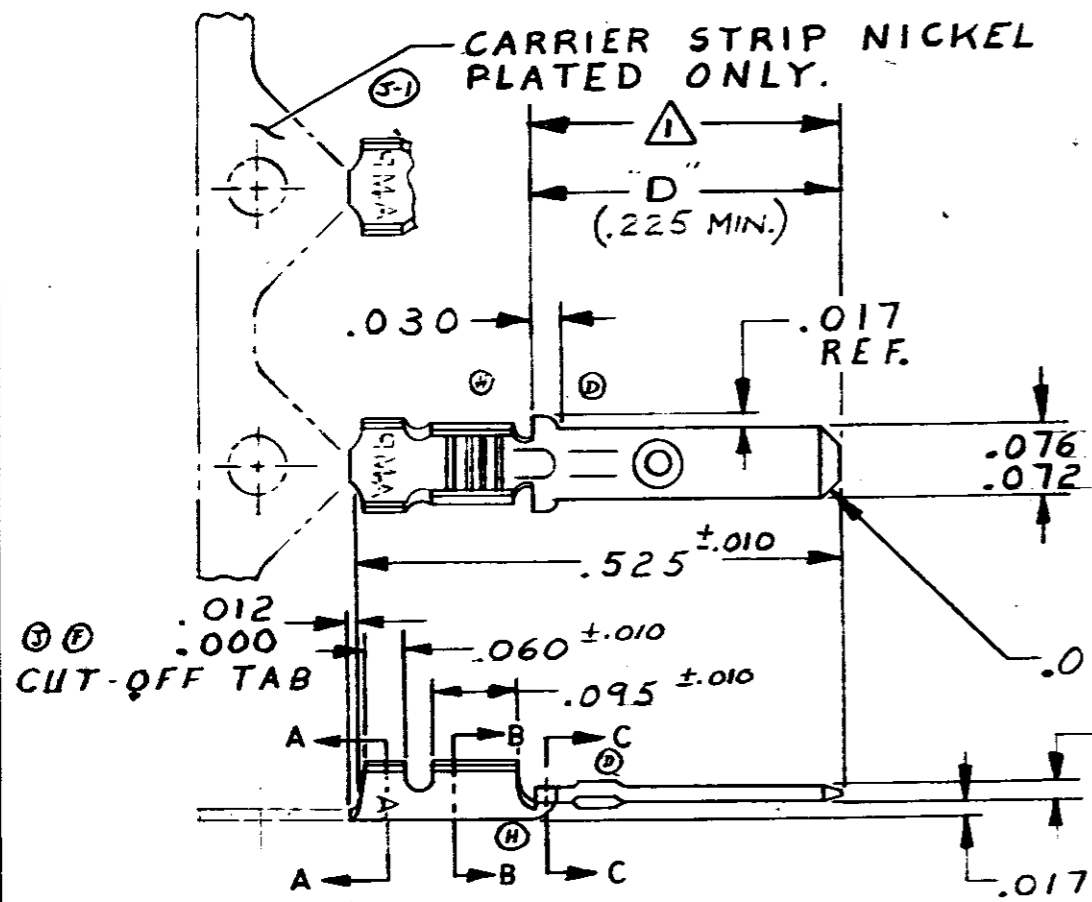
Address: A1208, Overseas Decoration Building, #122 Zhenhua RD., Futian, Shenzhen, China



NUMBER 66143 SHT. 1 OF 1

© 1962 BY AMP INCORPORATED. ALL RIGHTS RESERVED. AMP PRODUCTS COVERED BY PATENTS AND/OR PATENTS PENDING.

REVISIONS						
SYM	ZONE	DESCRIPTION		DATE	APPROVAL	
H		REVISED SHT. 1 & 2 V-906	m.s.	2-11-5	D. H.	
J		REVISED SHT. 1 & 2 W-191, W-239	m.s.	5-3-5	R. M.	
J-1		REVISED SHT. 1 & 2	1792	m.s.	5-2-68	D.H.
J-2		REVISED SHT. 1 & 2	1827	m.s.	6-19-69	m.s. J.H.
K		REVISED SHT. 1 & 2	1910	m.s.	9-20-68	D.H.
K-1		ADD -6 & -7	2148	m.s.	7-13-69	D.H.
K-2		REVISED	3670	m.s.	10-24-72	D.R.
L		REVISED	6124	m.s.	7-10-79	
M		REVISED	6198	m.s.	8-14-79	
N		REVISED PER AD1322			7-2-86	CP



WIRE RANGE : 26-22  
 INSULATION RANGE : .053 MAX.  
 $\Delta$  GOLD PLATING IN TAB AREA ONLY, REMAINDER OF CONTACT NICKEL PLATED.

66143-3	66168-3	66355-3	.000015 AU./ .000050 NI.
66143-2	66168-2	66355-2	.000030 AU./ .000050 NI.

OFF RECD	PART OR IDENTIFYING NO.	NOMENCLATURE OR DESCRIPTION	STRIP W/N STD. REELING R-L FEED	L.P. NO.	L-R FEED FOR MINI-APPL.	FINISH
LIST OF MATERIALS OR PARTS LIST						
UNLESS OTHERWISE SPECIFIED DIMENSIONS ARE IN INCHES TOLERANCES ON FRACTIONS DECIMALS ANGLES $\pm$ # $\pm$ .005 $\pm$ 1° 0'			SIGNATURE		DATE	 AMP INCORPORATED HARRISBURG, PENNSYLVANIA  AMP-TAB MALE CONTACT
MATERIAL			DR R.L. MILLER		11-20-62	
.016 COML. BRASS			CHK RUNKLE		11-20-62	
HEAT TREAT			DSGN ENGR R. SHOWMAN		11-20-62	
FINISH			APPD G. REIDER		11-20-62	
SEE TABLE			DSGN APPD		CODE IDENT NO	SIZE NUMBER
			OTHER APPD		00779	B 66143
AMP INFO			SCALE 5-1		WT	CALC ACTUAL
LOC PRINT EST. AD39N					SHEET 1 OF 1	