



Chipsmall Limited consists of a professional team with an average of over 10 year of expertise in the distribution of electronic components. Based in Hongkong, we have already established firm and mutual-benefit business relationships with customers from,Europe,America and south Asia,supplying obsolete and hard-to-find components to meet their specific needs.

With the principle of "Quality Parts,Customers Priority,Honest Operation,and Considerate Service",our business mainly focus on the distribution of electronic components. Line cards we deal with include Microchip,ALPS,ROHM,Xilinx,Pulse,ON,Everlight and Freescale. Main products comprise IC,Modules,Potentiometer,IC Socket,Relay,Connector.Our parts cover such applications as commercial,industrial, and automotives areas.

We are looking forward to setting up business relationship with you and hope to provide you with the best service and solution. Let us make a better world for our industry!



Contact us

Tel: +86-755-8981 8866 Fax: +86-755-8427 6832

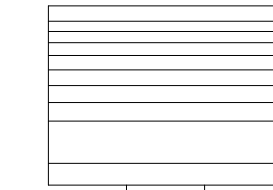
Email & Skype: info@chipsmall.com Web: www.chipsmall.com

Address: A1208, Overseas Decoration Building, #122 Zhenhua RD., Futian, Shenzhen, China

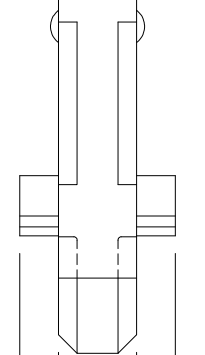
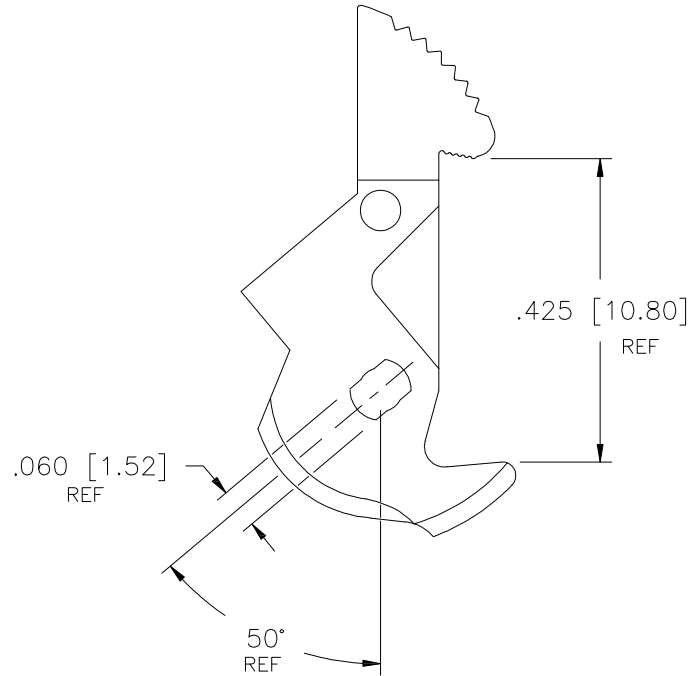
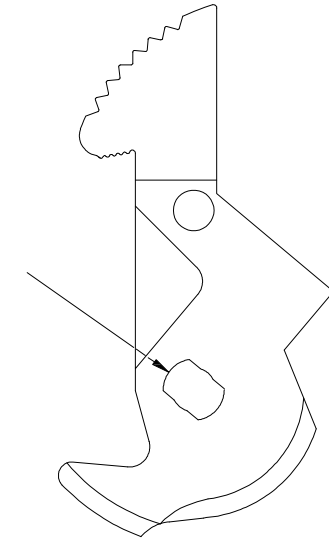


RODUCT NUMBER	MATERIAL COLOR	MATERIAL TYPE	DIMENSION A (MM)
66177-001	BLUE	PBT	5.97
66177-002	BLACK	PBT	
66177-003	BLUE (HIGH TEMP)	PBT	
66177-004	BLACK (HIGH TEMP)	PCT	
66177-005	GRAY	PBT	8.80±0.20
66177-006	BLACK	PCT	8.80±0.20

DIMENSION A REF



∅.090 [2.29] REF



.230 [5.84] REF

.115 [2.92] REF

NOTE:

- MOLDING MAT'L: GLASS FILLED POLYESTER, FLAME RETARDENT PER UL-94V-0. COLOR; SEE TABLE
- ADD "LF" SUFFIX AT THE END OF PART NUMBER FOR LEAD FREE OPTION.
- IF "LF" P/N THE PRODUCT MEETS EUROPEAN UNION DIRECTIVES AND OTHER COUNTRY REGULATION AS DESCRIBED IN GS-22-008.
- THE HOUSING WILL WITHSTAND EXPOSURE TO 260° PEAK TEMPERATURE FOR 15 SECONDS IN A WAVE SOLDER APPLICATION WITH A 1.5mm MINIMUM THICKNESS CIRCUIT BOARD. SEE APPLICATION NOTES/PROCEDURES IF THEY ARE AVAILABLE.

mat'l. code		surface ISO 1302		tolerance ISO 406 ISO 1101		projection INCH/MM		product family QUICKIE	
ltr		ecn no		dr		date		title	
B		-NONE-		RDS		5/6/88		SEA-HORSE LATCH	
C		V61149		EPK		8/16/96		LOW PROFILE	
D		N06-0027		DT		1/24/06		scale 3:1	
E		N06-0112		LONG		4/18/06		dwg no	
F		ELX-N-24793		MZ		8/31/16		sheet 1 of 1	
				enr		D. SHEAFFER		size	
				chr		R. DOUTRICH		66177	
				appd		R. DOUTRICH		A3	
sheet index		revision sheet		F		1		type Product Customer Drawing	