



Chipsmall Limited consists of a professional team with an average of over 10 year of expertise in the distribution of electronic components. Based in Hongkong, we have already established firm and mutual-benefit business relationships with customers from,Europe,America and south Asia,supplying obsolete and hard-to-find components to meet their specific needs.

With the principle of “Quality Parts,Customers Priority,Honest Operation,and Considerate Service”,our business mainly focus on the distribution of electronic components. Line cards we deal with include Microchip,ALPS,ROHM,Xilinx,Pulse,ON,Everlight and Freescale. Main products comprise IC,Modules,Potentiometer,IC Socket,Relay,Connector.Our parts cover such applications as commercial,industrial, and automotives areas.

We are looking forward to setting up business relationship with you and hope to provide you with the best service and solution. Let us make a better world for our industry!



Contact us

Tel: +86-755-8981 8866 Fax: +86-755-8427 6832

Email & Skype: info@chipsmall.com Web: www.chipsmall.com

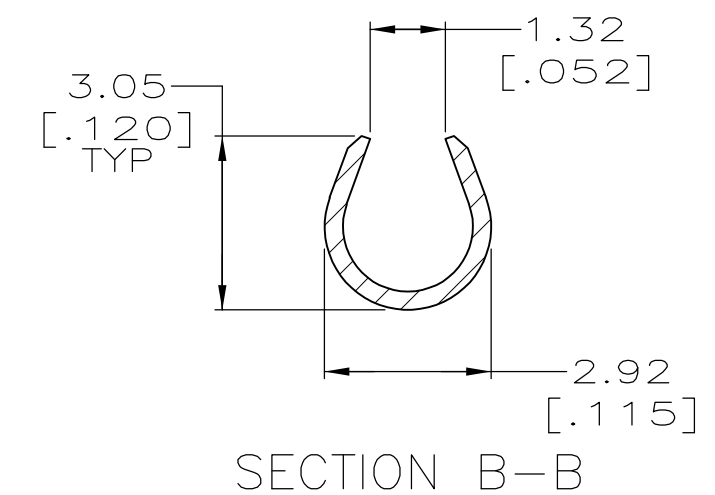
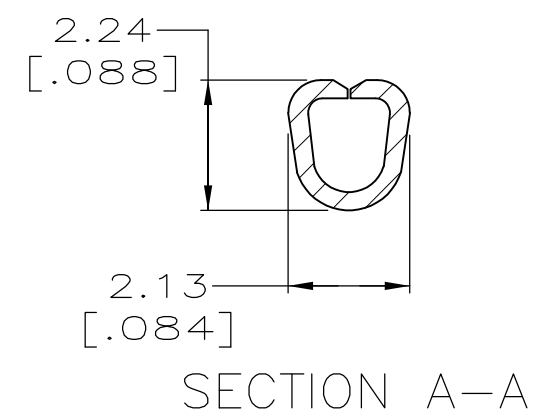
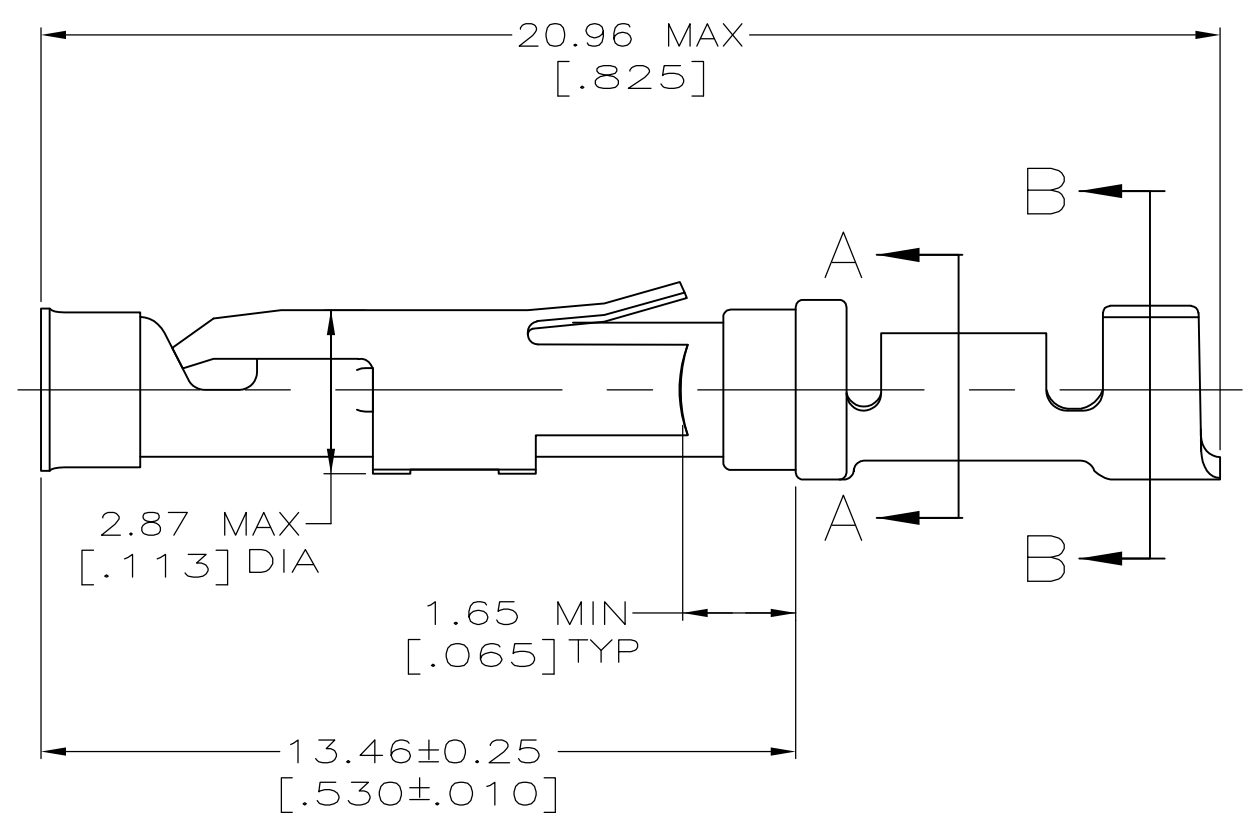
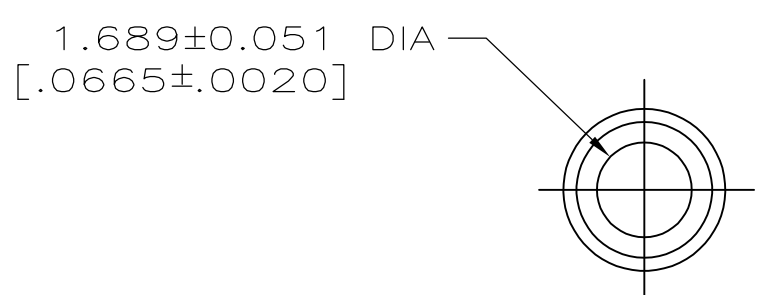
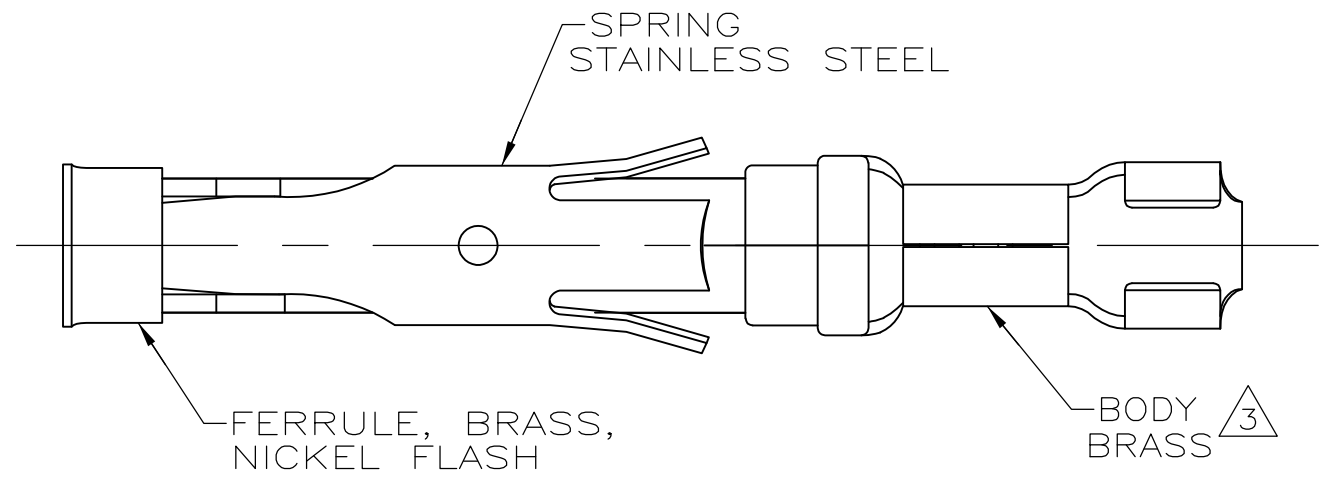
Address: A1208, Overseas Decoration Building, #122 Zhenhua RD., Futian, Shenzhen, China



THIS DRAWING IS UNPUBLISHED. RELEASED FOR PUBLICATION
 © COPYRIGHT - By - ALL RIGHTS RESERVED.

LOC	DIST	REVISIONS			
P	LTR	DESCRIPTION	DATE	DWN	APVD
FT	47	J1	REVISED PER ECO-11-005027	11MAR11	RK HMR

1. WIRE RANGE 18-16 AWG.
2. COLOR CODED BLUE IN SPRING DIMPLE AREA.
3. $0.76\mu\text{m}$ [.000030] MIN GOLD PER MIL-G-45204 ON MATING END FOR A LENGTH OF 5.08 [.200] MIN WITH A UNIFORM GRADIENT TO $0.25\mu\text{m}$ [.000010] MIN GOLD PER MIL-G-45204 ON INSULATION SUPPORT BARREL OVER $0.76\mu\text{m}$ [.000030] MIN NICKEL PER QQ-N-290.



SMALL PACK	66181-3
STANDARD	66181-1
PACKAGING TYPE	PART NO

THIS DRAWING IS A CONTROLLED DOCUMENT.		DWN R. SHIREY 7-29-91	STE TE Connectivity	
DIMENSIONS: MM[INCHES]		CHK R. STONE 9-19-91		
TOLERANCES UNLESS OTHERWISE SPECIFIED:		APVD J. WESTMAN 9-20-91	NAME SOCKET ASSEMBLY, LOOSE PIECE, TYPE III+	
0 PLC ± -		PRODUCT SPEC	SIZE CAGE CODE DRAWING NO	
1 PLC ± -		APPLICATION SPEC	A2 00779 G-66181	
2 PLC ± 0.13[.005]		WEIGHT	RESTRICTED TO	
3 PLC ± -		MATERIAL	-	
4 PLC ± -		FINISH	CUSTOMER DRAWING	
ANGLES ± ± -		SEE CALLOUTS	SCALE 8:1	SHEET 1 OF 1
MATERIAL		SEE CALLOUTS	REV J1	