



Chipsmall Limited consists of a professional team with an average of over 10 year of expertise in the distribution of electronic components. Based in Hongkong, we have already established firm and mutual-benefit business relationships with customers from,Europe,America and south Asia,supplying obsolete and hard-to-find components to meet their specific needs.

With the principle of “Quality Parts,Customers Priority,Honest Operation,and Considerate Service”,our business mainly focus on the distribution of electronic components. Line cards we deal with include Microchip,ALPS,ROHM,Xilinx,Pulse,ON,Everlight and Freescale. Main products comprise IC,Modules,Potentiometer,IC Socket,Relay,Connector.Our parts cover such applications as commercial,industrial, and automotives areas.

We are looking forward to setting up business relationship with you and hope to provide you with the best service and solution. Let us make a better world for our industry!



## Contact us

Tel: +86-755-8981 8866 Fax: +86-755-8427 6832

Email & Skype: info@chipsmall.com Web: www.chipsmall.com

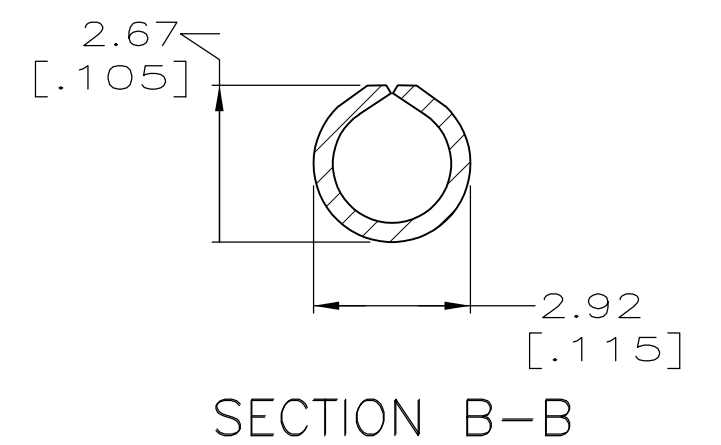
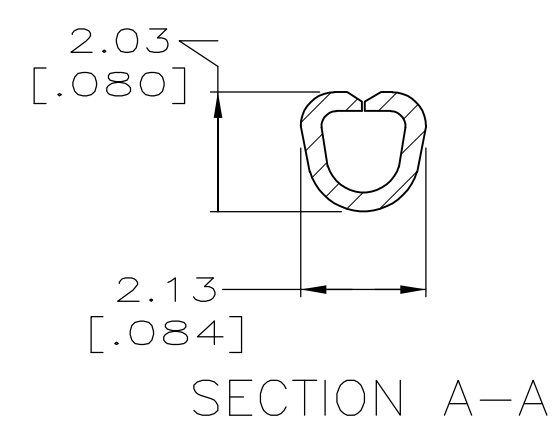
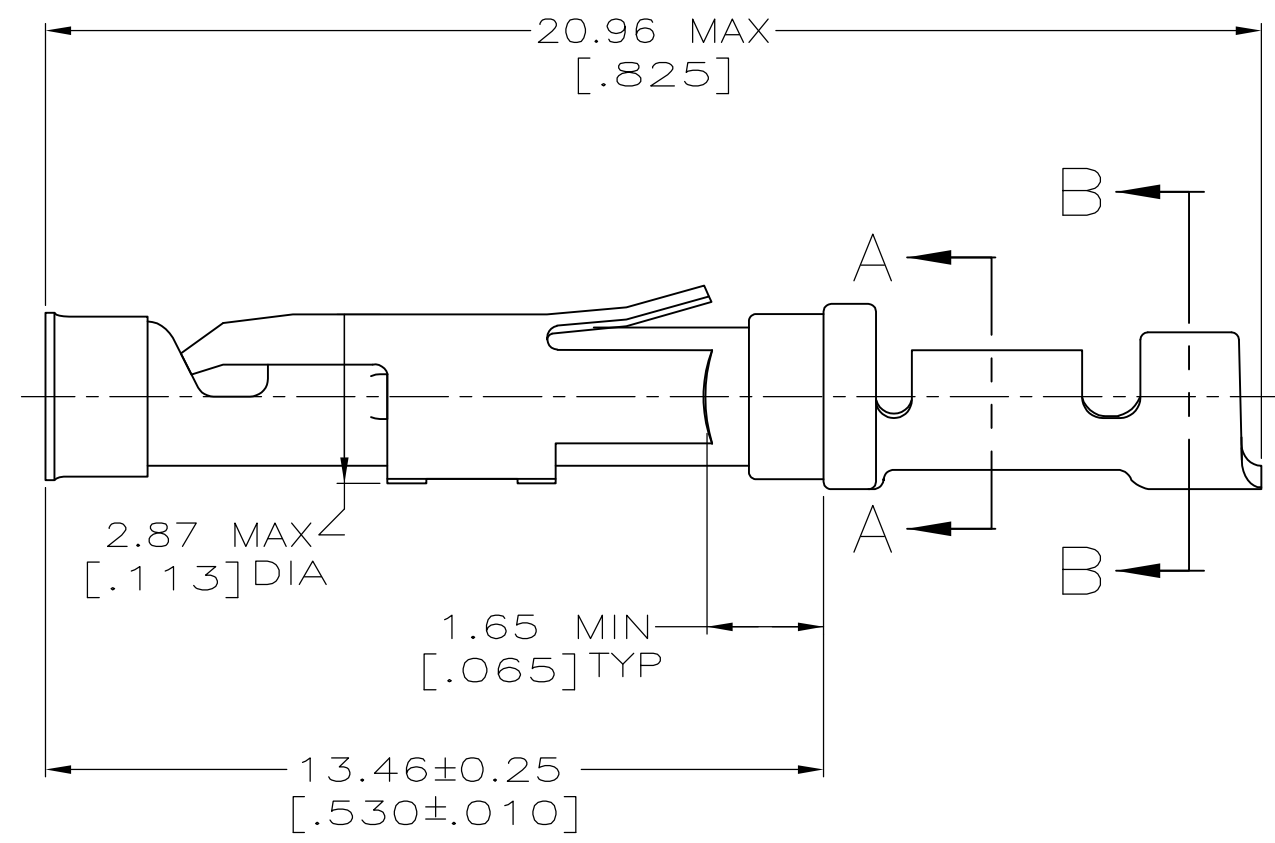
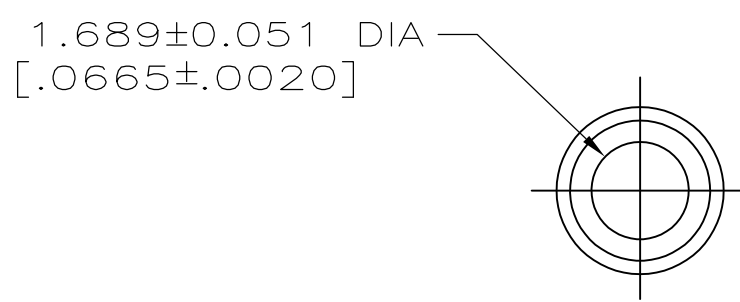
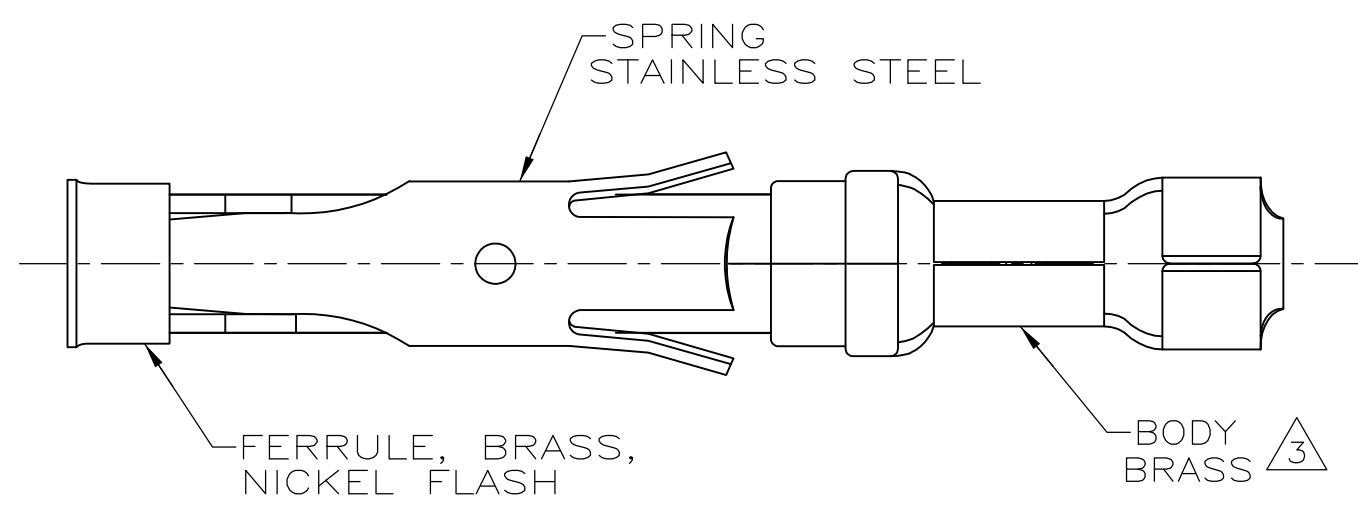
Address: A1208, Overseas Decoration Building, #122 Zhenhua RD., Futian, Shenzhen, China



THIS DRAWING IS UNPUBLISHED. RELEASED FOR PUBLICATION  
 © COPYRIGHT 19 BY AMP INCORPORATED. ALL INTERNATIONAL RIGHTS RESERVED.

LOC	DIST	P	F	ZONE	LTR	DESCRIPTION	DATE	APPD
FT	47				F	ADDED -2 PER NPR 4692	04/15/93	GS
					G	REV PER EC 0320-137-97	7-29-97	PB
					G	REVISED PER ECO-09-020689	27AUG09	AEG

1. WIRE RANGE 26-20 AWG.
2. COLOR CODED YELLOW IN SPRING DIMPLE AREA.
3. 0.76 $\mu$ m [.000030] MIN GOLD PER MIL-G-45204 ON MATING END FOR A LENGTH OF 5.08 [.200] MIN WITH A UNIFORM GRADIENT TO 0.25 $\mu$ m [.000010] MIN GOLD PER MIL-G-45204 ON INSULATION SUPPORT BARREL OVER 0.76 $\mu$ m [.000030] MIN NICKEL PER QQ-N-290.
4. OBSOLETE PARTS: OBSOLETE CIS STREAMLINING PER D.RENAUD/D.SINISI



4 OBSOLETE	SMALL PACK	66183-2
	STANDARD	66183-1
	PACKAGING TYPE	PART NO

DO NOT SCALE PRINT. UNLESS SPECIFIED DIMENSIONS IN mm [INCHES] TOLERANCES ON:		DR 7-30-91 R.SHIREY		AMP Incorporated Harrisburg, PA 17105-3608	
2 PLC DEC ± 0.13 [.005]		CHK 9-19-91 R.STONE			
3 PLC DEC ± -		APPD 9-20-91 J.WESTMAN		NAME	
ANGLES ± -		APPD 9-23-91 W.PARKER		SOCKET ASSEMBLY, LOOSE PIECE, TYPE III+	
MATERIAL		PRODUCT SPEC		SIZE	
SEE CALLOUTS		-		CAGE CODE	
FINISH		APPLICATION SPEC		DRAWING NO	
SEE CALLOUTS		-		66183	
		WEIGHT		SCALE	
		-		8:1	
				SHEET	
				1 OF 1	