



Chipsmall Limited consists of a professional team with an average of over 10 year of expertise in the distribution of electronic components. Based in Hongkong, we have already established firm and mutual-benefit business relationships with customers from,Europe,America and south Asia,supplying obsolete and hard-to-find components to meet their specific needs.

With the principle of "Quality Parts,Customers Priority,Honest Operation,and Considerate Service",our business mainly focus on the distribution of electronic components. Line cards we deal with include Microchip,ALPS,ROHM,Xilinx,Pulse,ON,Everlight and Freescale. Main products comprise IC,Modules,Potentiometer,IC Socket,Relay,Connector.Our parts cover such applications as commercial,industrial, and automotives areas.

We are looking forward to setting up business relationship with you and hope to provide you with the best service and solution. Let us make a better world for our industry!



## Contact us

Tel: +86-755-8981 8866 Fax: +86-755-8427 6832

Email & Skype: info@chipsmall.com Web: www.chipsmall.com

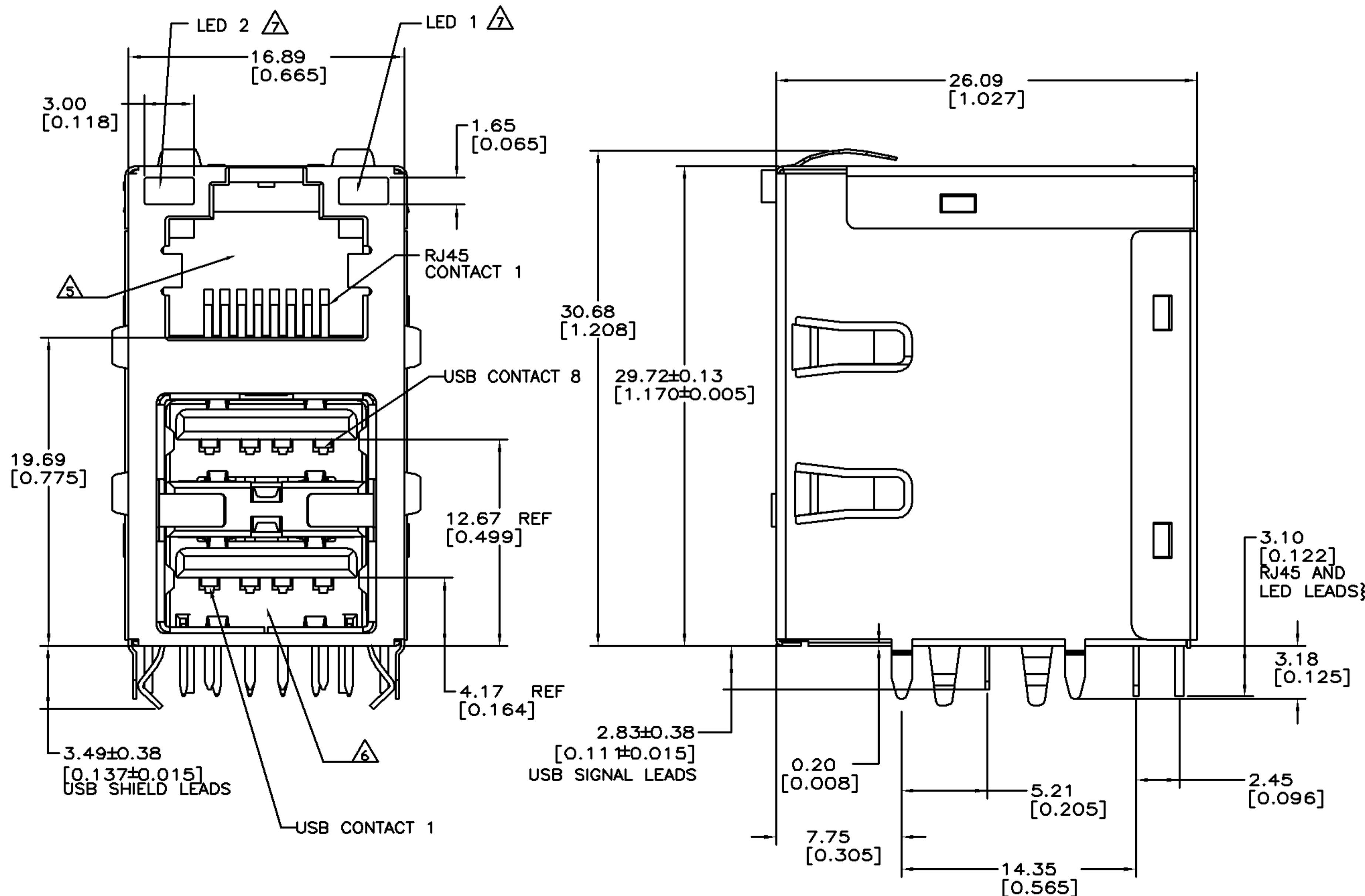
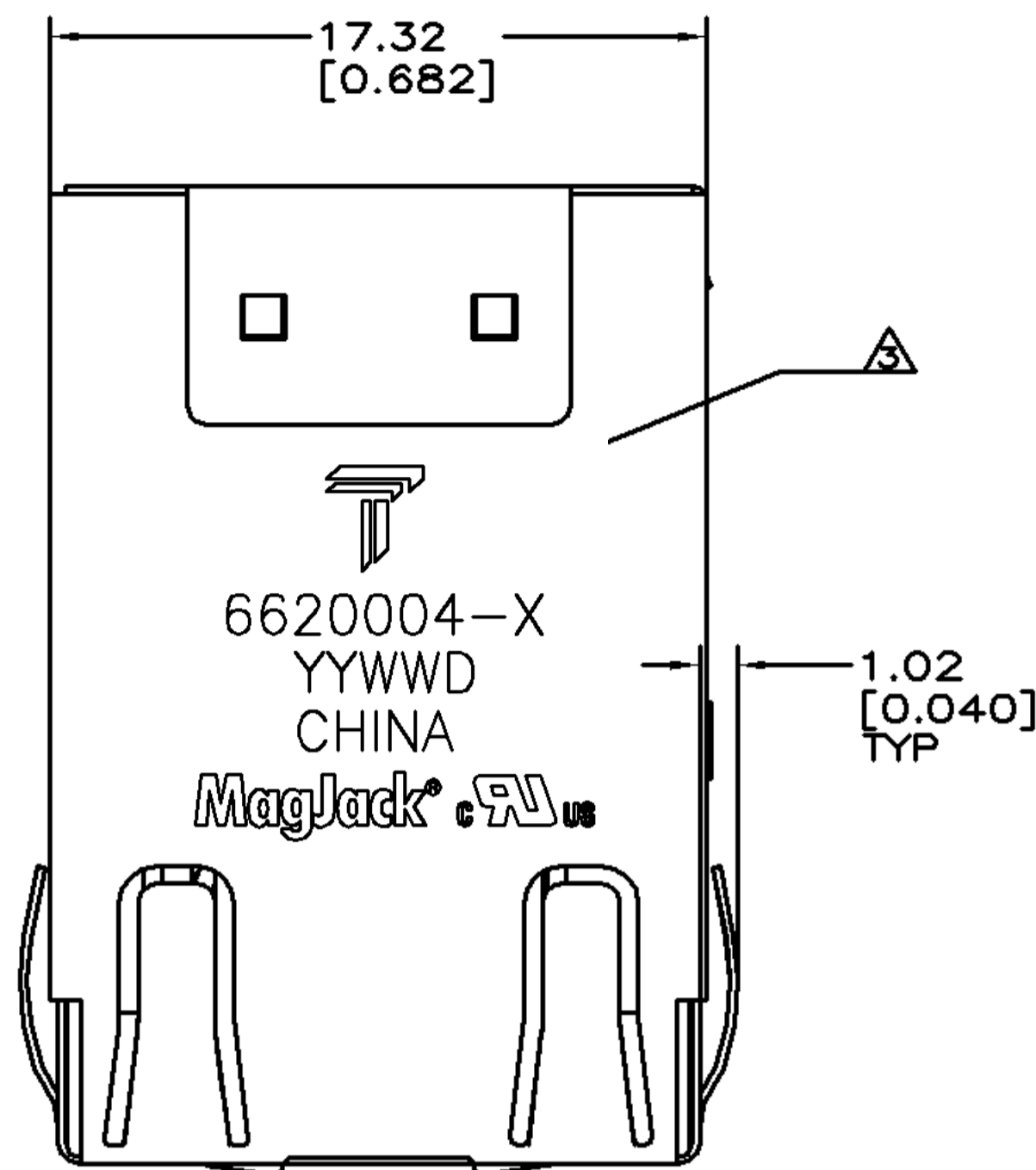
Address: A1208, Overseas Decoration Building, #122 Zhenhua RD., Futian, Shenzhen, China



THIS DRAWING AND THE SUBJECT MATTER SHOWN THEREON ARE CONFIDENTIAL AND THE PROPERTY OF BEL/STEWART/TRP CONNECTOR AND SHALL NOT BE REPRODUCED, COPIED, OR USED IN ANY MANNER WITHOUT THE WRITTEN CONSENT OF TRP CONNECTOR.

PRODUCT MAY BE PROTECTED BY ONE OR MORE OF THE FOLLOWING US PATENTS:  
 5738310 5939555 6425781 6428361 6554638 8840617 7123117  
 7428195 7717749 7808751 8217391 8148050 7924130

REVISIONS					
P	LTR	DESCRIPTION	DATE	DWN	APVD
G		EC-1411035, LOGO CHANGE	09JAN2015	JC	TY



**USB MATERIALS:**  
 SHELL: BRASS  
 HOUSING: BLACK, THERMOPLASTIC, GLASS FILLED, UL 94V-0 RATED  
 CONTACT: PHOSPHOR BRONZE WITH SELECTIVE GOLD PLATING, 0.76µm MIN IN CONTACT REGION  
 SPRING CLIP: COPPER ALLOY

**RJ45 MATERIALS:**  
 PLASTIC HOUSING: BLACK, PET THERMOPLASTIC FLAMMABILITY RATING UL 94V-0  
 SHIELD: BRASS, PLATED WITH 0.76µm SEMI-BRIGHT NICKEL, SELECTED TIN, 2.0-3.8µm ON SOLDER TAILS ONLY  
 CONTACTS: PHOSPHOR BRONZE  
 PLATING: 1.27µm MIN NICKEL UNDERPLATE WITH SELECT 1.27µm MIN GOLD AT MATING INTERFACE AND 2.54µm MIN TIN ON CONTACT TAILS.

LIGHT PIPE: FLAME RETARDANT POLYCARBONATE.  
 LED: DIFFUSED EPOXY LENS, CARBON STEEL LEAD FRAME WITH TIN/SILVER/NICKEL/COPPER PLATING.

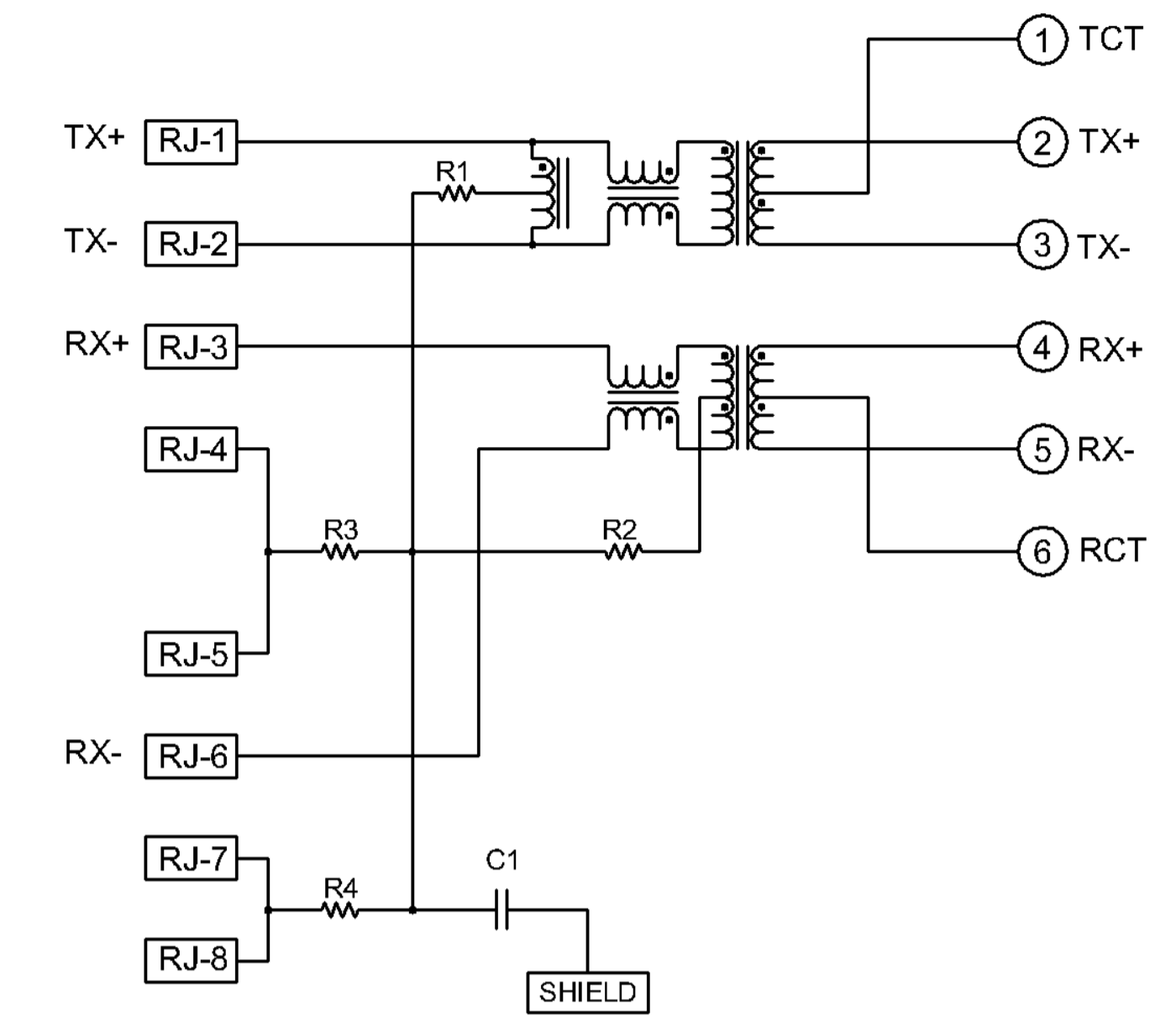
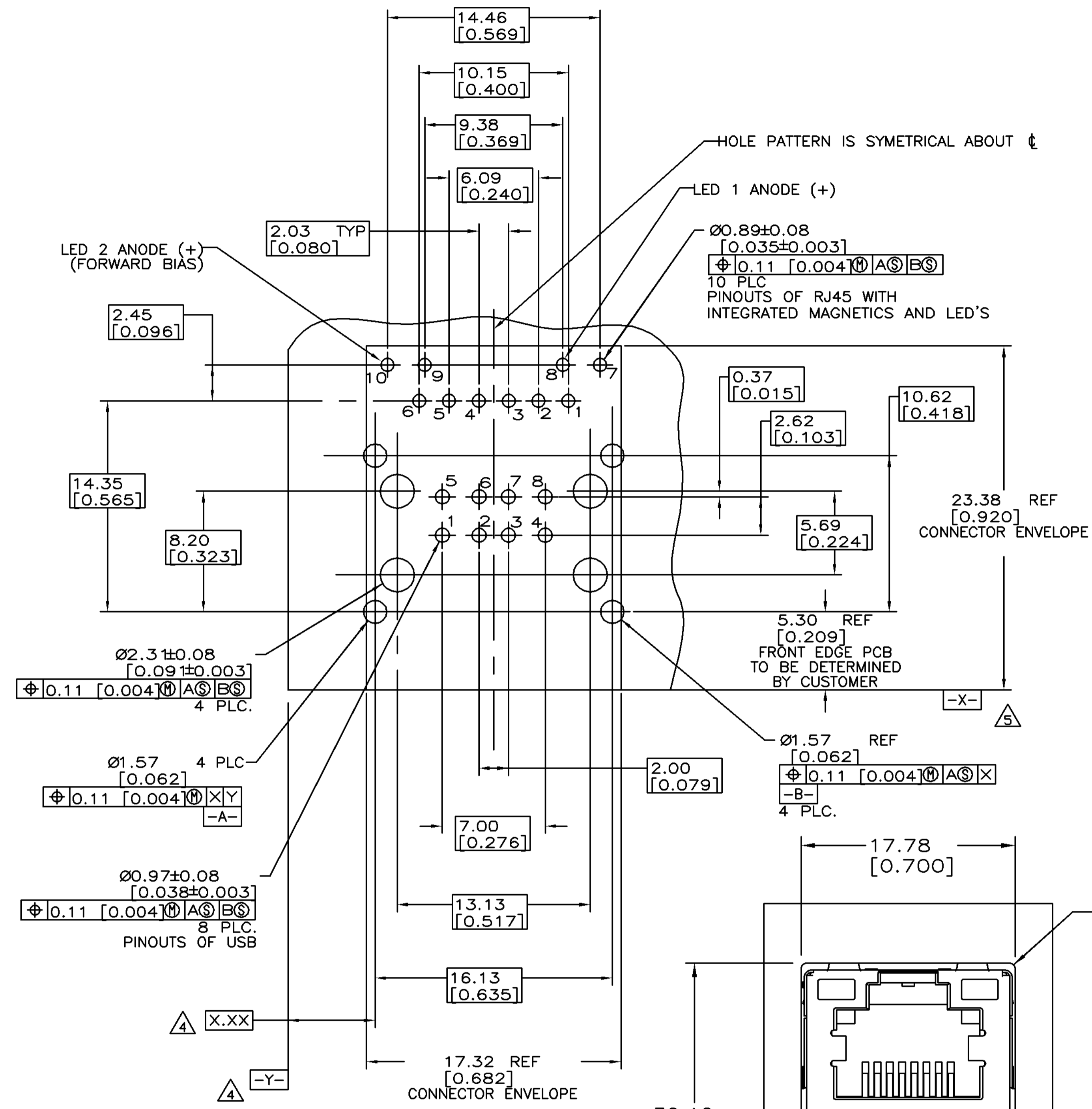
**MAGNETICS**  
 -APPLICATION: 10/100 BASE-T  
 -IMPEDANCE: 100 OHMS  
 -TURNS RATIO (CHIP:CABLE): TX = 1:1, RX = 1:1  
 -OPEN CIRCUIT INDUCTANCE (OCL): 350µH MIN @100kHz, 0.1VRMS, 8mADC BIAS FROM 0°C TO 70°C, TX AND RX  
 -PERFORMANCE @ 25°C:  
 INSERTION LOSS (IL): 1.1dB MAX FROM 0.5MHz TO 100MHz  
 RETURN LOSS (RL): 18dB MIN FROM 0.5MHz TO 30MHz  
 18-20LOG(f/30)dB MIN FROM 30.1MHz TO 60MHz  
 12dB MIN FROM 60.1MHz TO 80MHz  
 CROSSTALK ATTENUATION: 35dB MIN FROM 0.5MHz TO 40MHz  
 33-20LOG(f/50)dB MIN FROM 40.1MHz TO 100MHz  
 COMMON MODE REJECTION RATIO (CMRR): 30dB MIN FROM 0.5MHz TO 100MHz  
 -ISOLATION VOLTAGE: COMPLIES WITH IEEE802.3 2002, PARA 23.5.1.1, ITEM b.

- △ PRODUCT IDENTIFICATION TO BE MARKED IN APPROXIMATE LOCATION.
- △ DATUM LOCATION AND DIMENSION TO BE ESTABLISHED BY CUSTOMER.
- △ RJ45 CAVITY CONFORMS TO FCC RULES AND REGULATION PART 68 SUBPART F.
- △ MATING INTERFACE COMPIES WITH USB (UNIVERSAL SERIAL BUS) SPECIFICATION REV 2.0, UTILIZING TRP P/N 292323-1 WITH USB 2.0 CERTIFICATE TEST ID NO. 60000242.
- △ LED'S COMPLIANT WITH IEC60825-1 SAFETY OF LASER PRODUCTS. WHEN OPERATED AT CURRENT OF 20 MA.
- 8. OPERATING TEMPERATURE: -FROM 0 °C TO + 70° C
- 9. THESE PARTS ARE RECOMMENDED FOR WAVE SOLDERING PROCESS, PEAK SOLDERING TEMPERATURE IS 260 °C MAX, 10 SECONDS MAX.
- △ OBSOLETE PARTS: OBSOLETE CIS STREAMLINING PER D.RENAUD/D.SINISI

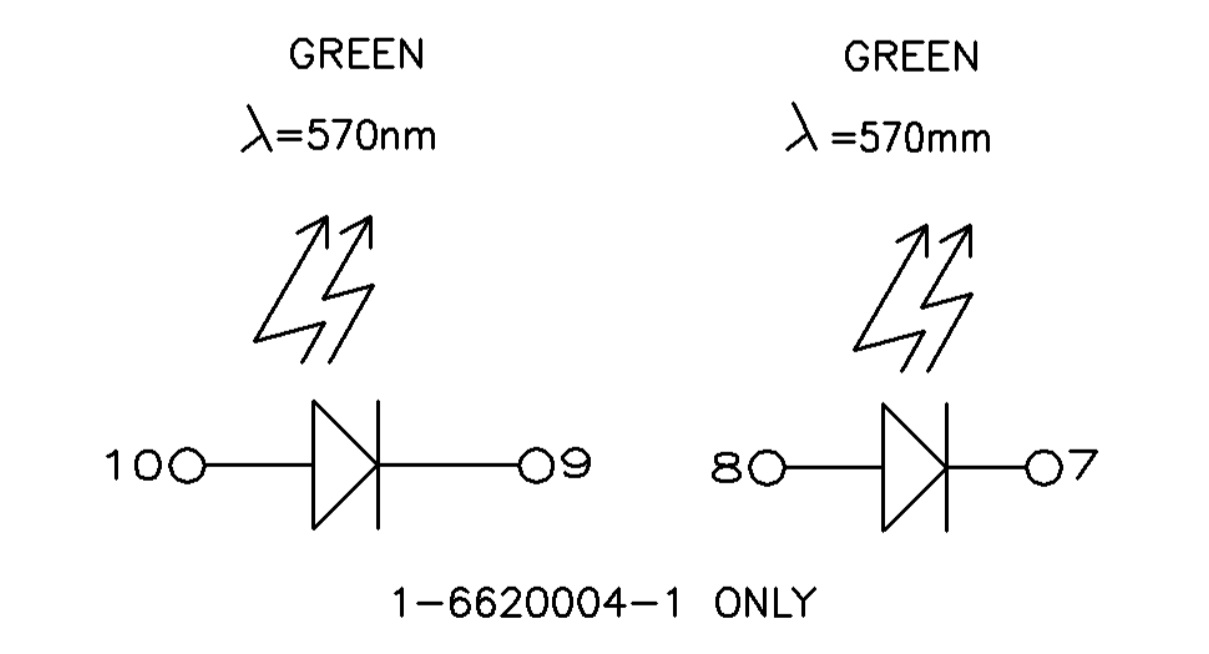
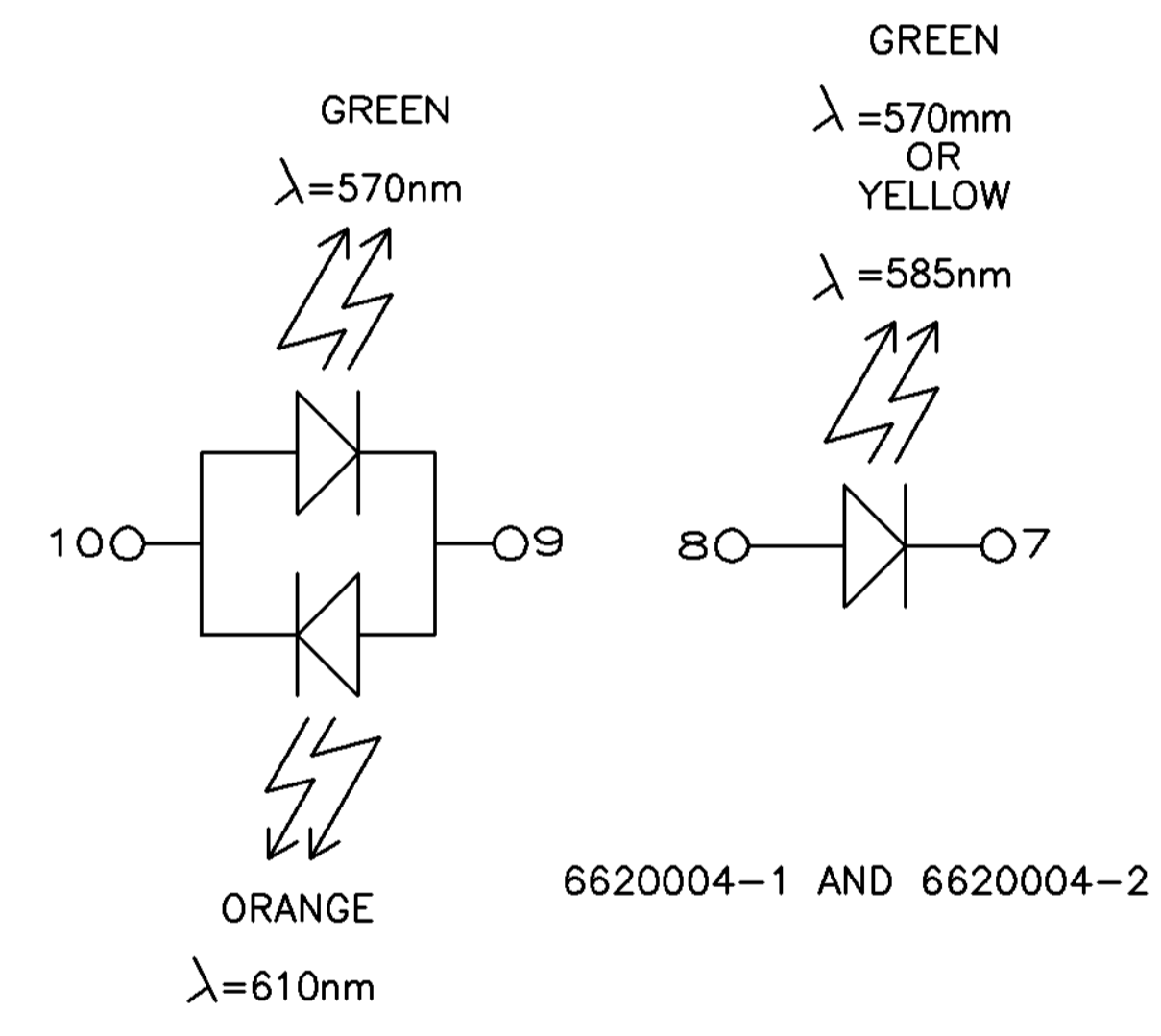
OBsolete	GREEN	GREEN	1000 pF, 3kV	1-6620004-1
	GREEN/ORANGE	YELLOW	1000 pF, 3kV	<del>6620004-2</del>
	GREEN/ORANGE	YELLOW	1000 pF, 2kV	6620004-1
	LED 2	LED 1	DECOUPLING CAPACITOR	PART NUMBER

THIS DRAWING IS A CONTROLLED DOCUMENT.		OWN: R.GRZYBOWSKI 24JUN2005	trp CONNECTOR DONGGUAN CHINA	
DIMENSIONS: MM		CHK: P.DAMATO 24JUN2005	RJ45 OVER DUAL USB	
TOLERANCES UNLESS OTHERWISE SPECIFIED:		APVD: S.FLICKINGER 24JUN2005	UR204P12, 10/100 CIRCUIT, W/ LEDS	
0 PLC	± -	MODEL NAME: MAGJACK	SIZE: A1	RESTRICTED TO
1 PLC	± -	OVER USB NON-PoE	SCALE: NTS	REV: G
2 PLC	± 0.25			
3 PLC	± 0.25			
4 PLC	± -			
ANGLES	± -			
APPLICATION SPEC				
PRODUCT SPEC: 108-2100		CUSTOMER DRAWING	SCALE: NTS	SHEET 1 OF 2



R1 - R4 = 75 OHMS, 1/16 W, 5% RESISTORS.  
 C1 = 1000pF, 2kV DECOUPLING CAPACITOR FOR 6620004-1  
 C1 = 1000pF, 3kV DECOUPLING CAPACITOR FOR 6620004-2 AND -11



THIS DRAWING IS A CONTROLLED DOCUMENT.		DRN: R.GRZYBOWSKI 24JUN2005	 DONGGUAN CHINA
DIMENSIONS: MM		CHK: P.DAMATO 24JUN2005	
TOLERANCES UNLESS OTHERWISE SPECIFIED:		APP'D: S.FLICKINGER 24JUN2005	
0 PLC ± - 1 PLC ± - 2 PLC ± 0.25 3 PLC ± 0.25 4 PLC ± - ANGLES ± - APPLICATION SPEC		MODEL NAME: MAGJACK	
PRODUCT SPEC: 108-2100		DESC: RJ45 OVER DUAL USB UR204P12, 10/100 CIRCUIT, W/ LEDS	RESTRICTED TO: -
CUSTOMER DRAWING		SCALE: NTS	SHEET: 2 OF 2
		REV: G	