



Chipsmall Limited consists of a professional team with an average of over 10 year of expertise in the distribution of electronic components. Based in Hongkong, we have already established firm and mutual-benefit business relationships with customers from,Europe,America and south Asia,supplying obsolete and hard-to-find components to meet their specific needs.

With the principle of "Quality Parts,Customers Priority,Honest Operation,and Considerate Service",our business mainly focus on the distribution of electronic components. Line cards we deal with include Microchip,ALPS,ROHM,Xilinx,Pulse,ON,Everlight and Freescale. Main products comprise IC,Modules,Potentiometer,IC Socket,Relay,Connector.Our parts cover such applications as commercial,industrial, and automotives areas.

We are looking forward to setting up business relationship with you and hope to provide you with the best service and solution. Let us make a better world for our industry!



Contact us

Tel: +86-755-8981 8866 Fax: +86-755-8427 6832

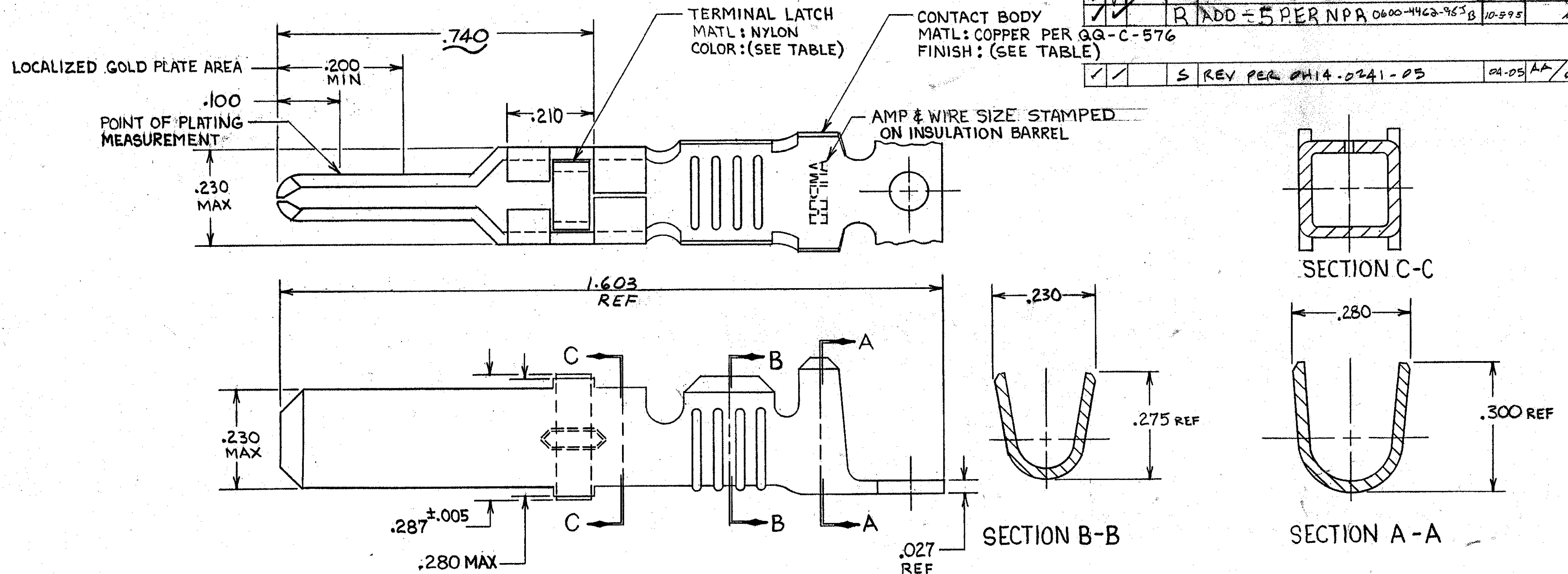
Email & Skype: info@chipsmall.com Web: www.chipsmall.com

Address: A1208, Overseas Decoration Building, #122 Zhenhua RD., Futian, Shenzhen, China



THIS DRAWING IS UNPUBLISHED. RELEASED FOR PUBLICATION
 © COPYRIGHT 19 BY AMP INCORPORATED, HARRISBURG, PA. ALL INTERNATIONAL RIGHTS RESERVED. AMP PRODUCTS MAY BE COVERED BY U.S. AND FOREIGN PATENTS AND/OR PATENTS PENDING.

REVISIONS						
P	F	ZONE	LTR	DESCRIPTION	DATE	APPROVED
✓	✓		L	REDRAWN & REVISED PER ECN R-1451	9-30-85	REF [Signature]
✓	✓		M	REV. / ECN R-1546	3-1-86	MAN [Signature]
✓	✓		N	OBSOLETE - 3 PER R-2760	1-14-87	MAN [Signature]
✓	✓		P	REV PER ECN DF-5920	11-25-82	SV [Signature]
✓	✓		R	ADD - 5 PER NPA 0600-4462-963 B	10-5-95	AMP
✓	✓		S	REV PER 014-0241-05	04-05	AA/OE



- 1. REELED FOR USE WITH STANDARD APPLICATORS.
- 2. PLATED WITH .000100 MIN SILVER PER QQ-S-365.
- 3. PLATED WITH .000015 MIN GOLD PER MIL-G-45204 IN THE LOCALIZED GOLD PLATE AREA, GOLD FLASH ON THE REMAINDER, OVER .000030 MIN NICKEL PER QQ-N-290.
- 4. PLATED WITH .000030 MIN GOLD PER MIL-G-45204 IN THE LOCALIZED GOLD PLATE AREA, GOLD FLASH ON THE REMAINDER, OVER .000030 MIN NICKEL PER QQ-N-290.
- 5. PLATED WITH .000050 MIN 93-7% TIN-LEAD ALLOY OVER .000030 MIN NICKEL PER QQ-N-290.
- 6. WIRE RANGE = 10 AWG.
- 7. INSULATION RANGE = .190 - .220 DIA.
- 8. REELED FOR USE WITH QUICK-CHANGE APPLICATOR.
- 9. PLATED WITH .000050 MIN TIN PER ASTM-B-545 OVER .000030 MIN NICKEL PER QQ-N-290.

BLACK	1	66260-5	66254-6
BLACK	1	66260-2	66254-5
NATURAL	2	66260-4	66254-4
BLACK	3	OBSOLETE	66254-3
BLACK	4	66260-2	66254-2
BLACK	5	66260-1	66254-1
TERMINAL LATCH COLOR	FINISH	L.P. ASS'Y P/N REF	STRIP ASS'Y P/N

UNLESS OTHERWISE SPECIFIED DIMENSIONS ARE IN INCHES. TOLERANCES ON: DECIMALS ±.010 ANGLES ±	CONTRACT NO		AMP AMP INCORPORATED Harrisburg, Pa. 17105	
	MATERIAL SEE CALLOUT			
FINISH SEE DASH NO	DR	APPD	NAME MALE TYPE XII GROUND CONTACT STRIP ASSEMBLY	
	CHG	APPD		
OTHER APPD		DSGN APPD	SIZE	FSCM NO
			C	00779
			DRAWING NO 66254	
			SCALE	SHEET
			NTS	

66254