



Chipsmall Limited consists of a professional team with an average of over 10 year of expertise in the distribution of electronic components. Based in Hongkong, we have already established firm and mutual-benefit business relationships with customers from,Europe,America and south Asia,supplying obsolete and hard-to-find components to meet their specific needs.

With the principle of "Quality Parts,Customers Priority,Honest Operation,and Considerate Service",our business mainly focus on the distribution of electronic components. Line cards we deal with include Microchip,ALPS,ROHM,Xilinx,Pulse,ON,Everlight and Freescale. Main products comprise IC,Modules,Potentiometer,IC Socket,Relay,Connector.Our parts cover such applications as commercial,industrial, and automotives areas.

We are looking forward to setting up business relationship with you and hope to provide you with the best service and solution. Let us make a better world for our industry!



Contact us

Tel: +86-755-8981 8866 Fax: +86-755-8427 6832

Email & Skype: info@chipsmall.com Web: www.chipsmall.com

Address: A1208, Overseas Decoration Building, #122 Zhenhua RD., Futian, Shenzhen, China



HDTV AUDIO/VIDEO CLOCK SOURCE

ICS662-03

Description

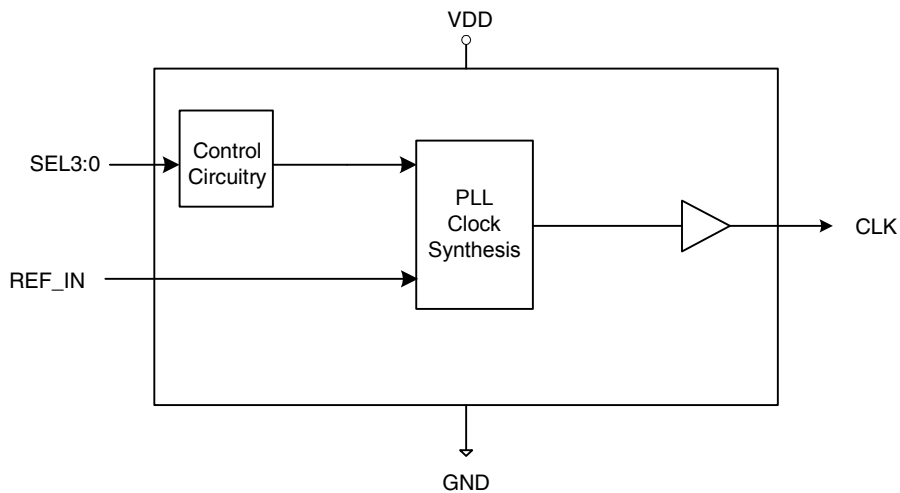
The ICS662-03 provides synchronous clock generation for audio sampling clock rates derived from an HDTV stream. The device uses the latest PLL technology to provide superior phase noise and long term jitter performance. The device also supports a 27 MHz output clock for video MPEG applications from an HDTV reference clock.

Please contact IDT if you have a requirement for an input and output frequency not included here.

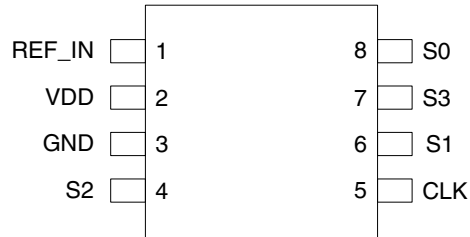
Features

- Packaged in 8-pin SOIC
- Pb (lead) free package, RoHS compliant
- HDTV clock input
- Low phase noise
- Exact (0 ppm) multiplication ratios
- Support for 256 and 384 times sampling rate
- Supports 27 MHz output for video (MPEG)

Block Diagram



Pin Assignment



8 pin (150 mil) SOIC

Output Clock Selection Table

S3	S2	S1	S0	Input Frequency (MHz)	Output Frequency (MHz)
0	0	0	0	74.175824	8.192
0	0	0	1	74.175824	11.2896
0	0	1	0	74.175824	12.288
0	0	1	1	74.175824	24.576
0	1	0	0	74.175824	16.9344
0	1	0	1	74.175824	18.432
0	1	1	0	74.175824	36.864
0	1	1	1	74.175824	27
1	0	0	0	74.25	8.192
1	0	0	1	74.25	11.2896
1	0	1	0	74.25	12.288
1	0	1	1	74.25	24.576
1	1	0	0	74.25	16.9344
1	1	0	1	74.25	18.432
1	1	1	0	74.25	36.864
1	1	1	1	74.25	27

Pin Descriptions

Pin Number	Pin Name	Pin Type	Pin Description
1	REF_IN	Input	Connect this pin to a HDTV clock input.
2	VDD	Power	Connect to +3.3 V.
3	GND	Power	Connect to ground.
4	S2	Input	Output frequency selection. Determines output frequency per table above. On chip pull-up.
5	CLK	Output	Clock output.
6	S1	Input	Output frequency selection. Determines output frequency per table above. On chip pull-up.
7	S3	Input	Output frequency selection. Determines output frequency per table above. On chip pull-up.
8	S0	Input	Output frequency selection. Determines output frequency per table above. On chip pull-up.

Application Information

Series Termination Resistor

Clock output traces should use series termination. To series terminate a 50Ω trace (a commonly used trace impedance), place a 33Ω resistor in series with the clock line, as close to the clock output pin as possible. The nominal impedance of the clock output is 20Ω.

Decoupling Capacitors

As with any high performance mixed-signal IC, the ICS662-03 must be isolated from system power supply noise to perform optimally.

Decoupling capacitors of 0.01μF must be connected between VDD (pin 2) and the PCB ground plane (pin 3).

PCB Layout Recommendations

For optimum device performance and lowest output phase noise, the following guidelines should be observed.

1) Each 0.01μF decoupling capacitor should be mounted on

the component side of the board as close to the VDD pin as possible. No vias should be used between decoupling capacitor and VDD pin. The PCB trace to VDD pin should be kept as short as possible, as should the PCB trace to the ground via. Distance of the ferrite bead and bulk decoupling from the device is less critical.

2) To minimize EMI and obtain the best signal integrity, the 33Ω series termination resistor should be placed close to the clock output.

3) An optimum layout is one with all components on the same side of the board, minimizing vias through other signal layers (the ferrite bead and bulk decoupling capacitor can be mounted on the back). Other signal traces should be routed away from the ICS662-03. This includes signal traces just underneath the device, or on layers adjacent to the ground plane layer used by the device.

Absolute Maximum Ratings

Stresses above the ratings listed below can cause permanent damage to the ICS662-03. These ratings, which are standard values for IDT commercially rated parts, are stress ratings only. Functional operation of the device at these or any other conditions above those indicated in the operational sections of the specifications is not implied. Exposure to absolute maximum rating conditions for extended periods can affect product reliability. Electrical parameters are guaranteed only over the recommended operating temperature range.

Item	Rating
Supply Voltage, VDD	5.5 V
All Inputs and Outputs	-0.5 V to VDD+0.5 V
Ambient Operating Temperature	0 to +70° C
Storage Temperature	-65 to +150° C
Junction Temperature	125° C
Soldering Temperature	260° C

Recommended Operation Conditions

Parameter	Min.	Typ.	Max.	Units
Ambient Operating Temperature	0		+70	°C
Power Supply Voltage (measured in respect to GND)	+3.0		+3.6	V

DC Electrical Characteristics

Unless stated otherwise, $V_{DD} = 3.3\text{ V} \pm 10\%$, Ambient Temperature 0 to $+70^{\circ}\text{C}$

Parameter	Symbol	Conditions	Min.	Typ.	Max.	Units
Operating Voltage	VDD		3.0	3.3	3.6	V
Supply Current	IDD	No Load, first 8 modes		25	29	mA
		No Load, last 8 modes		16	21	mA
Input High Voltage	V_{IH}		2			V
Input Low Voltage	V_{IL}				0.8	V
Output High Voltage	V_{OH}	$I_{OH} = -4\text{ mA}$	VDD-0.4			V
Output High Voltage	V_{OH}	$I_{OH} = -12\text{ mA}$	2.4			V
Output Low Voltage	V_{OL}	$I_{OL} = 12\text{ mA}$			0.4	V
Short Circuit Current	I_{OS}	Each output		± 50		mA
Nominal Output Impedance	Z_{OUT}			20		Ω
Input Capacitance	C_{IN}	input pins		7		pF
Internal pull-up resistor	R_{PU}	S2 pin		510		k Ω
		S3, S1, S0 pins		120		k Ω

AC Electrical Characteristics

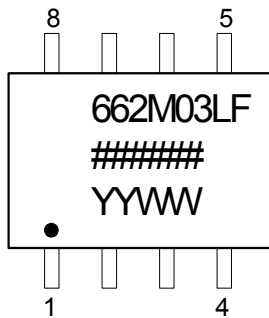
Unless stated otherwise, $V_{DD} = 3.3\text{ V} \pm 10\%$, Ambient Temperature 0 to $+70^{\circ}\text{C}$

Parameter	Symbol	Conditions	Min.	Typ.	Max.	Units
Output Clock Rise Time	t_{OR}	20% to 80%, 15 pF load		1.2	1.5	ns
Output Clock Fall Time	t_{OF}	80% to 20%, 15 pF load		1.0	1.5	ns
Output Duty Cycle	t_{OD}	at VDD/2, 15 pF load	45		55	%
Jitter, short term	t_{p-P}	15 pF load		± 75		ps
Jitter, long term		27M output, 15 pF load, first 8 modes, 1000 cycles delay		900		ps
		27M output, 15 pF load, last 8 modes, 1000 cycles delay		600		ps
Frequency Synthesis Error				0		ppm

Thermal Characteristics

Parameter	Symbol	Conditions	Min.	Typ.	Max.	Units
Thermal Resistance Junction to Ambient	θ_{JA}	Still air		150		$^{\circ}\text{C/W}$
	θ_{JA}	1 m/s air flow		140		$^{\circ}\text{C/W}$
	θ_{JA}	3 m/s air flow		120		$^{\circ}\text{C/W}$
Thermal Resistance Junction to Case	θ_{JC}			40		$^{\circ}\text{C/W}$

Marking Diagram (ICS662M-03LF)

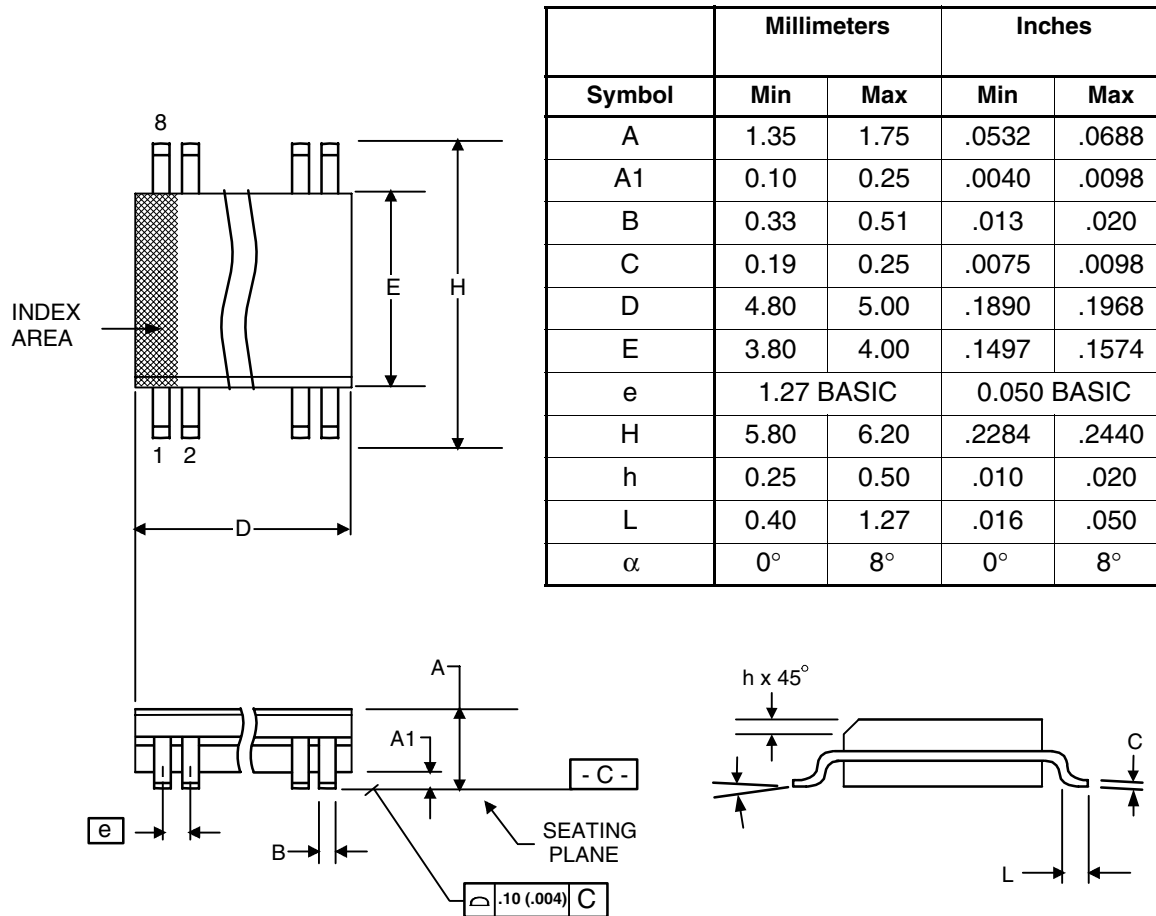


Notes:

1. ##### is the lot number.
2. YYWW is the last two digits of the year and week that the part was assembled.
3. "LF" denotes Pb (lead) free package.
4. Bottom marking: (origin). Origin = country of origin if not USA.

Package Outline and Package Dimensions (8-pin SOIC, 150 Mil. Body)

Package dimensions are kept current with JEDEC Publication No. 95



Ordering Information

Part / Order Number	Marking	Shipping Packaging	Package	Temperature
662M-03LF	see page 5	Tubes	8-pin SOIC	0 to +70° C
662M-03LFT		Tape and Reel	8-pin SOIC	0 to +70° C

"LF" suffix to the part number are the Pb-Free configuration and are RoHS compliant.

While the information presented herein has been checked for both accuracy and reliability, Integrated Device Technology (IDT) assumes no responsibility for either its use or for the infringement of any patents or other rights of third parties, which would result from its use. No other circuits, patents, or licenses are implied. This product is intended for use in normal commercial applications. Any other applications such as those requiring extended temperature range, high reliability, or other extraordinary environmental requirements are not recommended without additional processing by IDT. IDT reserves the right to change any circuitry or specifications without notice. IDT does not authorize or warrant any IDT product for use in life support devices or critical medical instruments.

Innovate with IDT and accelerate your future networks. Contact:

www.IDT.com

For Sales

800-345-7015
408-284-8200
Fax: 408-284-2775

For Tech Support

www.idt.com/go/clockhelp

Corporate Headquarters

Integrated Device Technology, Inc.
www.idt.com



www.IDT.com