



Chipsmall Limited consists of a professional team with an average of over 10 year of expertise in the distribution of electronic components. Based in Hongkong, we have already established firm and mutual-benefit business relationships with customers from,Europe,America and south Asia,supplying obsolete and hard-to-find components to meet their specific needs.

With the principle of "Quality Parts,Customers Priority,Honest Operation,and Considerate Service",our business mainly focus on the distribution of electronic components. Line cards we deal with include Microchip,ALPS,ROHM,Xilinx,Pulse,ON,Everlight and Freescale. Main products comprise IC,Modules,Potentiometer,IC Socket,Relay,Connector.Our parts cover such applications as commercial,industrial, and automotives areas.

We are looking forward to setting up business relationship with you and hope to provide you with the best service and solution. Let us make a better world for our industry!



Contact us

Tel: +86-755-8981 8866 Fax: +86-755-8427 6832

Email & Skype: info@chipsmall.com Web: www.chipsmall.com

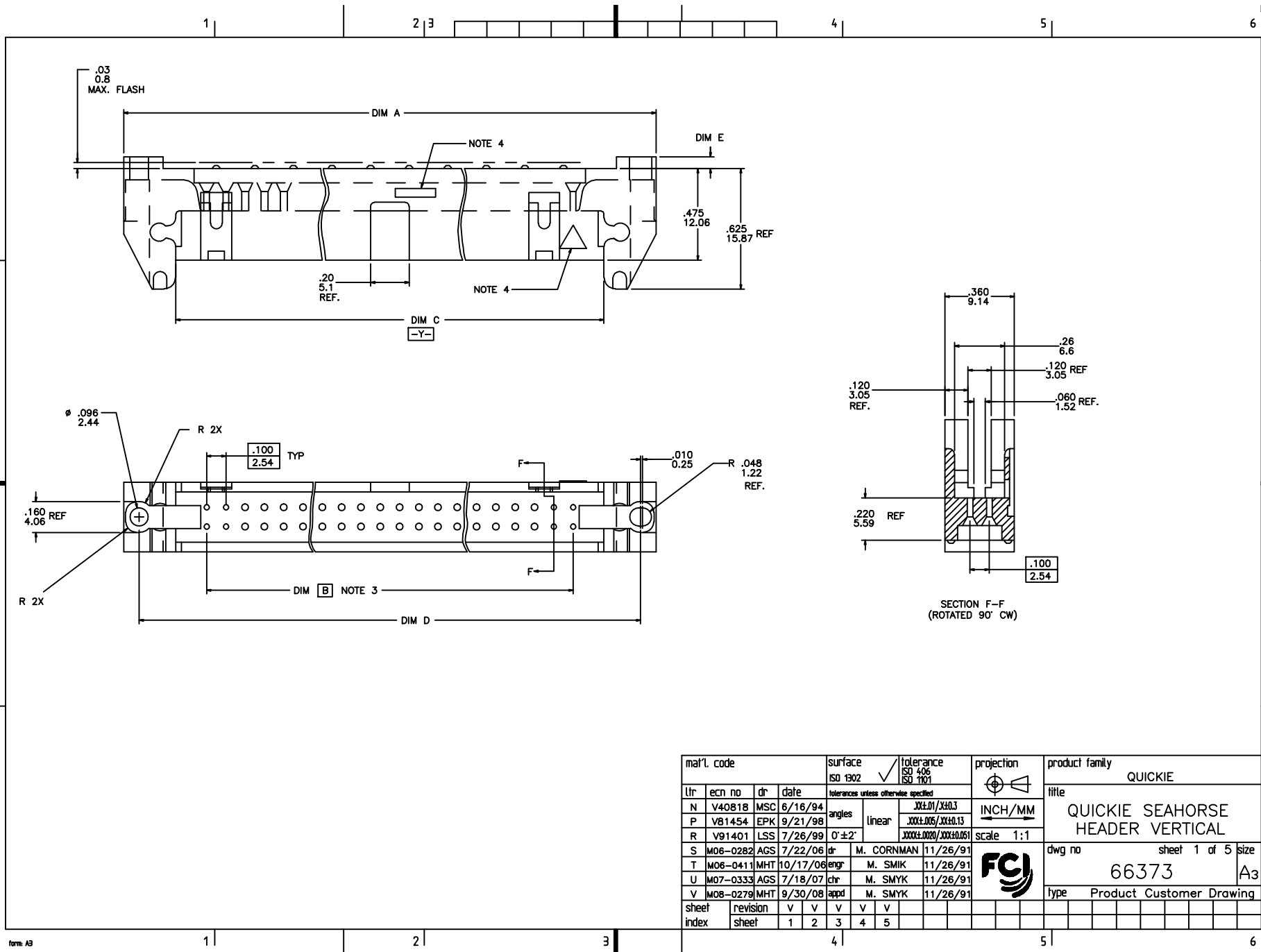
Address: A1208, Overseas Decoration Building, #122 Zhenhua RD., Futian, Shenzhen, China





FCIconnect.com

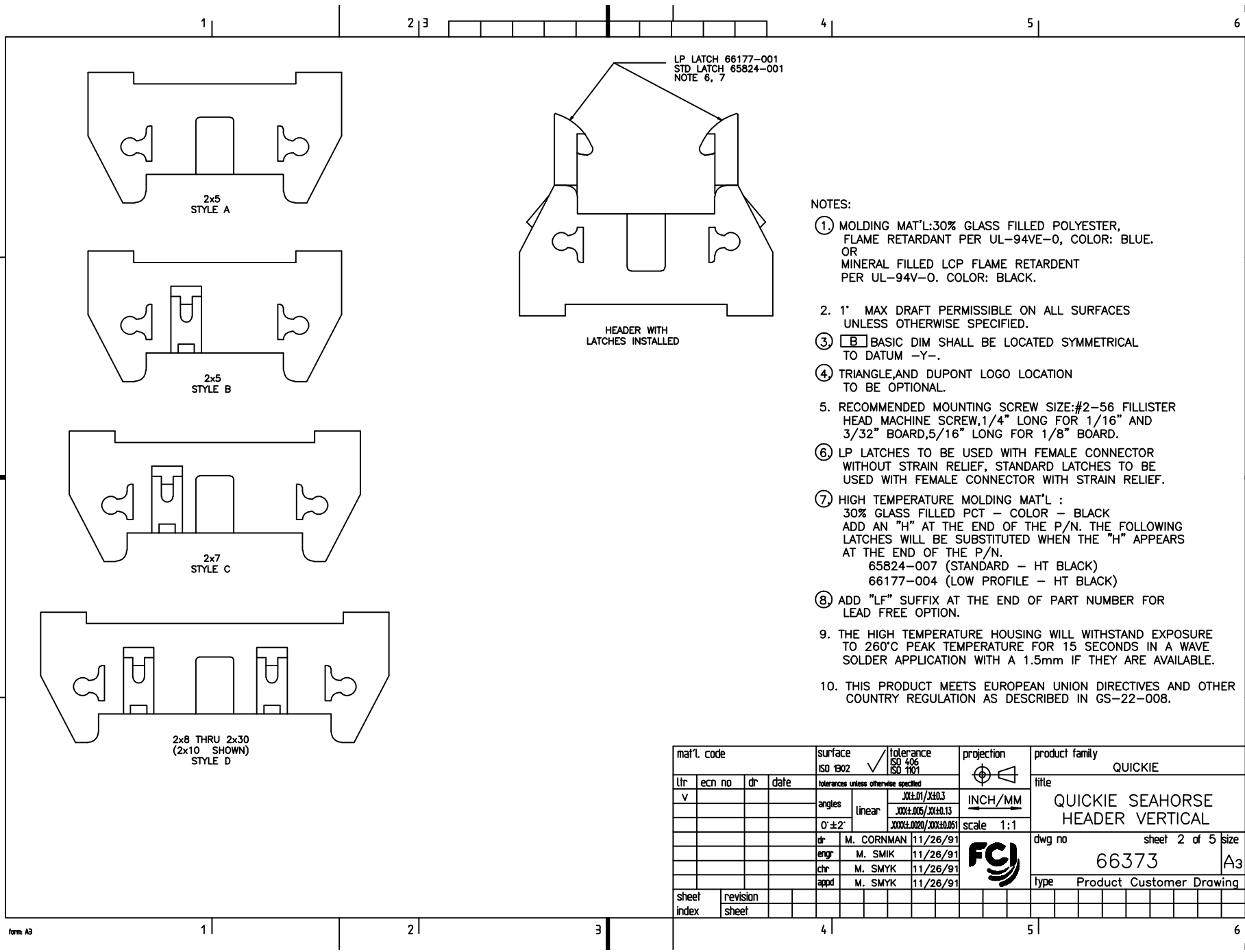
Copyright FCI



mat'l. code				surface ISO 1302		tolerance ISO 406 ISO 7001		projection ISO 1001		product family QUICKIE	
ltr	ecn no	dr	date	tolerances unless otherwise specified							
N	V40818	MSC	6/16/94	angles	XXX.X/XXX.3		INCH/MM		title QUICKIE SEAHORSE HEADER VERTICAL		
P	V81454	EPK	9/21/98	linear	XXX.X/XXX.13		scale 1:1		dwg no 66373		
R	V91401	LSS	7/26/99	0°±2'	XXX.X/XXX.051				sheet 1 of 5 size A3		
S	M08-0282	AGS	7/22/06	dr	M. CORNMAN	11/26/91	FCI		type Product Customer Drawing		
T	M06-0411	MHT	10/17/06	engr	M. SMIK	11/26/91					
U	M07-0333	AGS	7/18/07	chr	M. SMYK	11/26/91					
V	M08-0279	MHT	9/30/08	appd	M. SMYK	11/26/91					
sheet	revision	V	V	V	V	V					
index	sheet	1	2	3	4	5					



Copyright FCJ



NOTES:

- ① MOLDING MAT'L: 30% GLASS FILLED POLYESTER, FLAME RETARDANT PER UL-94VE-0, COLOR: BLUE. OR MINERAL FILLED LCP FLAME RETARDANT PER UL-94V-0. COLOR: BLACK.
2. 1' MAX DRAFT PERMISSIBLE ON ALL SURFACES UNLESS OTHERWISE SPECIFIED.
- ③ BASIC DIM SHALL BE LOCATED SYMMETRICAL TO DATUM -Y-.
- ④ TRIANGLE, AND DUPONT LOGO LOCATION TO BE OPTIONAL.
5. RECOMMENDED MOUNTING SCREW SIZE: #2-56 FILLISTER HEAD MACHINE SCREW, 1/4" LONG FOR 1/16" AND 3/32" BOARD, 5/16" LONG FOR 1/8" BOARD.
- ⑥ LP LATCHES TO BE USED WITH FEMALE CONNECTOR WITHOUT STRAIN RELIEF, STANDARD LATCHES TO BE USED WITH FEMALE CONNECTOR WITH STRAIN RELIEF.
- ⑦ HIGH TEMPERATURE MOLDING MAT'L : 30% GLASS FILLED PCT - COLOR - BLACK
ADD AN "H" AT THE END OF THE P/N. THE FOLLOWING LATCHES WILL BE SUBSTITUTED WHEN THE "H" APPEARS AT THE END OF THE P/N.
65824-007 (STANDARD - HT BLACK)
66177-004 (LOW PROFILE - HT BLACK)
- ⑧ ADD "LF" SUFFIX AT THE END OF PART NUMBER FOR LEAD FREE OPTION.
9. THE HIGH TEMPERATURE HOUSING WILL WITHSTAND EXPOSURE TO 260°C PEAK TEMPERATURE FOR 15 SECONDS IN A WAVE SOLDER APPLICATION WITH A 1.5mm IF THEY ARE AVAILABLE.
10. THIS PRODUCT MEETS EUROPEAN UNION DIRECTIVES AND OTHER COUNTRY REGULATION AS DESCRIBED IN GS-22-008.

mat'l. code		surface	tolerance	projection	product family
		ISO 406	ISO 1101		QUICKIE
ltr	ec'n no	dr	date	title	
v				QUICKIE SEAHORSE HEADER VERTICAL	
		angles	linear	INCH/MM	dwg no
		0° ± 2'	XXX±.01/XXX±0.3 XXX±.005/XXX±0.13 XXX±.0020/XXX±0.051	scale 1:1	sheet 2 of 5 size
		dr	M. CORNMAN 11/26/91		A3
		engr	M. SMIK 11/26/91		66373
		chr	M. SMYK 11/26/91		
		appd	M. SMYK 11/26/91		type Product Customer Drawing
sheet	revision				
index	sheet				

PRODUCT NO. NOTE B	SIZE	DIM A	DIM B	DIM C	DIM D	DIM E	LATCHES NOTE 6	STYLE	RETENTIVE HOLES
66373-085 THRU 66373-100	UNAVAILABLE								
66373-101	2x5	1.260/32,000	.400/10,160	.720/18,290	1.100/27,940	.060/1,520	NO	A	YES
-102	2x7	1.460/37,080	.600/15,240	.920/23,370	1.300/33,020			C	
-103	2x8	1.560/39,620	.700/17,780	1.020/25,910	1.400/35,560			D	
-104	2x10	1.760/44,700	.900/22,860	1.220/30,990	1.600/40,640				
-105	2x13	2.060/52,320	1.200/30,480	1.520/38,610	1.900/48,260				
-106	2x17	2.460/62,480	1.600/40,460	1.920/48,770	2.300/58,420				
-107	2x20	2.760/70,100	1.900/48,260	2.220/56,290	2.600/76,040				
-108	2x25	3.260/82,800	2.400/60,960	2.720/69,090	3.100/78,740				
-109	2x30	3.760/95,500	2.900/73,660	3.220/81,790	3.600/91,440		NO	D	
-110	2x5	1.260/32,000	.400/10,160	.720/18,290	1.100/27,940		STD	A	
-111	2x7	1.460/37,080	.600/15,240	.920/23,370	1.300/33,020			C	
-112	2x8	1.560/39,620	.700/17,780	1.020/25,910	1.400/35,560			D	
-113	2x10	1.760/44,700	.900/22,860	1.220/30,990	1.600/40,640				
-114	2x13	2.060/52,320	1.200/30,480	1.520/38,610	1.900/48,260				
-115	2x17	2.460/62,480	1.600/40,460	1.920/48,770	2.300/58,420				
-116	2x20	2.760/70,100	1.900/48,260	2.220/56,290	2.600/76,040				
-117	2x25	3.260/82,800	2.400/60,960	2.720/69,090	3.100/78,740				
-118	2x30	3.760/95,500	2.900/73,660	3.220/81,790	3.600/91,440		STD	D	
-119	2x5	1.260/32,000	.400/10,160	.720/18,290	1.100/27,940		LP	A	
-120	2x7	1.460/37,080	.600/15,240	.920/23,370	1.300/33,020		LP	C	
-121	2x8	1.560/39,620	.700/17,780	1.020/25,910	1.400/35,560	.060/1,520	LP	D	
-122	2x10	1.760/44,700	.900/22,860	1.220/30,990	1.600/40,640	.060/1,520	LP	D	
-123	2x13	2.060/52,320	1.200/30,480	1.520/38,610	1.900/48,260				
-124	2x17	2.460/62,480	1.600/40,460	1.920/48,770	2.300/58,420				
-125	2x20	2.760/70,100	1.900/48,260	2.220/56,290	2.600/76,040				
-126	2x25	3.260/82,800	2.400/60,960	2.720/69,090	3.100/78,740				
-127	2x30	3.760/95,500	2.900/73,660	3.220/81,790	3.600/91,440		LP	D	
-128	2x5	1.260/32,000	.400/10,160	.720/18,290	1.100/27,940		NO	B	
-129	2x5	1.260/32,000	.400/10,160	.720/18,290	1.100/27,940		STD	B	
66373-130	2x5	1.260/32,000	.400/10,160	.720/18,290	1.100/27,940	.060/1,520	LP	B	YES

mat'l. code		surface <input checked="" type="checkbox"/> ISO 1902 <input type="checkbox"/> ISO 2101		tolerance ISO 406 ISO 2101		projection		product family QUICKIE	
ltr	ec'n no	dr	date	tolerances unless otherwise specified		INCH/MM		title QUICKIE SEAHORSE HEADER VERTICAL	
v				angles	linear	scale 1:1		dwg no 66373 sheet 3 of 5 size A3	
				0'±2'				type Product Customer Drawing	
				dr	M. CORNMAN	11/26/91			
				engr	M. SMIK	11/26/91			
				chr	M. SMYK	11/26/91			
				appd	M. SMYK	11/26/91			
sheet index	revision sheet								



Copyright FCJ

PRODUCT NO. NOTE 8	SIZE	DIM A	DIM B	DIM C	DIM D	DIM E	LATCHES NOTE 6	STYLE	RETENTIVE HOLES
66373-131	2x5	1.260/32,000	.400/10,160	.720/18,290	1.100/27,940	.105/2,670	NO	A	YES
-132	2x7	1.460/37,080	.600/15,240	.920/23,370	1.300/33,020			C	
-133	2x8	1.560/39,620	.700/17,780	1.020/25,910	1.400/35,560			D	
-134	2x10	1.760/44,700	.900/22,860	1.220/30,990	1.600/40,640			D	
-135	2x13	2.060/52,320	1.200/30,480	1.520/38,610	1.900/48,260			D	
-136	2x17	2.460/62,480	1.600/40,460	1.920/48,770	2.300/58,420		NO	D	
-137	2x20	2.760/70,100	1.900/48,260	2.220/56,290	2.600/76,040		NO	D	
-138	2x25	3.260/82,800	2.400/60,960	2.720/69,090	3.100/78,740		NO	D	
-139	2x30	3.760/95,500	2.900/73,660	3.220/81,790	3.600/91,440		NO	D	
-140	2x5	1.260/32,000	.400/10,160	.720/18,290	1.100/27,940		STD	A	
-141	2x7	1.460/37,080	.600/15,240	.920/23,370	1.300/33,020			C	
-142	2x8	1.560/39,620	.700/17,780	1.020/25,910	1.400/35,560			D	
-143	2x10	1.760/44,700	.900/22,860	1.220/30,990	1.600/40,640				
-144	2x13	2.060/52,320	1.200/30,480	1.520/38,610	1.900/48,260				
-145	2x17	2.460/62,480	1.600/40,460	1.920/48,770	2.300/58,420				
-146	2x20	2.760/70,100	1.900/48,260	2.220/56,290	2.600/76,040				
-147	2x25	3.260/82,800	2.400/60,960	2.720/69,090	3.100/78,740				
-148	2x30	3.760/95,500	2.900/73,660	3.220/81,790	3.600/91,440		STD	D	
-149	2x5	1.260/32,000	.400/10,160	.720/18,290	1.100/27,940		LP	A	
-150	2x7	1.460/37,080	.600/15,240	.920/23,370	1.300/33,020			C	
-151	2x8	1.560/39,620	.700/17,780	1.020/25,910	1.400/35,560			D	
-152	2x10	1.760/44,700	.900/22,860	1.220/30,990	1.600/40,640				
-153	2x13	2.060/52,320	1.200/30,480	1.520/38,610	1.900/48,260				
-154	2x17	2.460/62,480	1.600/40,460	1.920/48,770	2.300/58,420				
-155	2x20	2.760/70,100	1.900/48,260	2.220/56,290	2.600/76,040				
-156	2x25	3.260/82,800	2.400/60,960	2.720/69,090	3.100/78,740				
-157	2x30	3.760/95,500	2.900/73,660	3.220/81,790	3.600/91,440	.105/2,670	LP	D	
-158	2x5	1.260/32,000	.400/10,160	.720/18,290	1.100/27,940	.105/2,670	NO	B	
-159	2x5	1.260/32,000	.400/10,160	.720/18,290	1.100/27,940	.105/2,670	STD	B	
-160	2x5	1.260/32,000	.400/10,160	.720/18,290	1.100/27,940	.105/2,670	LP	B	
-161	2x18	2.560/65,020	1.700/43,180	2.020/51,310	2.400/60,960	.060/1,520	NO	D	
-162						.060/1,520	STD		
-163						.060/1,520	LP		
-164						.105/2,670	NO		
-165						.105/2,670	STD		
66373-166	2x18	2.560/65,020	1.700/43,180	2.020/51,310	2.400/60,960	.105/2,670	LP	D	YES



FCJconnect.com

Copyright FCJ

mat'l. code		surface	tolerance	projection	product family
ISO 9001		ISO 9001	ISO 9001		QUICKIE
ltr	ecn no	dr	date	title	
V				QUICKIE SEAHORSE HEADER VERTICAL	
angles		linear	linear	INCH/MM	scale 1:1
0° ± 2'		XXX±.01/XXX.03	XXX±.006/XXX.013		
		XXX±.0020/XXX.0051			
dr	M. CORNMAN	11/26/91		dwg no	sheet 4 of 5 size
engr	M. SMIK	11/26/91		66373	A3
chr	M. SMYK	11/26/91			
appd	M. SMYK	11/26/91			
sheet	revision			type Product Customer Drawing	
index	sheet				

form A3

PRODUCT NO. NOTE 8	SIZE	DIM A	DIM B	DIM C	DIM D	DIM E	LATCHES NOTE 6	STYLE	RETENTIVE HOLES
66373-167	2x12	1.960/49,780	1.100/27.940	1.420/36.070	1.800/45.720	.060/1,520	NO	D	YES
-168	2x15	2.260/57,400	1.400/35.560	1.720/43.690	2.100/53.340	.060/1,520			
-169	2x22	2.960/75,180	2.100/53.340	2.420/61.470	2.800/71.120	.060/1,520			
-170	2x12	1.960/49,780	1.100/27.940	1.420/36.070	1.800/45.720	.105/2,670			
-171	2x15	2.260/57,400	1.400/35.560	1.720/43.690	2.100/53.340	.105/2,670			
-172	2x22	2.960/75,180	2.100/53.340	2.420/61.470	2.800/71.120	.105/2,670	NO		
-173	2x12	1.960/49,780	1.100/27.940	1.420/36.070	1.800/45.720	.060/1,520	STD		
-174	2x15	2.260/57,400	1.400/35.560	1.720/43.690	2.100/53.340	.060/1,520			
-175	2x22	2.960/75,180	2.100/53.340	2.420/61.470	2.800/71.120	.060/1,520			
-176	2x12	1.960/49,780	1.100/27.940	1.420/36.070	1.800/45.720	.105/2,670			
-177	2x15	2.260/57,400	1.400/35.560	1.720/43.690	2.100/53.340	.105/2,670			
-178	2x22	2.960/75,180	2.100/53.340	2.420/61.470	2.800/71.120	.105/2,670	STD		
-179	2x12	1.960/49,780	1.100/27.940	1.420/36.070	1.800/45.720	.060/1,520	LP		
-180	2x15	2.260/57,400	1.400/35.560	1.720/43.690	2.100/53.340	.060/1,520			
-181	2x22	2.960/75,180	2.100/53.340	2.420/61.470	2.800/71.120	.060/1,520			
-182	2x12	1.960/49,780	1.100/27.940	1.420/36.070	1.800/45.720	.105/2,670			
-183	2x15	2.260/57,400	1.400/35.560	1.720/43.690	2.100/53.340	.105/2,670			
-184	2x22	2.960/75,180	2.100/53.340	2.420/61.470	2.800/71.120	.105/2,670	LP	D	YES
-201	2x5	1.260/32.00	.400/10.16	.720/18.29	1.100/27.94	.060/1,520	NO	A	NO
-204	2x10	1.760/44.70	.900/22.86	1.220/30.99	1.600/40.64	.060/1,520	NO	D	NO
-206	2x17	2.460/62.48	1.600/40.46	1.920/48.77	2.300/58.42	.060/1,520	NO	D	NO
-210	2x5	1.260/32.00	.400/10.16	.720/18.29	1.100/27.94	.060/1,520	STD	A	NO
-236	2x17	2.460/62.48	1.600/40.46	1.920/48.77	2.300/58.42	.105/2,670	NO	D	NO
66373-245	2x17	2.460/62.48	1.600/40.46	1.920/48.77	2.300/58.42	.105/2,670	STD	D	NO



FCJconnect.com

Copyright FCJ

mat'l. code		surface ISO 1302		tolerance ISO 406 ISO 7001		projection 		product family QUICKIE	
ltr	ecn no	dr	date	tolerances unless otherwise specified					
v				angles	linear	XXX±.01/XXX.03	INCH/MM		title QUICKIE SEAHORSE HEADER VERTICAL
				0'±2'		XXX±.006/XXX.013	scale 1:1		
				dr	M. CORNMAN	11/26/91			dwg no
				engr	M. SMIK	11/26/91			sheet 5 of 5 size
				chr	M. SMYK	11/26/91			66373 A3
				appd	M. SMYK	11/26/91			type Product Customer Drawing
sheet	revision								
index	sheet								

form A3