



Chipsmall Limited consists of a professional team with an average of over 10 year of expertise in the distribution of electronic components. Based in Hongkong, we have already established firm and mutual-benefit business relationships with customers from,Europe,America and south Asia,supplying obsolete and hard-to-find components to meet their specific needs.

With the principle of "Quality Parts,Customers Priority,Honest Operation,and Considerate Service",our business mainly focus on the distribution of electronic components. Line cards we deal with include Microchip,ALPS,ROHM,Xilinx,Pulse,ON,Everlight and Freescale. Main products comprise IC,Modules,Potentiometer,IC Socket,Relay,Connector.Our parts cover such applications as commercial,industrial, and automotives areas.

We are looking forward to setting up business relationship with you and hope to provide you with the best service and solution. Let us make a better world for our industry!



## Contact us

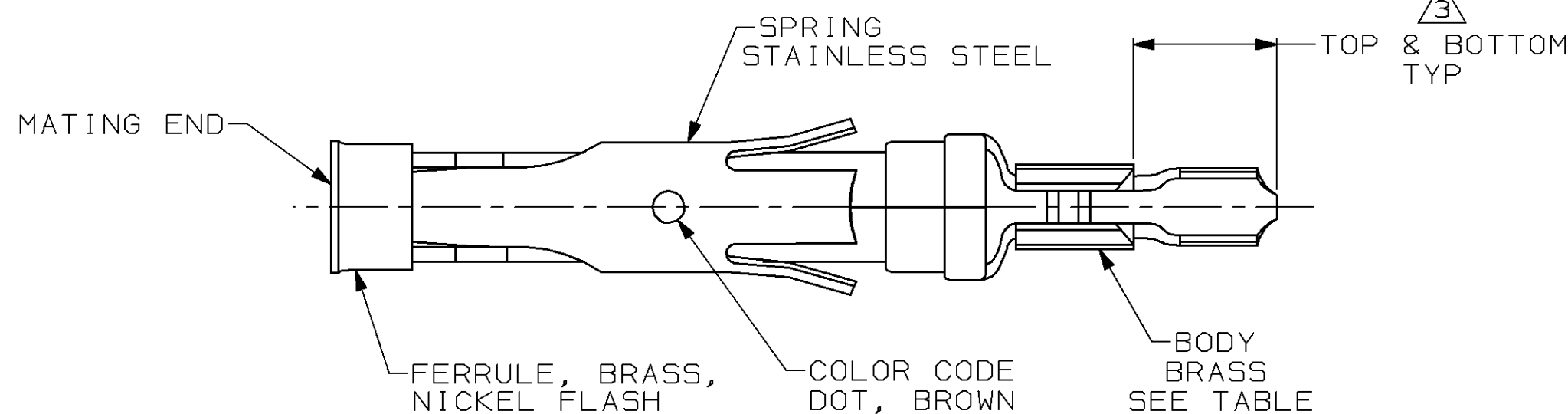
Tel: +86-755-8981 8866 Fax: +86-755-8427 6832

Email & Skype: info@chipsmall.com Web: www.chipsmall.com

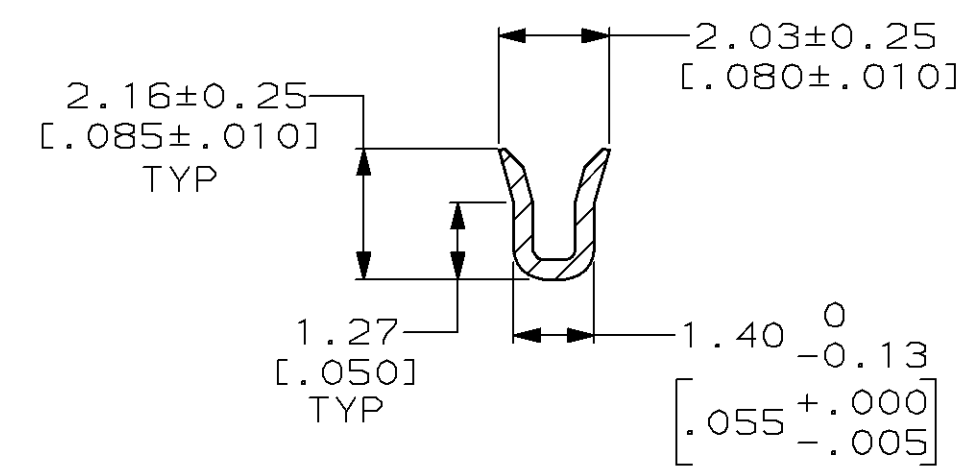
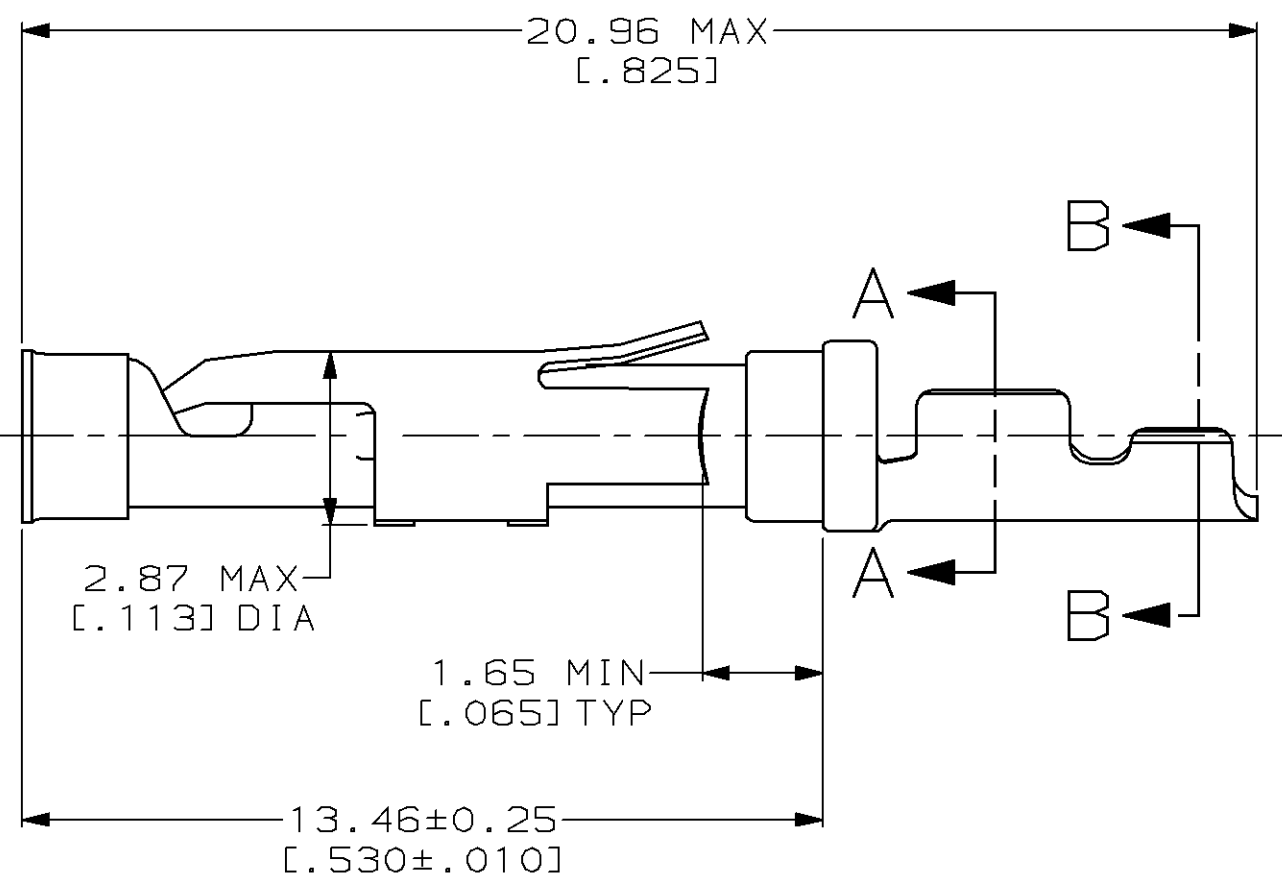
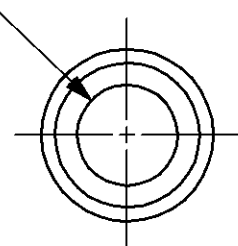
Address: A1208, Overseas Decoration Building, #122 Zhenhua RD., Futian, Shenzhen, China



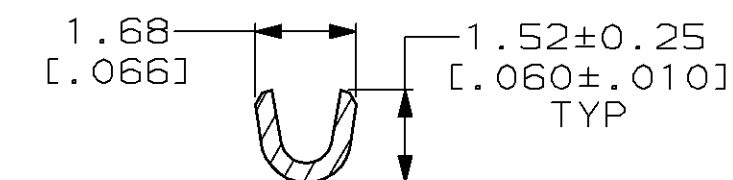
LOC	DIST	P	F	ZONE	LTR	DESCRIPTION	DATE	APPD
FT	47				K	REDRAWN & REV PER ECN BD3869	7-30-91	-
					L	ADDED -8 PER NPR 3597 & REV PER BD6295	06/03/92	GS
					M	OBSOLETE -8 PER EC 0020-608-96	18 DEC 96	GS
					N	REV PER EC 0320-137-97	20 AUG 97	PB



1.689±0.051 DIA  
[.0665±.0020]



SECTION A-A



SECTION B-B

- ① 0.76µm [.000030] MIN GOLD PER MIL-G-45204 ON MATING END FOR A LENGTH OF 5.08 [.200] MIN WITH GOLD FLASH ON THE REMAINDER OVER 0.76µm [.000030] MIN NICKEL PER QQ-N-290.
- ② 0.76µm [.000030] MIN GOLD PER MIL-G-45204 ON MATING END FOR A LENGTH OF 5.08 [.200] MIN WITH A UNIFORM GRADIENT TO 0.25µm [.000010] MIN GOLD PER MIL-G-45204 ON THE REMAINDER OVER 0.76µm [.000030] MIN NICKEL PER QQ-N-290.
- ③ GOLD PLATING NEED NOT APPEAR IN THIS AREA.
- 4. WIRE RANGE 26-30 AWG. INSULATION RANGE 0.36[.014]-0.76[.030].
- ⑤ 0.38µm [.000015] MIN GOLD PER MIL-G-45204 ON MATING END FOR A LENGTH OF 5.08 [.200] MIN, 1.27µm [.000050] MIN TIN-LEAD PER MIL-T-10727 FOR A LENGTH OF 5.69 [.224] MIN ON OPPOSITE END, BOTH OVER 1.27µm [.000050] MIN NICKEL PER QQ-N-290 ON ENTIRE CONTACT.

OBsolete	REV	STRIP P/N REF	PART NO
	⑤	1-66394-4	66405-8
	①	66394-4	66405-4
	②	66394-1	66405-1

DO NOT SCALE PRINT. UNLESS SPECIFIED DIMENSIONS IN mm [INCHES] TOLERANCES ON: 2 PLC DEC ± 0.13[.005] 3 PLC DEC ± - ANGLES ± -	DR 7-30-91 R.SHIREY CHK 9-19-91 R.STONE APPD 9-20-91 J.WESTMAN APPD 9-23-91 W.PARKER	AMP Incorporated Harrisburg, PA 17105-3608		
MATERIAL SEE CALLOUTS	PRODUCT SPEC -			NAME SOCKET ASSEMBLY, LOOSE PIECE, TYPE III+
FINISH SEE CALLOUTS	APPLICATION SPEC -	SIZE C	CAGE CODE 00779	DRAWING NO 66405
WEIGHT -		SCALE 8:1		SHEET 1 OF 1