



Chipsmall Limited consists of a professional team with an average of over 10 year of expertise in the distribution of electronic components. Based in Hongkong, we have already established firm and mutual-benefit business relationships with customers from,Europe,America and south Asia,supplying obsolete and hard-to-find components to meet their specific needs.

With the principle of “Quality Parts,Customers Priority,Honest Operation,and Considerate Service”,our business mainly focus on the distribution of electronic components. Line cards we deal with include Microchip,ALPS,ROHM,Xilinx,Pulse,ON,Everlight and Freescale. Main products comprise IC,Modules,Potentiometer,IC Socket,Relay,Connector.Our parts cover such applications as commercial,industrial, and automotives areas.

We are looking forward to setting up business relationship with you and hope to provide you with the best service and solution. Let us make a better world for our industry!



## Contact us

Tel: +86-755-8981 8866 Fax: +86-755-8427 6832

Email & Skype: info@chipsmall.com Web: www.chipsmall.com

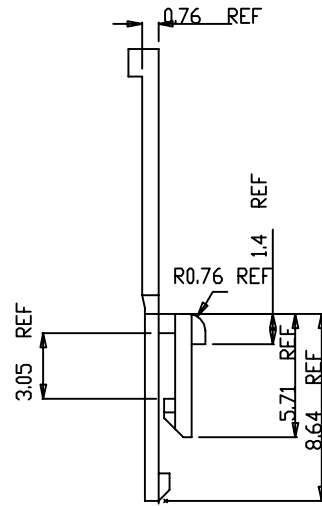
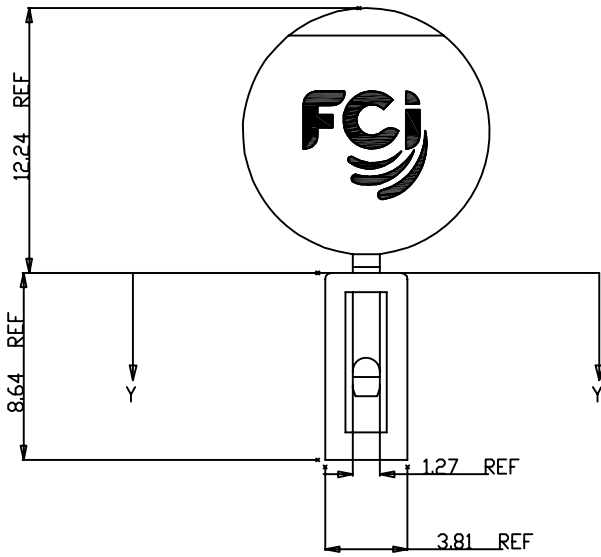
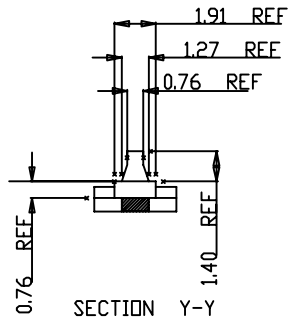
Address: A1208, Overseas Decoration Building, #122 Zhenhua RD., Futian, Shenzhen, China



This document is the property of and embodies CONFIDENTIAL and PROPRIETARY information of FCI. No part of the information shown on this document may be used in any way or disclosed to others without the written consent of FCI. Copyright FCI.



PRODUCT NO  
SEE TABLE



NOTES:  
 1.MAT'L SEE TABLE.  
 2.COLOR:SEE TABLE.  
 3.PART NUMBERS WITH LF IN THE END ARE LEAD FREE.

STYLE A

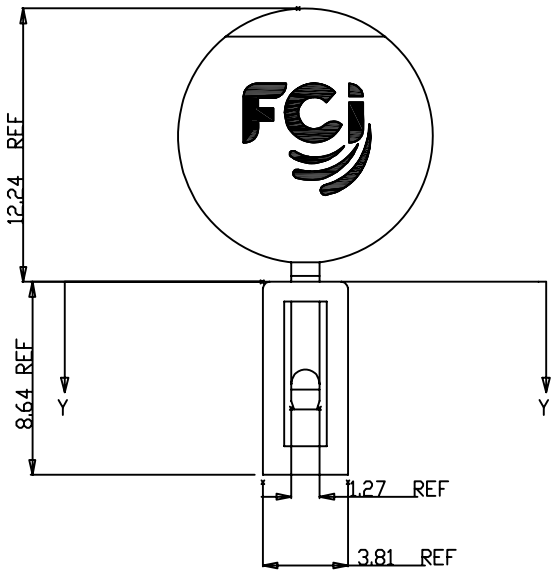
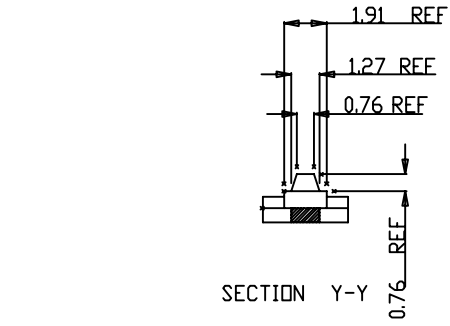
TOLERANCES UNLESS OTHERWISE SPECIFIED

LINEAR	0.X	±0.3
	0.XX	±0.10
	0.XXX	±0.050
ANGULAR	0°	±2°

Mark with 66423B REV. in area indicated by X....			
rev	ecn no	dr	date
D	V10391	JWB	3/2/91
E	N06-0088	LONG	4/06/06
F	N06-0282	WG	11/8/06
G	ELX-N-20526	TIM	2015-03-24

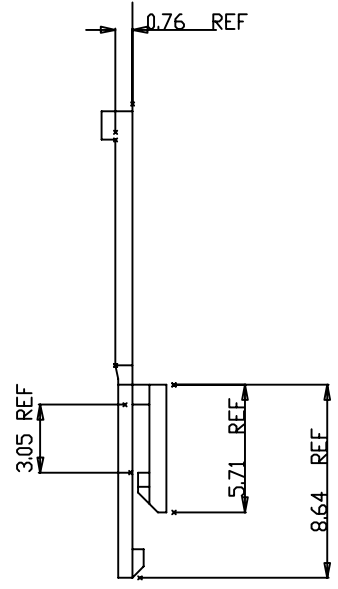
Material	-	Spec ref	
Mat code	-	surface	<input checked="" type="checkbox"/>
Heatreat	-	tolerance	
Plating/Finish	-	projection	
Dr	J.M.BAIR	3/2/91	size A4
Eng	M.C.SMYK	3/2/91	Scale 3.000
Chr	M.C.SMYK	3/2/91	Product family QUICKIE
Appr	M.C.SMYK	3/2/91	Model Name 66423
			Model Revision -
			REL Level
	title	HEADER POLARIZING KEY	
Pro/E file	catalog no	dwg no	66423
			Rev. G
		CUSTOMER	sheet 1 of 2

This document is the property of and embodies CONFIDENTIAL and PROPRIETARY information of FCI. No part of the information shown on this document may be used in any way or disclosed to others without the written consent of FCI. Copyright FCI.



STYLE B

PRODUCT NO	STYLE	COLOR	MATERIAL NO
66423-001/-001LF	A	BLUE	16-508-069 OR 16-508-131
66423-002/-002LF	B	BLUE	
66423-003/-003LF	A	BLACK	16-508-113
66423-004/004LF	B	BLACK	16-508-102
66423-005/005LF	A	BEIGE	16-508-114
66423-006/-006LF	B	BEIGE	16-508-115



Material	-	Spec ref		
Mat code	-	surface	✓	tolerance
Heatreat	-	projection	⊕	MM
Plating/Finish	-	size	A4	Scale 3.000
Dr	J.M.BAIR	3/2/91	Product family	-
Eng	M.C.SMYK	3/2/91	Model Name	66423b
Chr	M.C.SMYK	3/2/91	Model Revision	-
Appr	M.C.SMYK	3/2/91	REL Level	
	title	HEADER POLARIZING KEY		Rev. G
Pro/E file	catalog no	-	CUSTOMER	sheet 2 of 2

REV F: 66423-001