



Chipsmall Limited consists of a professional team with an average of over 10 year of expertise in the distribution of electronic components. Based in Hongkong, we have already established firm and mutual-benefit business relationships with customers from,Europe,America and south Asia,supplying obsolete and hard-to-find components to meet their specific needs.

With the principle of “Quality Parts,Customers Priority,Honest Operation,and Considerate Service”,our business mainly focus on the distribution of electronic components. Line cards we deal with include Microchip,ALPS,ROHM,Xilinx,Pulse,ON,Everlight and Freescale. Main products comprise IC,Modules,Potentiometer,IC Socket,Relay,Connector.Our parts cover such applications as commercial,industrial, and automotives areas.

We are looking forward to setting up business relationship with you and hope to provide you with the best service and solution. Let us make a better world for our industry!



Contact us

Tel: +86-755-8981 8866 Fax: +86-755-8427 6832

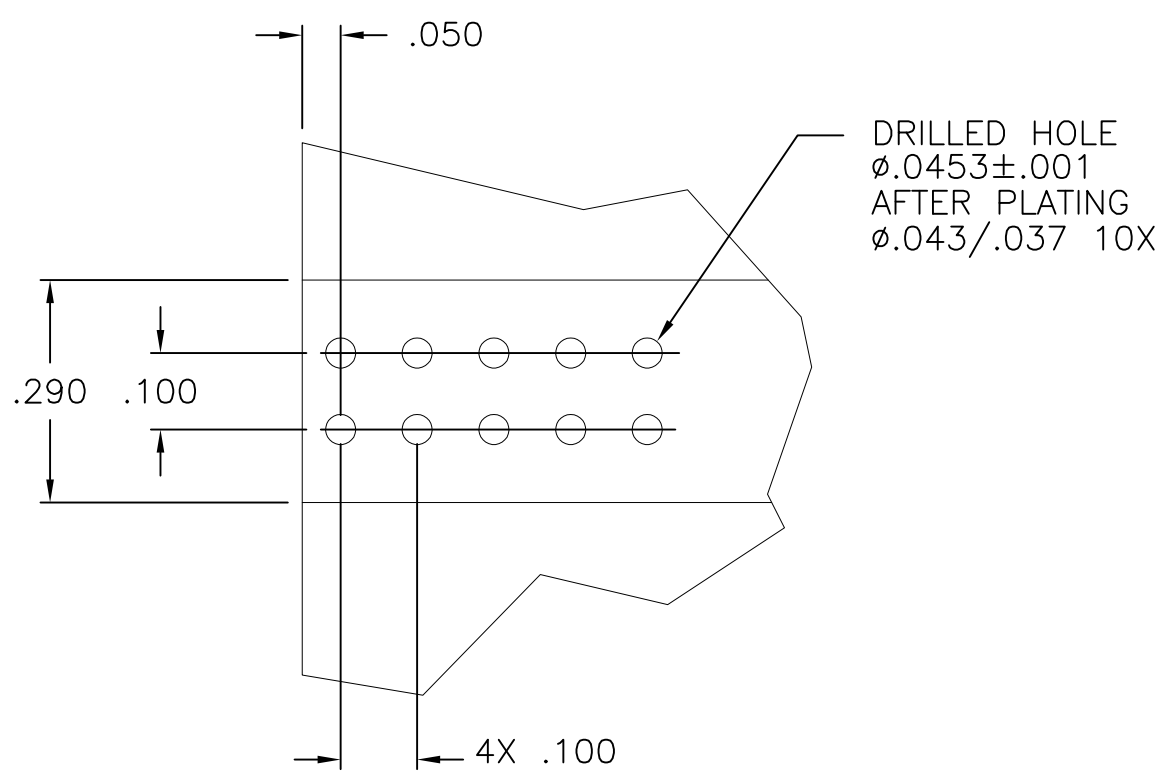
Email & Skype: info@chipsmall.com Web: www.chipsmall.com

Address: A1208, Overseas Decoration Building, #122 Zhenhua RD., Futian, Shenzhen, China

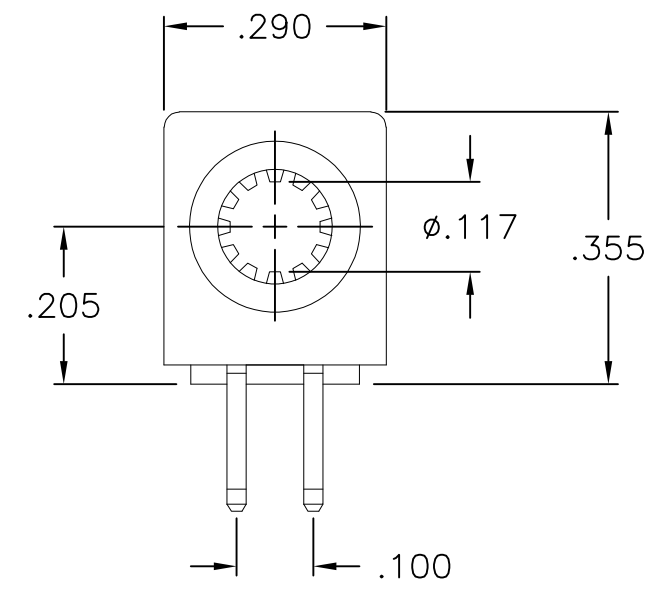
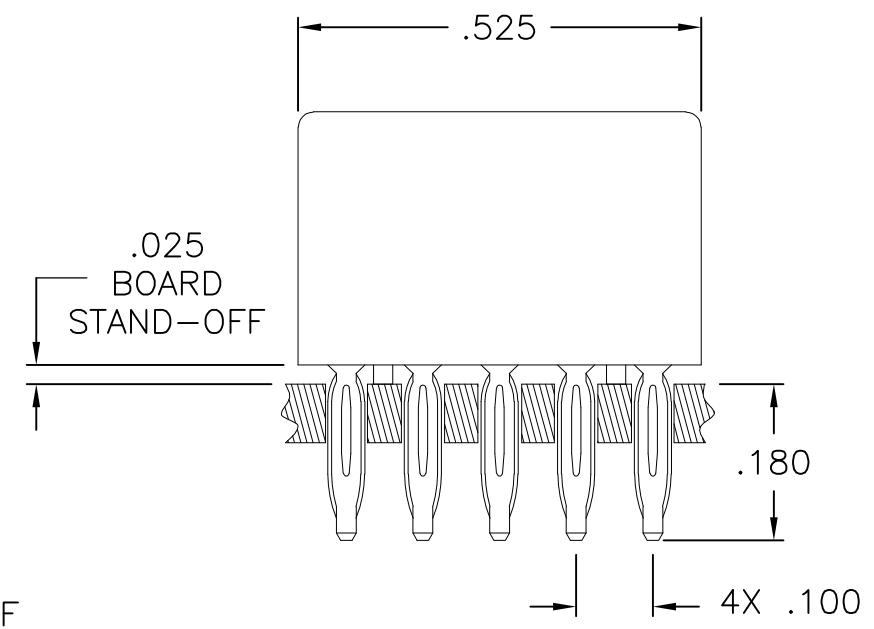


THIS DRAWING IS UNPUBLISHED. RELEASED FOR PUBLICATION
 © COPYRIGHT BY TYCO ELECTRONICS CORPORATION. ALL RIGHTS RESERVED.

LOC	DIST	REVISIONS					
GP	00	P	LTR	DESCRIPTION	DATE	DWN	APVD
			C	REV PER ECO-08-005464	13MAR08	RG	DO



SUGGESTED BOARD LAYOUT



- PART NUMBER CHANGES AND/OR DESIGN CHANGES AFFECTING ITEM INTERCHANGEABILITY REQUIRE PRIOR TYCO ELECTRONICS APPROVAL AND AUTHORIZATION BY REVISION TO THIS DRAWING.
- ITEMS PROVIDED TO THIS SPECIFICATION SHALL BE IDENTIFIED ON THE CONTAINER WITH THE PART NUMBER AND DATE CODE OF MANUFACTURE.
- MATERIALS:
 INSULATOR – POLYESTER, GLASS FILLED, UL 94V-0 RATED, COLOR BLACK
 CROWN CONTACT – COPPER ALLOY.
 CONTACT BODY – PHOSPHOR BRONZE
- FINISHES:
 CROWN CONTACT – GOLD PLATE .000030 MIN THK. OVER NICKEL .000050 MIN THK.
 CONTACT BODY – SILVER PLATE .000100 MIN THK. OVER NICKEL .000050 MIN THK.

AS SHOWN	6643220-1
DESCRIPTION	PART NO.

THIS DRAWING IS A CONTROLLED DOCUMENT.		DWN R.GRZYBOWSKI 03DEC2007	Tyco Electronics Corporation Harrisburg, PA 17105-3608	
DIMENSIONS: INCHES		CHK S.FLICKINGER 11DEC07	NAME	
TOLERANCES UNLESS OTHERWISE SPECIFIED:		APVD S.FLICKINGER 11DEC07	CONNECTION, SOCKET, SLIMLINE PARALLEL PIN, COMPLIANT TAIL ICCON	
MATERIAL		PRODUCT SPEC	SIZE	CAGE CODE
FINISH		APPLICATION SPEC	A3	00779
		WEIGHT	DRAWING NO	
			C-6643220	
		CUSTOMER DRAWING		RESTRICTED TO
		SCALE	SHEET	REV
		4:1	1 OF 1	C