



Chipsmall Limited consists of a professional team with an average of over 10 year of expertise in the distribution of electronic components. Based in Hongkong, we have already established firm and mutual-benefit business relationships with customers from,Europe,America and south Asia,supplying obsolete and hard-to-find components to meet their specific needs.

With the principle of “Quality Parts,Customers Priority,Honest Operation,and Considerate Service”,our business mainly focus on the distribution of electronic components. Line cards we deal with include Microchip,ALPS,ROHM,Xilinx,Pulse,ON,Everlight and Freescale. Main products comprise IC,Modules,Potentiometer,IC Socket,Relay,Connector.Our parts cover such applications as commercial,industrial, and automotives areas.

We are looking forward to setting up business relationship with you and hope to provide you with the best service and solution. Let us make a better world for our industry!



## Contact us

Tel: +86-755-8981 8866 Fax: +86-755-8427 6832

Email & Skype: info@chipsmall.com Web: www.chipsmall.com

Address: A1208, Overseas Decoration Building, #122 Zhenhua RD., Futian, Shenzhen, China



4

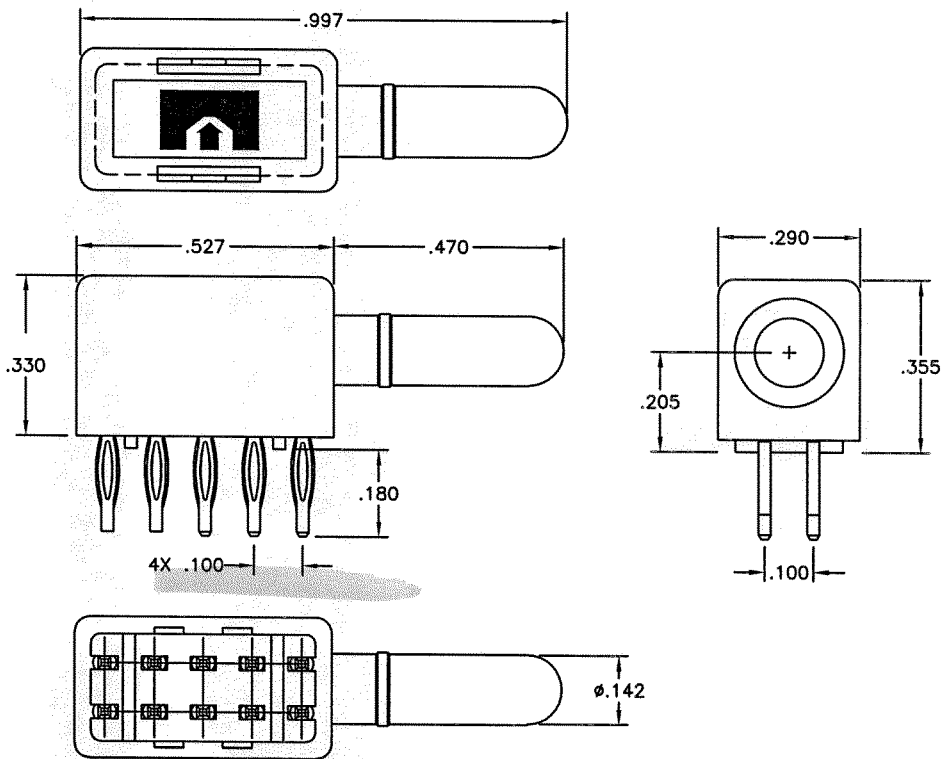
3

2

1

This drawing involves proprietary design rights of Tyco Electronics Corporation, and all design, manufacture, reproduction, use and sale rights regarding the same are expressly reserved. It is submitted for a specific purpose and the recipient by accepting this drawing, assumes custody and control and agrees to take reasonable precautions: (a) that this drawing will not be copied and reproduced in whole or in part, or its contents revealed in any manner, or to any person except to meet the purpose for which it was delivered and (b) that any special features peculiar to this design will not be incorporated in other projects without the expressed written permission of Tyco Electronics Corporation.

REVISIONS			
EC	REV	DESCRIPTION	DATE
	A	NEW RELEASE	07.29.05



6. REFERENCE TYCO ASSEMBLY PART NUMBER 6643223-1

⚠ A FIVE-POUND (5lb) FORCE REQUIRED TO CORRECTLY SEAT THE CONNECTOR WITH PLATED THRU HOLES LESS THAN  $\phi$ .040 INCH.

4. FINISH:

- CROWN HOLDER - SILVER PLATED
- CROWN - GOLD PLATED
- PIN CONTACT - SILVER PLATED

3. MATERIAL:

- INSULATOR - POLYESTER, GLASS FILLED, UL 94 V-0 RATED, COLOR-BLACK
- CROWN HOLDER - PHOSPHOR BRONZE
- CROWN - BECU
- PIN CONTACT - BRASS

2. ITEMS PROVIDED TO THIS SPECIFICATION SHALL BE IDENTIFIED ON CONTAINER WITH THE FOLLOWING INFORMATION PART NUMBER AND DATE CODE OF MANUFACTURE.

1. PART NUMBER CHANGES AND/OR DESIGN CHANGES AFFECTING ITEM INTERCHANGEABILITY REQUIRE PRIOR TYCO APPROVAL AND AUTHORIZATION BY REVISION TO THIS DRAWING.

NOTES: UNLESS OTHERWISE SPECIFIED

<small>INCH OR INCH (MM)</small>  <small>THIRD ANGLE PROJECTION</small> <small>UNLESS OTHERWISE SPECIFIED DIMENSIONS ARE IN INCHES (METRIC)</small> <small>TOLERANCES</small> <small>ANGLES ± .5°</small> <small>DECIMALS</small> <small>.XXX ±.020 [.508]</small> <small>.XX ±</small>	<small>DRAWN</small> RHM/LOVATO <small>CHECKED</small>	<small>DATE</small> 07.29.05	 <small>Tyco Electronics Corporation</small> <small>Menlo Park, Ca 94025</small> 	<small>TITLE</small> PARALLEL PIN, SLIMLINE ICCON COMPLIANT, LOCKING, .470 PIN EXT	<small>REV.</small> A
	<small>APPROVED</small>	<small>SIZE</small> DWG NUMBER B C=6643223			
	<small>APPROVED</small>				
	<small>DCA APPROVED</small>				
<small>ACAD FILE NUMBER</small> C6643223A.DWG	<small>DWG SCALE</small> 4=1	<small>SH</small> 1 OF 2			

4

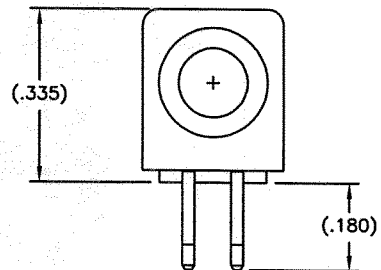
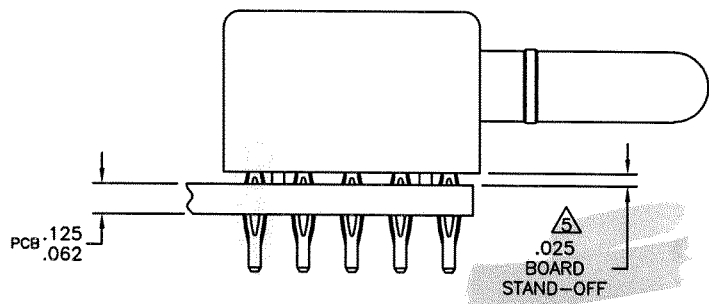
3

2

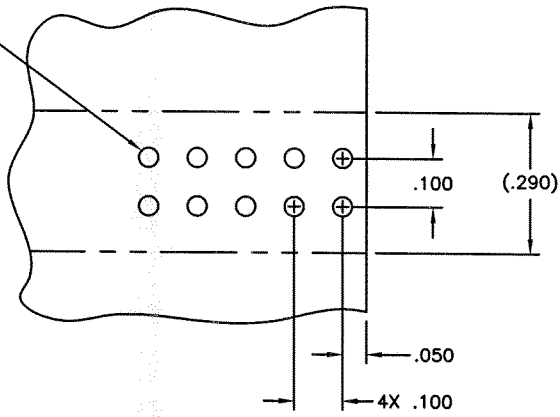
1

This drawing involves proprietary design rights of Tyco Electronics Corporation, and all design, manufacture, reproduction, use and sale rights regarding the same are expressly reserved. It is submitted for a specific purpose and the recipient by accepting this drawing, assumes custody and control and agrees to take reasonable precautions; (a) that this drawing will not be copied and reproduced in whole or in part, or its contents revealed in any manner, or to any person except to meet the purpose for which it was delivered and (b) that any special features peculiar to this design will not be incorporated in other projects without the expressed written permission of Tyco Electronics Corporation.

REVISIONS			
EC	REV	DESCRIPTION	DATE
		SEE SHEET 1	



DRILLED HOLE DIAMETER  
.0453 ± .001  
AFTER PLATING  
ø.043/.037 10X



SUGGESTED PCB FOOTPRINT

<small>INCH OR INCH (MM)</small>  <small>THIRD ANGLE PROJECTION</small> <small>UNLESS OTHERWISE SPECIFIED DIMENSIONS ARE IN INCHES (METRIC)</small> <small>TOLERANCES</small> <small>ANGLES ± .5°</small> <small>DECIMALS</small> <small>.XXX ±.020 [508]</small> <small>.XX ±</small>	<small>DRAWN</small> RHM/LOVATO	<small>DATE</small> 07.29.05	 Tyco Electronics Corporation Mentor Park, Ca 94025 
	<small>CHECKED</small>	<small>TITLE</small> <b>PARALLEL PIN, SLIMLINE ICCON COMPLIANT, LOCKING, .470 PIN EXT</b>	
	<small>APPROVED</small>	<small>SIZE DWG NUMBER</small> <b>B C= 6643223</b>	
	<small>APPROVED</small>	<small>REV.</small> A	
<small>ACAD FILE NUMBER</small> C6643223A.DWG		<small>DWG SCALE</small> 4=1	<small>SH 2 OF 2</small>