



Chipsmall Limited consists of a professional team with an average of over 10 year of expertise in the distribution of electronic components. Based in Hongkong, we have already established firm and mutual-benefit business relationships with customers from,Europe,America and south Asia,supplying obsolete and hard-to-find components to meet their specific needs.

With the principle of “Quality Parts,Customers Priority,Honest Operation,and Considerate Service”,our business mainly focus on the distribution of electronic components. Line cards we deal with include Microchip,ALPS,ROHM,Xilinx,Pulse,ON,Everlight and Freescale. Main products comprise IC,Modules,Potentiometer,IC Socket,Relay,Connector.Our parts cover such applications as commercial,industrial, and automotives areas.

We are looking forward to setting up business relationship with you and hope to provide you with the best service and solution. Let us make a better world for our industry!



Contact us

Tel: +86-755-8981 8866 Fax: +86-755-8427 6832

Email & Skype: info@chipsmall.com Web: www.chipsmall.com

Address: A1208, Overseas Decoration Building, #122 Zhenhua RD., Futian, Shenzhen, China



4

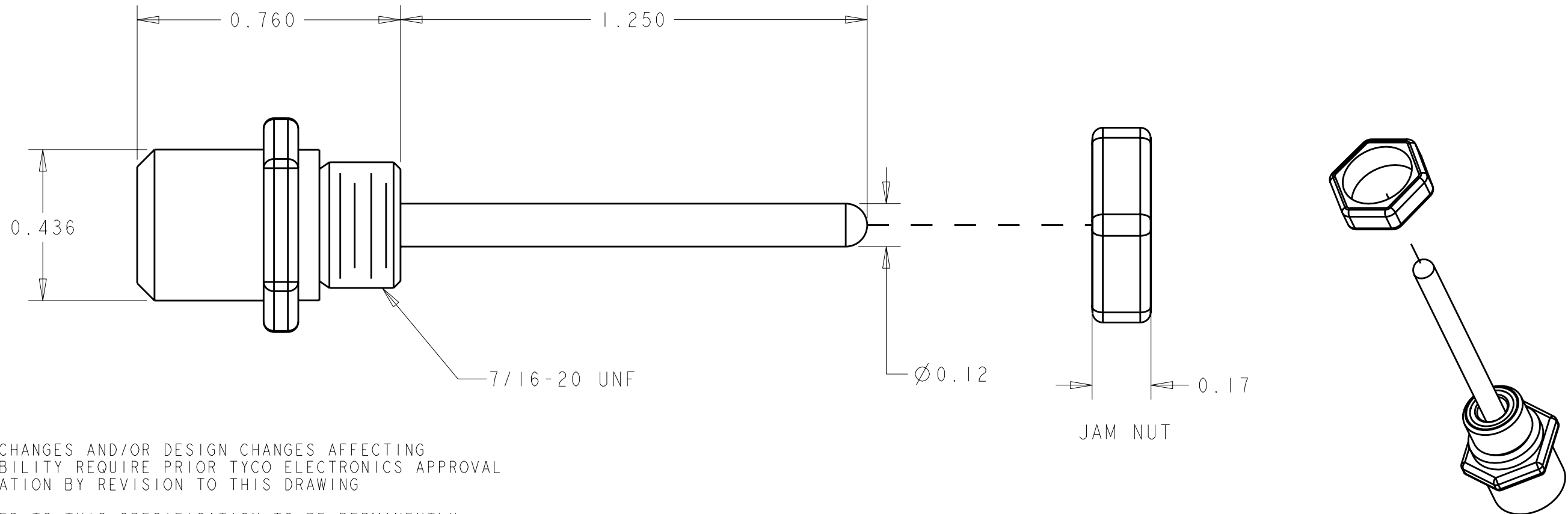
3

2

1

THIS DRAWING IS UNPUBLISHED. RELEASED FOR PUBLICATION 20
 © COPYRIGHT 20 BY TYCO ELECTRONICS CORPORATION. ALL RIGHTS RESERVED.

LOC	DIST	REVISIONS			
P	LTR	DESCRIPTION	DATE	DWN	APVD
-	-	A	NEW RELEASE	28OCT2008	CR DO



- PART NUMBER CHANGES AND/OR DESIGN CHANGES AFFECTING INTERCHANGEABILITY REQUIRE PRIOR TYCO ELECTRONICS APPROVAL AND AUTHORIZATION BY REVISION TO THIS DRAWING
- ITEMS PROVIDED TO THIS SPECIFICATION TO BE PERMANENTLY IDENTIFIED PER THE FOLLOWING IDENTIFIER LABEL

TYCO ELECTRONICS P/N: XXXXXXXX-X
 DATE CODE (e.g. 0106): YEAR WEEK
 XXXX

SCALE 3:2

3 MATERIALS: PIN HOUSING: COPPER ALLOY
 CONTACT: COPPER ALLOY
 JAM NUT: COPPER ALLOY
 BUSHING: COPPER ALLOY
 CROWN BAND: COPPER ALLOY

4 FINISHES: PIN HOUSING: SILVER PLT: .000200/.000300 THK OVER
 NICKEL PLT: .000040 MIN THK
 CONTACT: SILVER PLT: .000200/.000300 THK OVER
 NICKEL PLT: .000040 MIN THK
 JAM NUT: SILVER PLT: .000100/.000200 THK OVER
 NICKEL PLT: .000040 MIN THK
 BUSHING: NICKEL PLT: .000040 MIN THK
 CROWN BAND: GOLD: .000040 MIN THK OVER
 NICKEL PLT: .000050 THK

THIS DRAWING IS A CONTROLLED DOCUMENT FOR TYCO ELECTRONICS CORPORATION
 IT IS SUBJECT TO CHANGE AND THE CONTROLLING ENGINEERING ORGANIZATION
 SHOULD BE CONTACTED FOR THE LATEST REVISION.

DIMENSIONS: INCHES	TOLERANCES UNLESS OTHERWISE SPECIFIED:
	0 PLC ±-
	1 PLC ±-
	2 PLC ±.02
	3 PLC ±.010
	4 PLC ±-
	ANGLES ±.5
MATERIAL	FINISH
3	4

DWN	28OCT2008
CHK	C. ROHLER
APVD	28OCT2008
APVD	D. ORRIS
APVD	M. PERCHERKE
PRODUCT SPEC	-
APPLICATION SPEC	-
WEIGHT	-
CUSTOMER DRAWING	

AS SHOWN	6643252-1
DESCRIPTION	PART NO.
Tyco Electronics Harrisburg, PA 17105-3608	
NAME: PIN, FLOAT SHORT VERSION ICCON	
SIZE: A3	CAGE CODE: 00779
DRAWING NO: C-6643252	RESTRICTED TO: -
SCALE: 3:1	SHEET 1 OF 1 REV A