



Chipsmall Limited consists of a professional team with an average of over 10 year of expertise in the distribution of electronic components. Based in Hongkong, we have already established firm and mutual-benefit business relationships with customers from,Europe,America and south Asia,supplying obsolete and hard-to-find components to meet their specific needs.

With the principle of “Quality Parts,Customers Priority,Honest Operation,and Considerate Service”,our business mainly focus on the distribution of electronic components. Line cards we deal with include Microchip,ALPS,ROHM,Xilinx,Pulse,ON,Everlight and Freescale. Main products comprise IC,Modules,Potentiometer,IC Socket,Relay,Connector.Our parts cover such applications as commercial,industrial, and automotives areas.

We are looking forward to setting up business relationship with you and hope to provide you with the best service and solution. Let us make a better world for our industry!



## Contact us

Tel: +86-755-8981 8866 Fax: +86-755-8427 6832

Email & Skype: info@chipsmall.com Web: www.chipsmall.com

Address: A1208, Overseas Decoration Building, #122 Zhenhua RD., Futian, Shenzhen, China



4

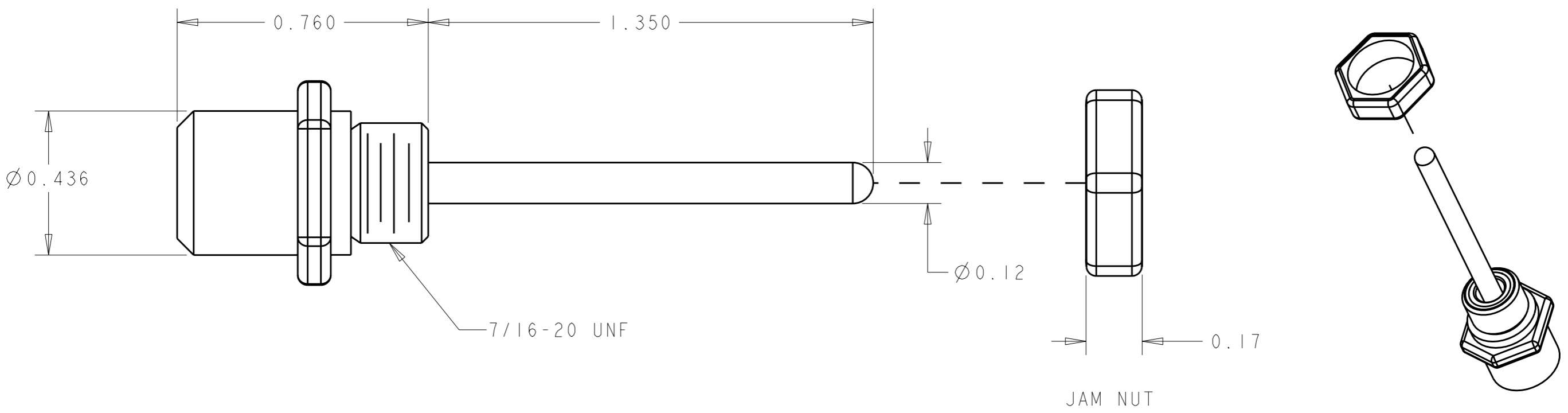
3

2

1

THIS DRAWING IS UNPUBLISHED. RELEASED FOR PUBLICATION 20  
 © COPYRIGHT 20 BY TYCO ELECTRONICS CORPORATION. ALL RIGHTS RESERVED.

LOC	DIST	REVISIONS			
P	LTR	DESCRIPTION	DATE	DWN	APVD
-	-	A	NEW RELEASE	28OCT2008	CR DO



- PART NUMBER CHANGES AND/OR DESIGN CHANGES AFFECTING INTERCHANGEABILITY REQUIRE PRIOR TYCO ELECTRONICS APPROVAL AND AUTHORIZATION BY REVISION TO THIS DRAWING
- ITEMS PROVIDED TO THIS SPECIFICATION TO BE PERMANENTLY IDENTIFIED PER THE FOLLOWING IDENTIFIER LABEL

TYCO ELECTRONICS P/N: XXXXXXXX-X  
 DATE CODE (e.g. 0106): YEAR WEEK  
 XXXX

3 MATERIALS: PIN HOUSING: COPPER ALLOY  
 CONTACT: COPPER ALLOY  
 JAM NUT: COPPER ALLOY  
 BUSHING: COPPER ALLOY  
 CROWN BAND: COPPER ALLOY

4 FINISHES: PIN HOUSING: SILVER PLT: .000200/.000300 THK OVER  
 NICKEL PLT: .000040 MIN THK  
 CONTACT: SILVER PLT: .000200/.000300 THK OVER  
 NICKEL PLT: .000040 MIN THK  
 JAM NUT: SILVER PLT: .000100/.000200 THK OVER  
 NICKEL PLT: .000040 MIN THK  
 BUSHING: NICKEL PLT: .000040 MIN THK  
 CROWN BAND: GOLD: .000040 MIN THK OVER  
 NICKEL PLT: .000050 THK

SCALE 3:2

AS SHOWN	6643253-1
DESCRIPTION	PART NO.

THIS DRAWING IS A CONTROLLED DOCUMENT FOR TYCO ELECTRONICS CORPORATION. IT IS SUBJECT TO CHANGE AND THE CONTROLLING ENGINEERING ORGANIZATION SHOULD BE CONTACTED FOR THE LATEST REVISION.		DWN C. ROHLER 28OCT2008	Tyco Electronics Harrisburg, PA 17105-3608	
DIMENSIONS: INCHES		CHK D. ORRIS 28OCT2008	NAME PIN, FLOAT LONG VERSION ICCON	
TOLERANCES UNLESS OTHERWISE SPECIFIED: 0 PLC ±- 1 PLC ±- 2 PLC ±.02 3 PLC ±.010 4 PLC ±- ANGLES ±.5		APVD M. PERCHERKE 28OCT2008	SIZE A3 CAGE CODE 00779 DRAWING NO C-6643253 RESTRICTED TO -	
MATERIAL - 3	FINISH - 4	PRODUCT SPEC -	SCALE 3:1 SHEET 1 OF 1 REV A	
CUSTOMER DRAWING		APPLICATION SPEC -		
		WEIGHT -		