



Chipsmall Limited consists of a professional team with an average of over 10 year of expertise in the distribution of electronic components. Based in Hongkong, we have already established firm and mutual-benefit business relationships with customers from,Europe,America and south Asia,supplying obsolete and hard-to-find components to meet their specific needs.

With the principle of “Quality Parts,Customers Priority,Honest Operation,and Considerate Service”,our business mainly focus on the distribution of electronic components. Line cards we deal with include Microchip,ALPS,ROHM,Xilinx,Pulse,ON,Everlight and Freescale. Main products comprise IC,Modules,Potentiometer,IC Socket,Relay,Connector.Our parts cover such applications as commercial,industrial, and automotives areas.

We are looking forward to setting up business relationship with you and hope to provide you with the best service and solution. Let us make a better world for our industry!



Contact us

Tel: +86-755-8981 8866 Fax: +86-755-8427 6832

Email & Skype: info@chipsmall.com Web: www.chipsmall.com

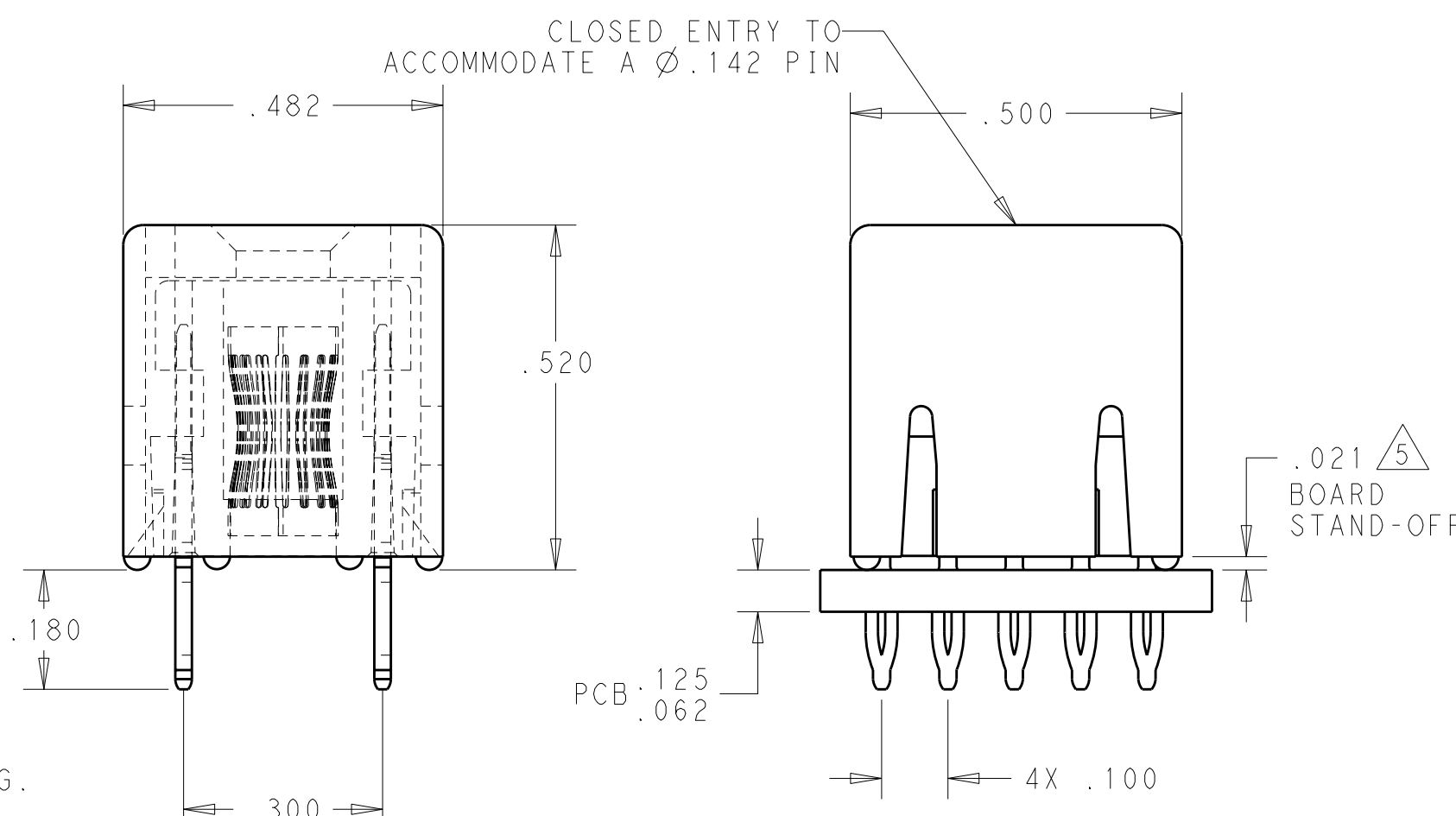
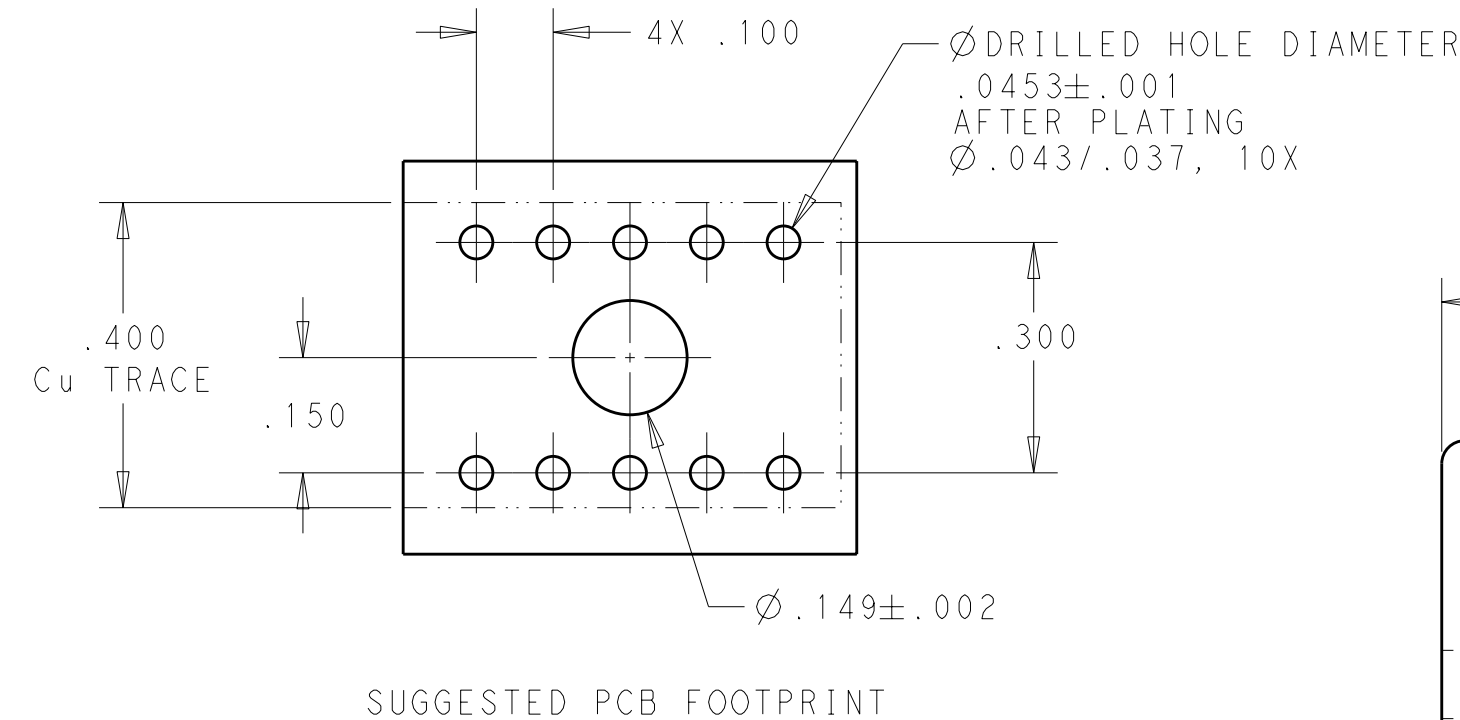
Address: A1208, Overseas Decoration Building, #122 Zhenhua RD., Futian, Shenzhen, China



LOC GP DIST 00

REVISIONS

P	LTR	DESCRIPTION	DATE	DWN	APVD
B		REV PER ECO-10-021627	24JAN2011	RG	NE
C		REV PER ECO-11-007678	03MAY2011	RG	DO



- PART NUMBER CHANGES AND/OR DESIGN CHANGES AFFECTING ITEM INTERCHANGEABILITY REQUIRE PRIOR TO ELECTRONICS APPROVAL AND AUTHORIZATION BY REVISION TO THIS DRAWING.
- ITEMS PROVIDED TO THIS SPECIFICATION SHALL BE IDENTIFIED ON THE CONTAINER WITH THE FOLLOWING INFORMATION PART NUMBER AND DATE CODE OF MANUFACTURE.
- MATERIAL:
 INSULATOR: POLYESTER, GLASS FILLED, UL 94 V-0 RATED, COLOR - BLACK
 MODULE: METAL CASTING
 CROWN: BECU
 COMPLAINT: PHOSPHOR BRONZE
- FINISH:
 MODULE: SILVER PLATED .000200 MIN THK. OVER NICKEL .000040 MIN THK
 CROWN: GOLD PLATED .000030 MIN THK. OVER NICKEL .000040 MIN THK
 COMPLIANT: SILVER PLATED .000200 MIN THK. OVER NICKEL .000040 MIN THK

5 A FIVE-POUND (5lb) FORCE REQUIRED TO CORRECTLY SEAT THE CONNECTOR WITH PLATED THRU HOLES LESS THAN Ø.040.

6643269-1
PART NUMBER

THIS DRAWING IS A CONTROLLED DOCUMENT FOR TYCO ELECTRONICS CORPORATION IT IS SUBJECT TO CHANGE AND THE CONTROLLING ENGINEERING ORGANIZATION SHOULD BE CONTACTED FOR THE LATEST REVISION.		DWN LOVATO 08/05/05	Tyco Electronics Corporation Harrisburg, PA 17105-3608	
DIMENSIONS: INCHES	TOLERANCES UNLESS OTHERWISE SPECIFIED: 0 PLC ±. 1 PLC ±. 2 PLC ±. 3 PLC ±.020 4 PLC ±. ANGLES ±.5	CHK -	NAME IC CON SOCKET, PERPENDICULAR 10 PIN FOOTPRINT WITH COMPLIANT PIN	
		APVD D. CHAU 12/02/05	-	
MATERIAL -	FINISH -	PRODUCT SPEC -	SIZE A3	CAGE CODE 00779
		APPLICATION SPEC -	DRAWING NO C-6643269	RESTRICTED TO -
		WEIGHT -	CUSTOMER DRAWING	
		SCALE 4:1		SHEET 1 OF 1
				REV C